



Artisan Technology Group is your source for quality new and certified-used/pre-owned equipment

- FAST SHIPPING AND DELIVERY
- TENS OF THOUSANDS OF IN-STOCK ITEMS
- EQUIPMENT DEMOS
- HUNDREDS OF MANUFACTURERS SUPPORTED
- LEASING/MONTHLY RENTALS
- ITAR CERTIFIED SECURE ASSET SOLUTIONS

SERVICE CENTER REPAIRS

Experienced engineers and technicians on staff at our full-service, in-house repair center

*InstraView*SM REMOTE INSPECTION

Remotely inspect equipment before purchasing with our interactive website at www.instraview.com ↗

WE BUY USED EQUIPMENT

Sell your excess, underutilized, and idle used equipment. We also offer credit for buy-backs and trade-ins. www.artisanng.com/WeBuyEquipment ↗

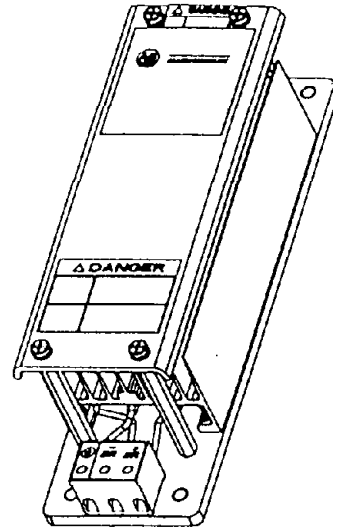
LOOKING FOR MORE INFORMATION?

Visit us on the web at www.artisanng.com ↗ for more information on price quotations, drivers, technical specifications, manuals, and documentation

Contact us: (888) 88-SOURCE | sales@artisanng.com | www.artisanng.com



Dynamic Brake Module

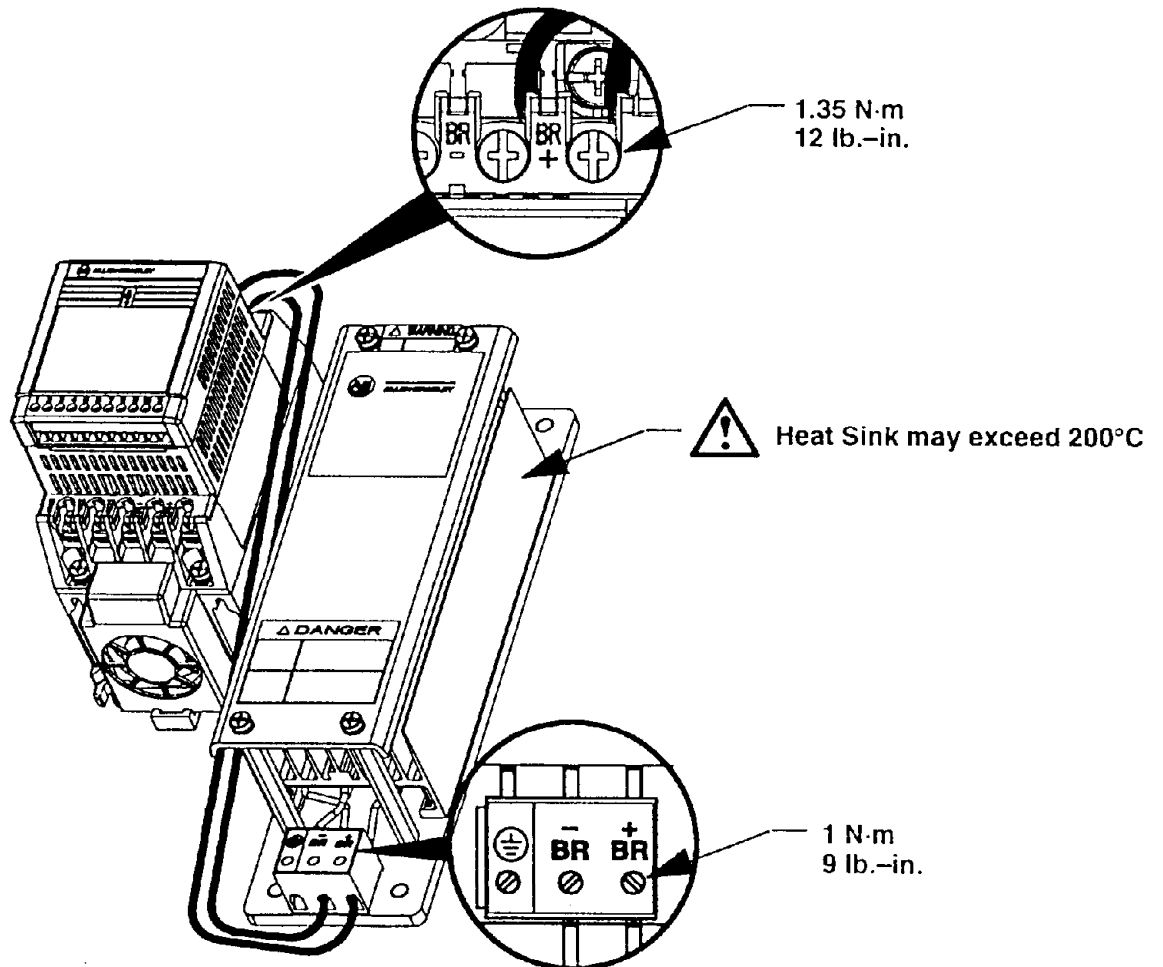


(Cat 160-BMA1, -BMA2, -BMB1, -BMB2)

Installation



ATTENTION: To prevent electrical shock, disconnect from power source before installing or servicing.



Controller Rating KW (HP)	200 – 240 VAC (3Ø and 1Ø)				380 – 460 VAC (3Ø)			
	Estimated Braking Torque ¹	Allowable Braking Duty Cycle ²	DB Resistance (Ω)	Maximum Power ³ (Watts)	Estimated Braking Torque ¹	Allowable Braking Duty Cycle ²	DB Resistance (Ω)	Maximum Power ³ (Watts)
.35 (.5)	300%	5%	188	60	300%	5%	755	60
.55 (.75)	230%	5%	188	60	230%	5%	755	60
.75 (1)	200%	5%	188	60	200%	5%	755	60
1.5 (2)	150%	5%	94	120	150%	5%	377	120
2.2 (3)	115%	5%	94	120	115%	5%	377	120

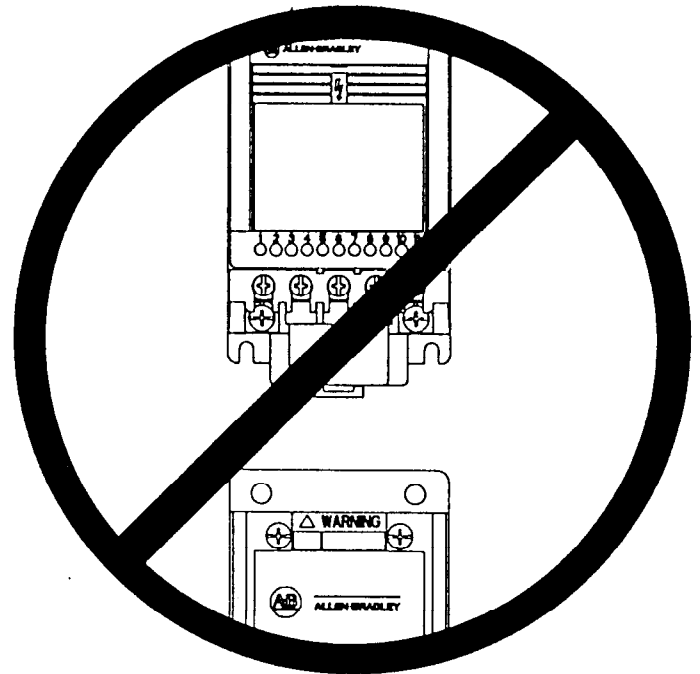
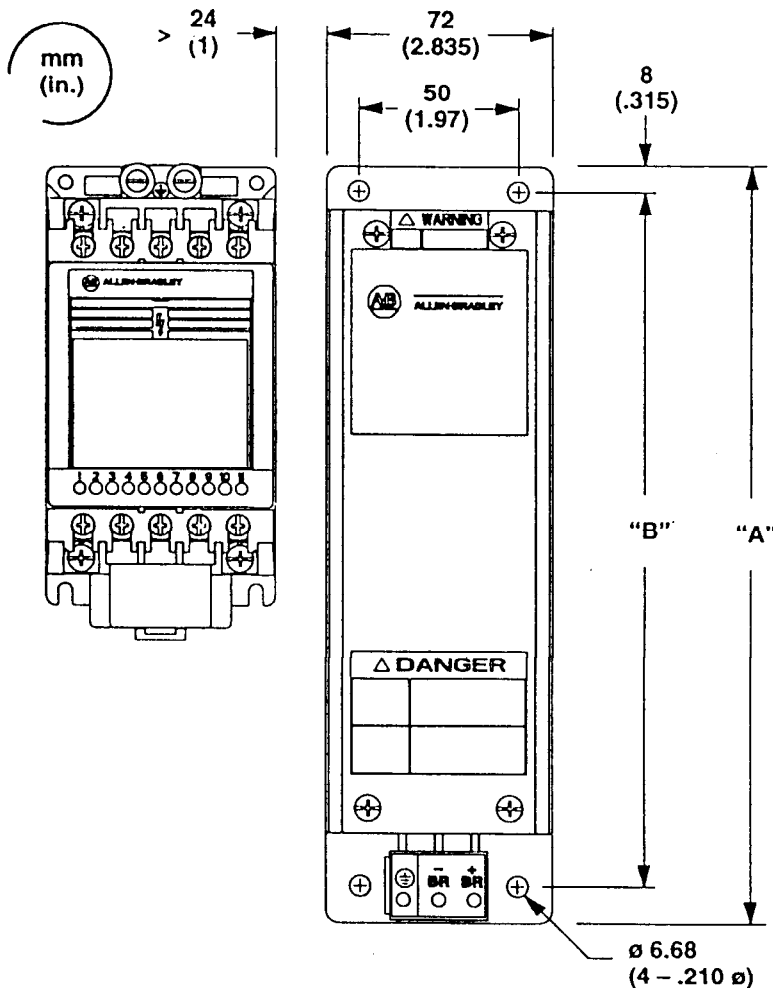
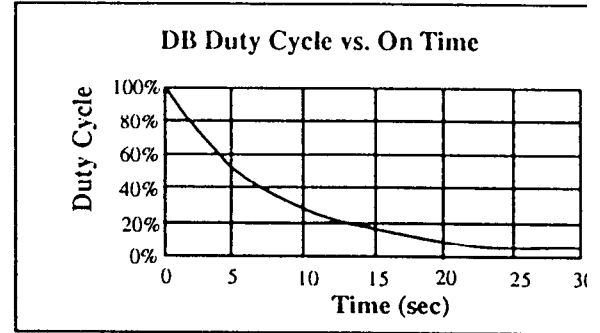
¹ Exact value will depend on motor characteristics and deceleration ramp setup

² Self-Limited by Controller

³ Select wire rating to match input current of Bul. 160 Smart Speed Controller

Operation:

The dynamic brake module provides increased braking torque and thus allows faster deceleration. To limit excessive power loss, the dynamic brake module is designed to operate for a maximum of 5 seconds out of 100 seconds (5% duty cycle). To simplify setup and use, the dynamic brake module is limited internally by the SSC™ Controller as shown on the graph at right. The SSC™ Controller will provide full (100% duty) braking when first used. If the brake continues to be stressed the SSC™ Controller will limit its power by decreasing the duty cycle applied to it. Eventually the SSC™ Controller will provide approximately 5% duty to the dynamic brake module. When braking is stopped the SSC™ Controller will reset itself, modeling the cooling of the dynamic brake module. This can take up to ten minutes if the brake module is driven to the 5% level.



CAT	"A"	"B"
160-BMA1	245	225
160-BMB1	(9.64)	(8.86)
160-BMA2	334	314
160-BMB2	(13.15)	(12.36)



Artisan Technology Group is your source for quality new and certified-used/pre-owned equipment

- FAST SHIPPING AND DELIVERY
- TENS OF THOUSANDS OF IN-STOCK ITEMS
- EQUIPMENT DEMOS
- HUNDREDS OF MANUFACTURERS SUPPORTED
- LEASING/MONTHLY RENTALS
- ITAR CERTIFIED SECURE ASSET SOLUTIONS

SERVICE CENTER REPAIRS

Experienced engineers and technicians on staff at our full-service, in-house repair center

*InstraView*SM REMOTE INSPECTION

Remotely inspect equipment before purchasing with our interactive website at www.instraview.com ↗

WE BUY USED EQUIPMENT

Sell your excess, underutilized, and idle used equipment. We also offer credit for buy-backs and trade-ins. www.artisanng.com/WeBuyEquipment ↗

LOOKING FOR MORE INFORMATION?

Visit us on the web at www.artisanng.com ↗ for more information on price quotations, drivers, technical specifications, manuals, and documentation

Contact us: (888) 88-SOURCE | sales@artisanng.com | www.artisanng.com