



Artisan Technology Group is your source for quality new and certified-used/pre-owned equipment

- FAST SHIPPING AND DELIVERY
- TENS OF THOUSANDS OF IN-STOCK ITEMS
- EQUIPMENT DEMOS
- HUNDREDS OF MANUFACTURERS SUPPORTED
- LEASING/MONTHLY RENTALS
- ITAR CERTIFIED SECURE ASSET SOLUTIONS

SERVICE CENTER REPAIRS

Experienced engineers and technicians on staff at our full-service, in-house repair center

*InstraView*SM REMOTE INSPECTION

Remotely inspect equipment before purchasing with our interactive website at www.instraview.com ↗

WE BUY USED EQUIPMENT

Sell your excess, underutilized, and idle used equipment. We also offer credit for buy-backs and trade-ins. www.artisanng.com/WeBuyEquipment ↗

LOOKING FOR MORE INFORMATION?

Visit us on the web at www.artisanng.com ↗ for more information on price quotations, drivers, technical specifications, manuals, and documentation

Contact us: (888) 88-SOURCE | sales@artisanng.com | www.artisanng.com

REPAIR PART LISTING for MODELS TMAD1 AND TMAD2 ANGLE WRENCH CONTROLLER CABINETS for DC ELECTRIC TORQUE MANAGEMENT SYSTEMS

NOTICE

SAVE THESE INSTRUCTIONS. DO NOT DESTROY.

⚠ WARNING

READ ALL INSTRUCTIONS BEFORE OPERATING THIS UNIT.

Electrical repairs should be attempted only by authorized trained repair person. Consult your service center listing for your nearest Ingersoll-Rand authorized service center.

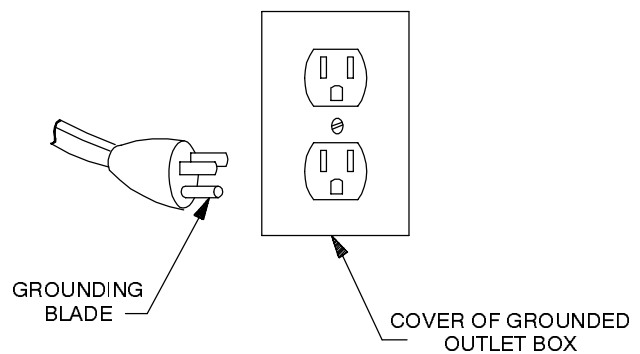
For safe operation, the following procedure must be followed:

1. **Keep work area clean.**
Cluttered areas and benches invite injuries.
2. **Consider work area environment.**
Don't expose the Controller to water.
Keep the work area well lighted.
3. **Guard against electric shock.**
Prevent body contact with grounded surfaces, such as pipes, metal structures or other electrical products.
4. **Keep bystanders away.**
Do not permit unauthorized personnel to operate this Controller.
5. **Store idle tools.**
When not in use, the Controller should be stored in a dry and secured area.
6. **Don't abuse the cord.**
Never carry a Controller by its cord or yank the cord of the Controller to disconnect it from a receptacle.
Keep the cord away from heat, oil, solvent and sharp edges.
7. **Maintain Controller with care.**
Inspect Controller cord periodically and if damaged, have it repaired by an authorized service facility.

⚠ WARNING

GROUNDING INSTRUCTIONS

The Controller should be grounded while in use to protect the operator from electric shock. The Controller is equipped with a three-conductor cord and three-prong grounding-type plug to fit the proper grounding-type receptacle. The green (or green and yellow) conductor in the cord is the grounding wire. Never connect the green (or green and yellow) wire to a live terminal. Your unit is to be used on a 115 VAC, 60Hz, three prong outlet as shown. **DO NOT** use the unit with a two prong plug outlet and an adapter. Always check that your ground is operating properly on the outlet by a qualified electrician before using the unit.



(Dwg. TPD1501)

⚠ WARNING

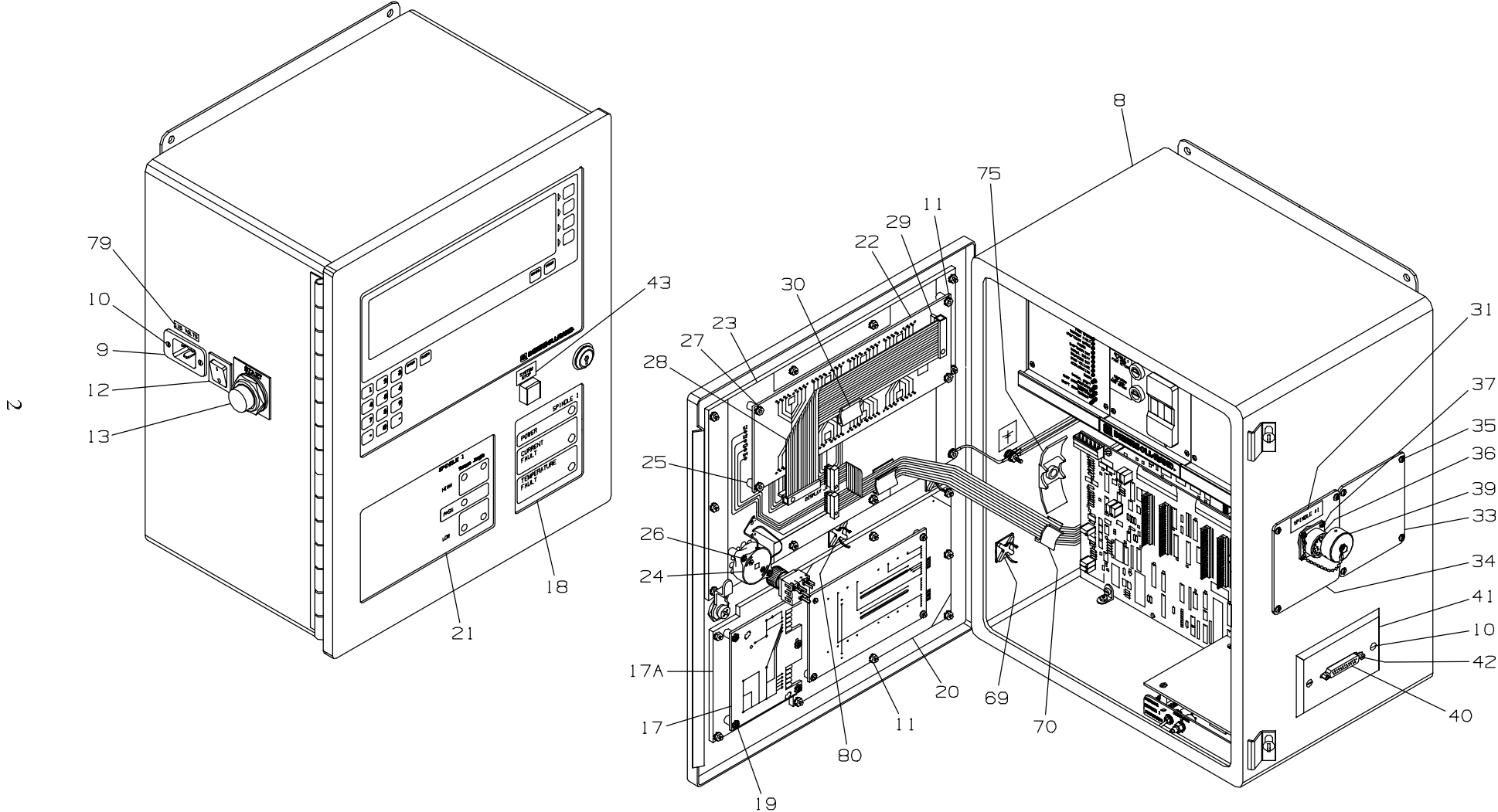
Use only three-wire extension cords that have three-prong grounding-type plugs and three-pole receptacles that accept the Controller's plug. Replace or repair damaged cords.

The use of other than genuine Ingersoll-Rand replacement parts may result in decreased tool performance and increased maintenance, and may invalidate all warranties.

INGERSOLL-RAND®

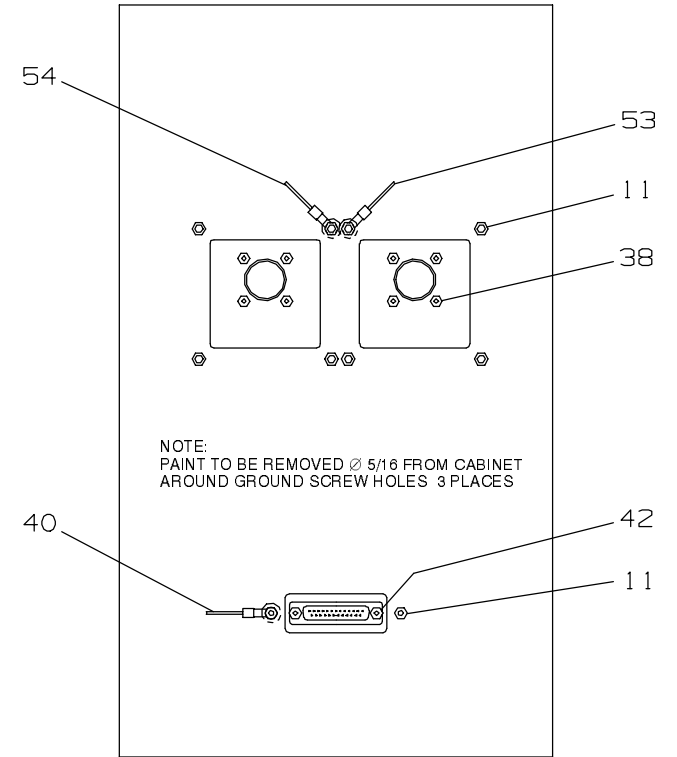
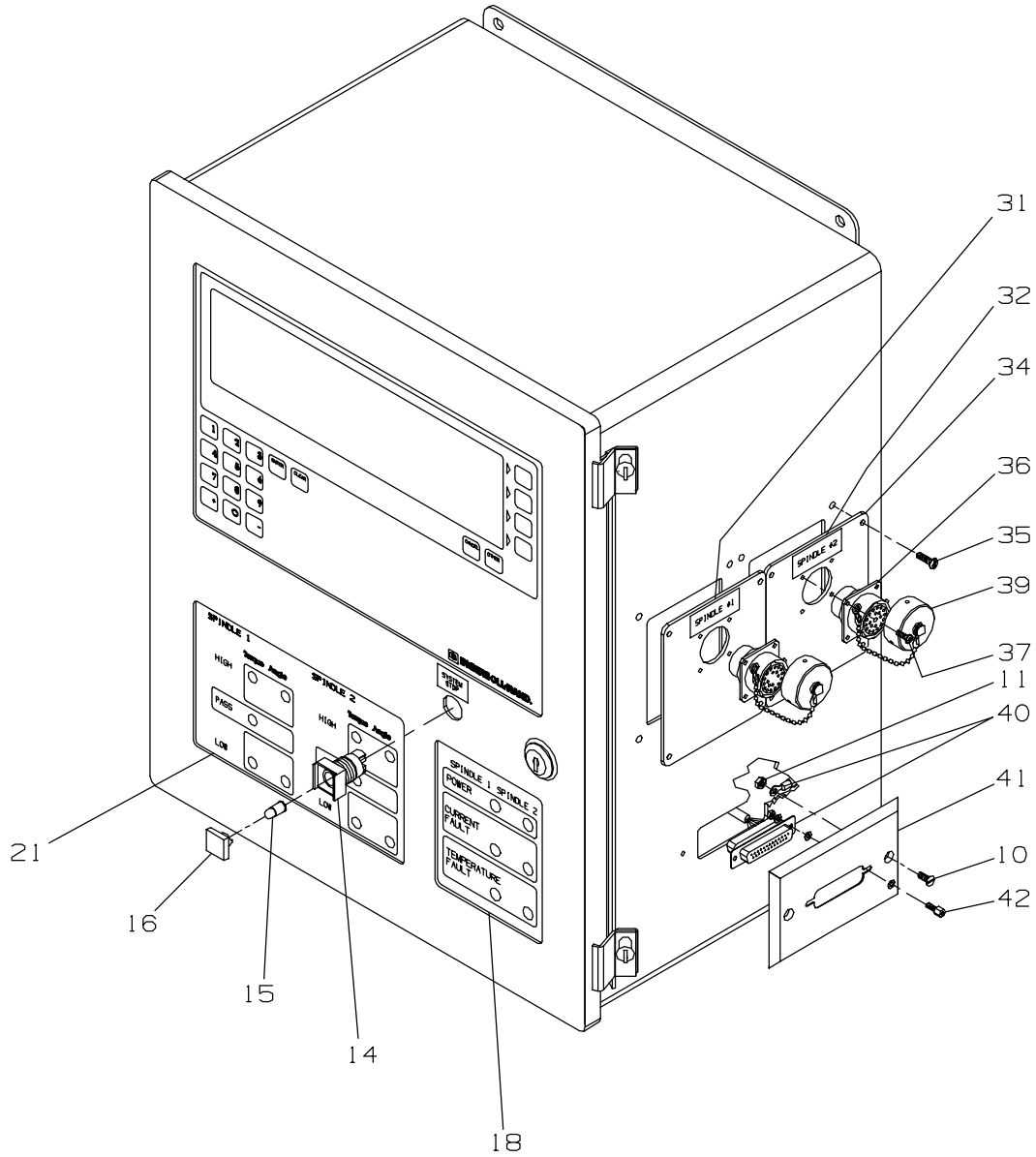
PROFESSIONAL TOOLS

TMAD1-001 SINGLE WRENCH CABINET ASSEMBLY



(Dwg. TPA1377)

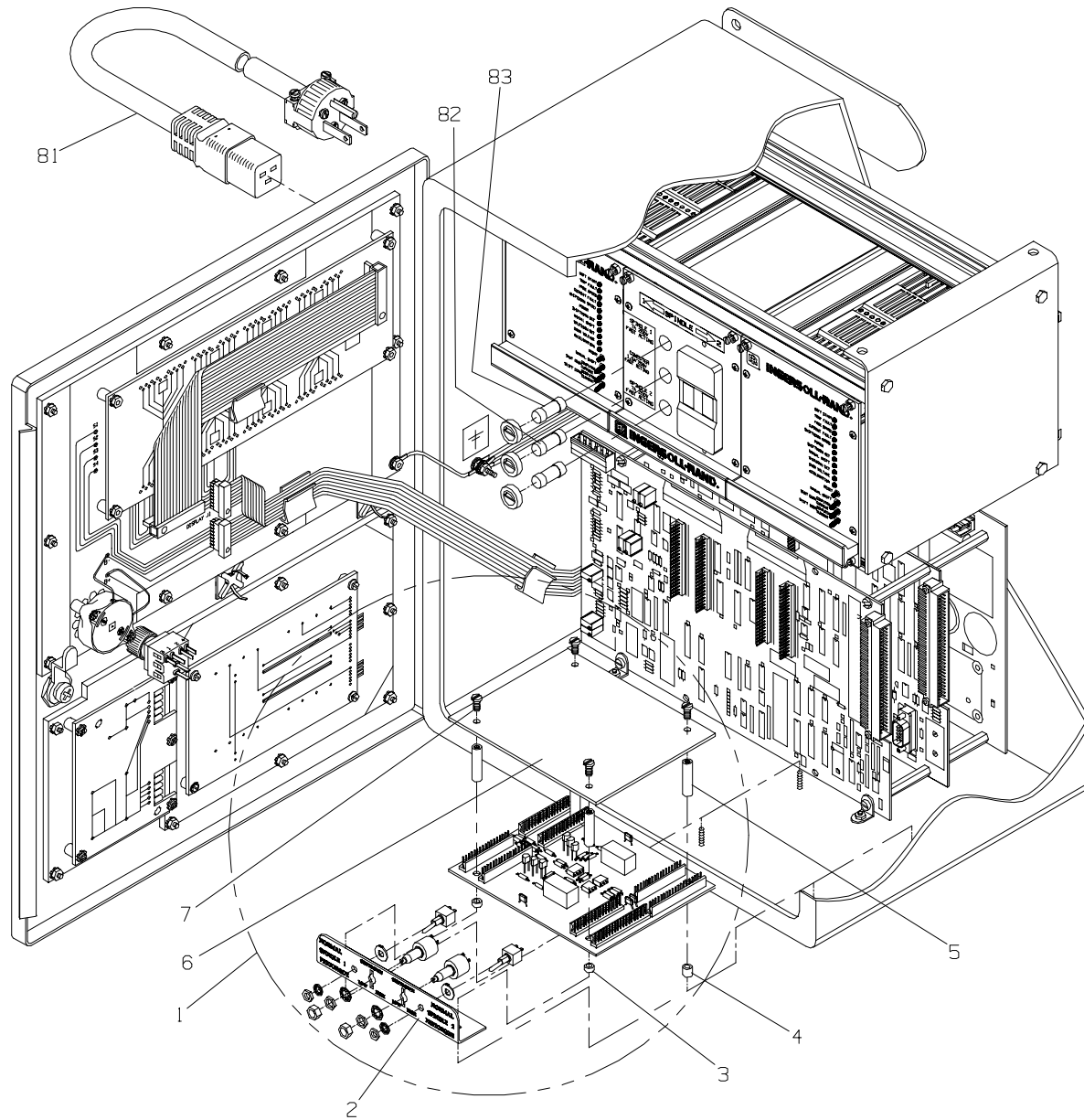
TMAD2-001 EXTERNAL VIEW, TWO WRENCH CABINET ASSEMBLY



BACK VIEW OF SIDE PANEL
GROUND CONNECTIONS

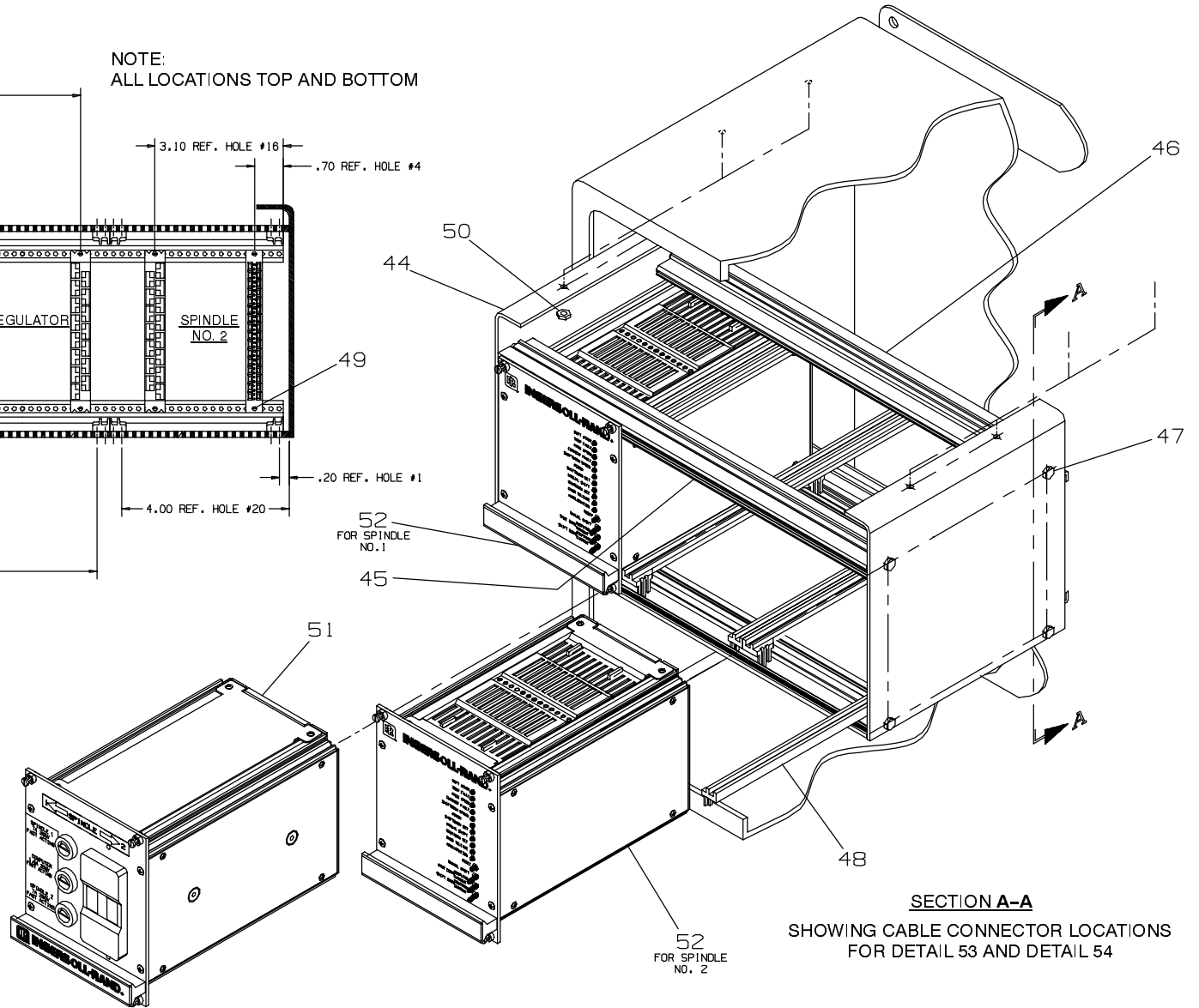
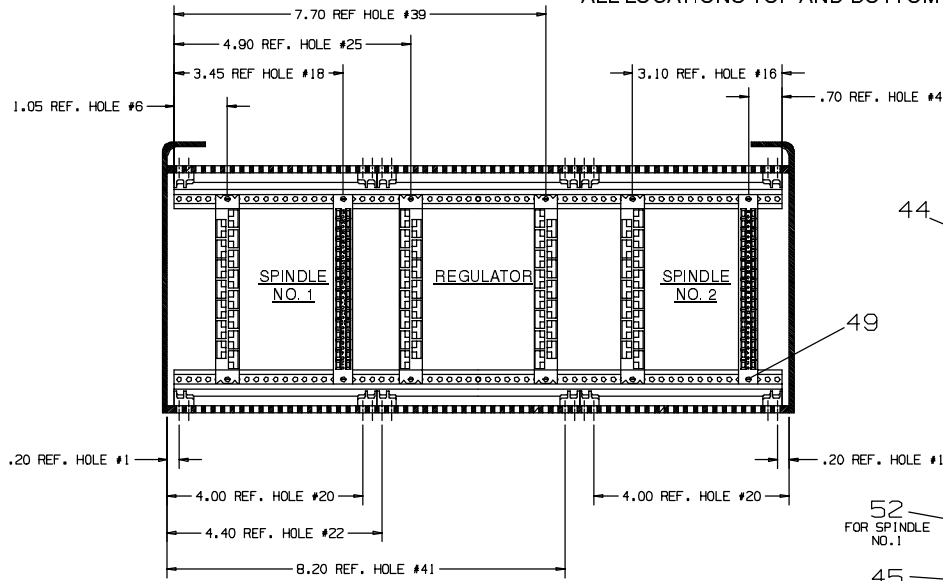
(Dwg. TPA1378)

TMAD1 AND TMAD2 INTERFACE MODULE



CONTROLLER RACK FOR TMAD1-001 AND TMAD2-001 CABINET ASSEMBLIES

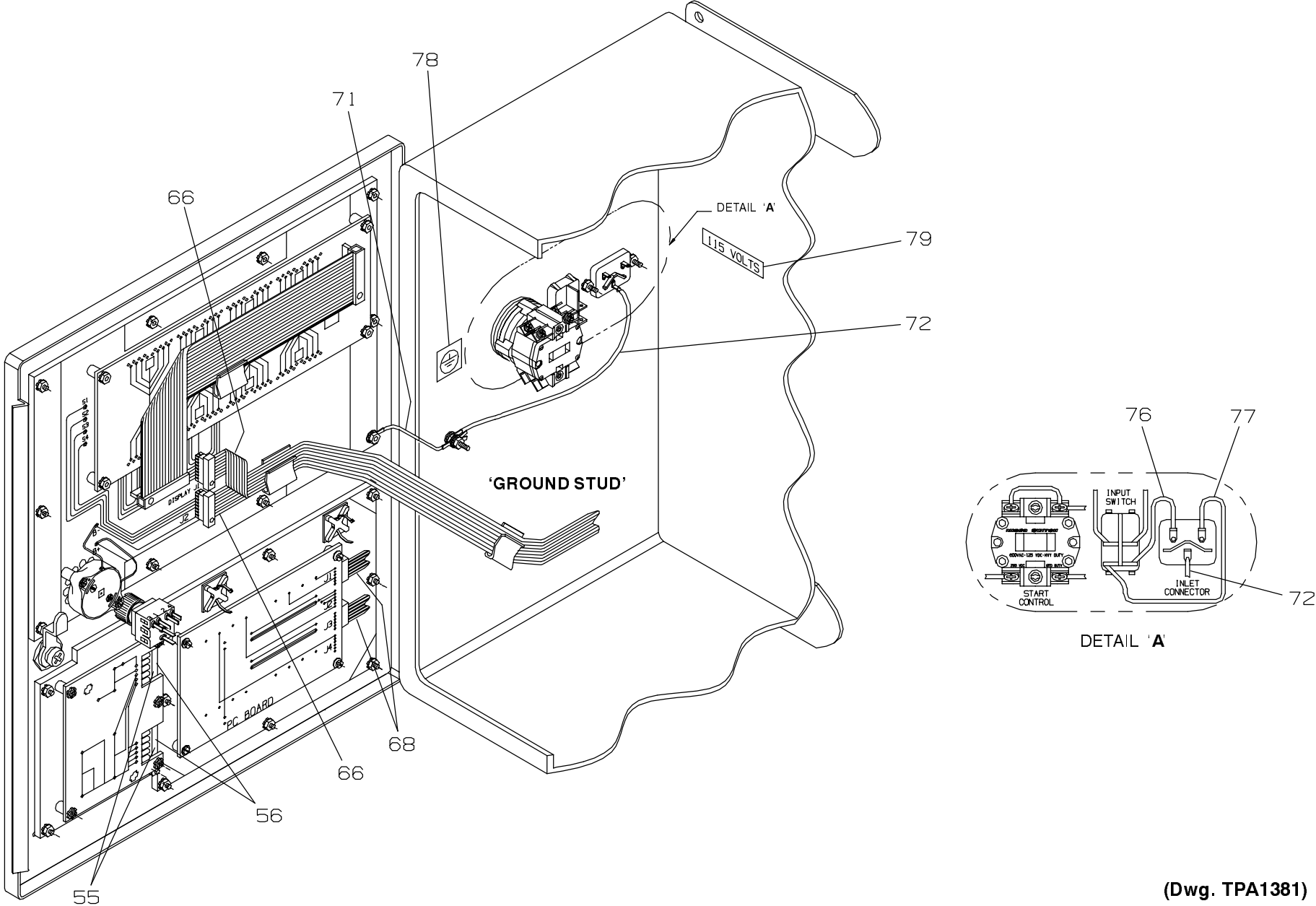
NOTE:
ALL LOCATIONS TOP AND BOTTOM



(Dwg. TPA1379)

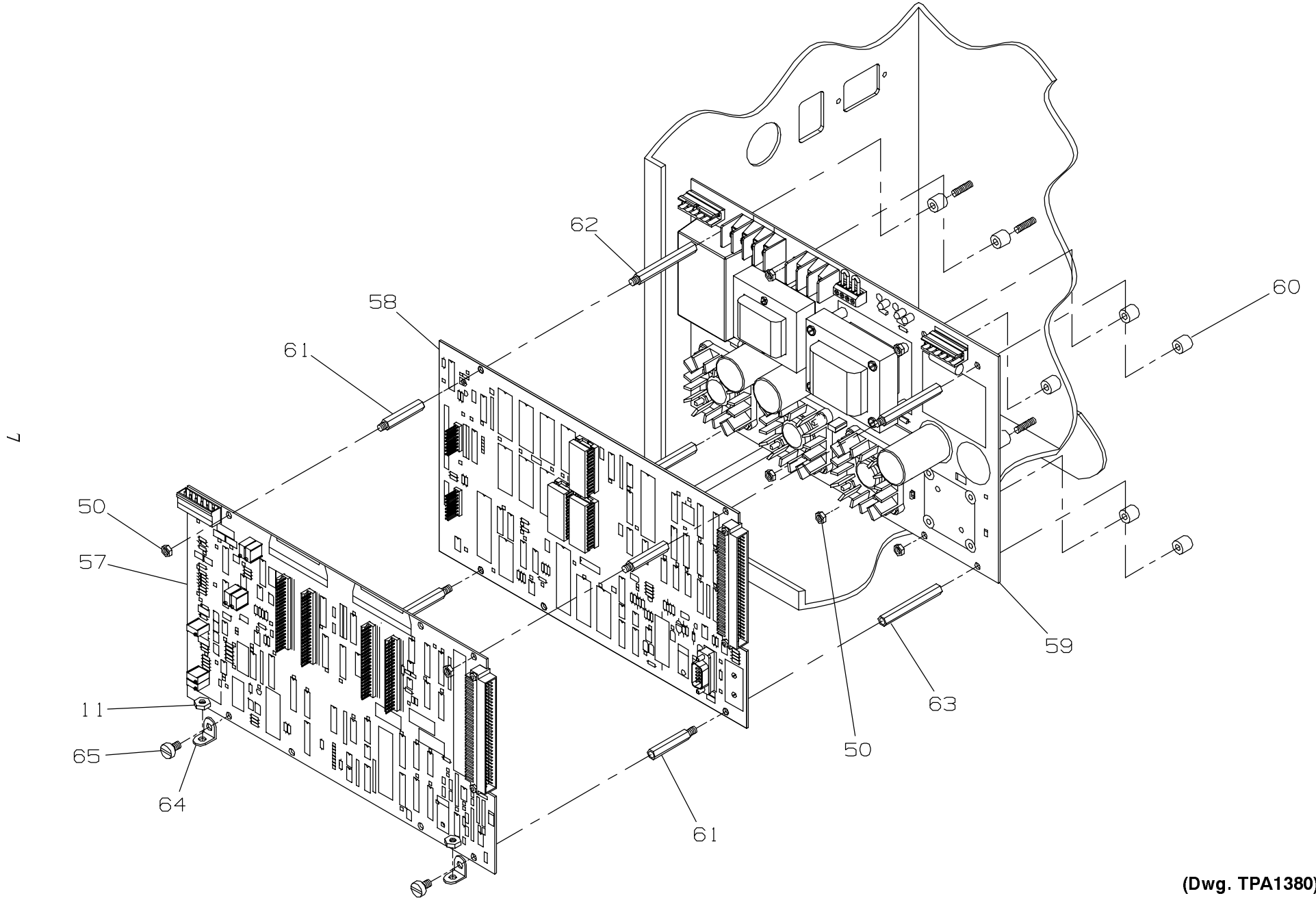
TMAD1 AND TMAD2 CABINET WIRING

9



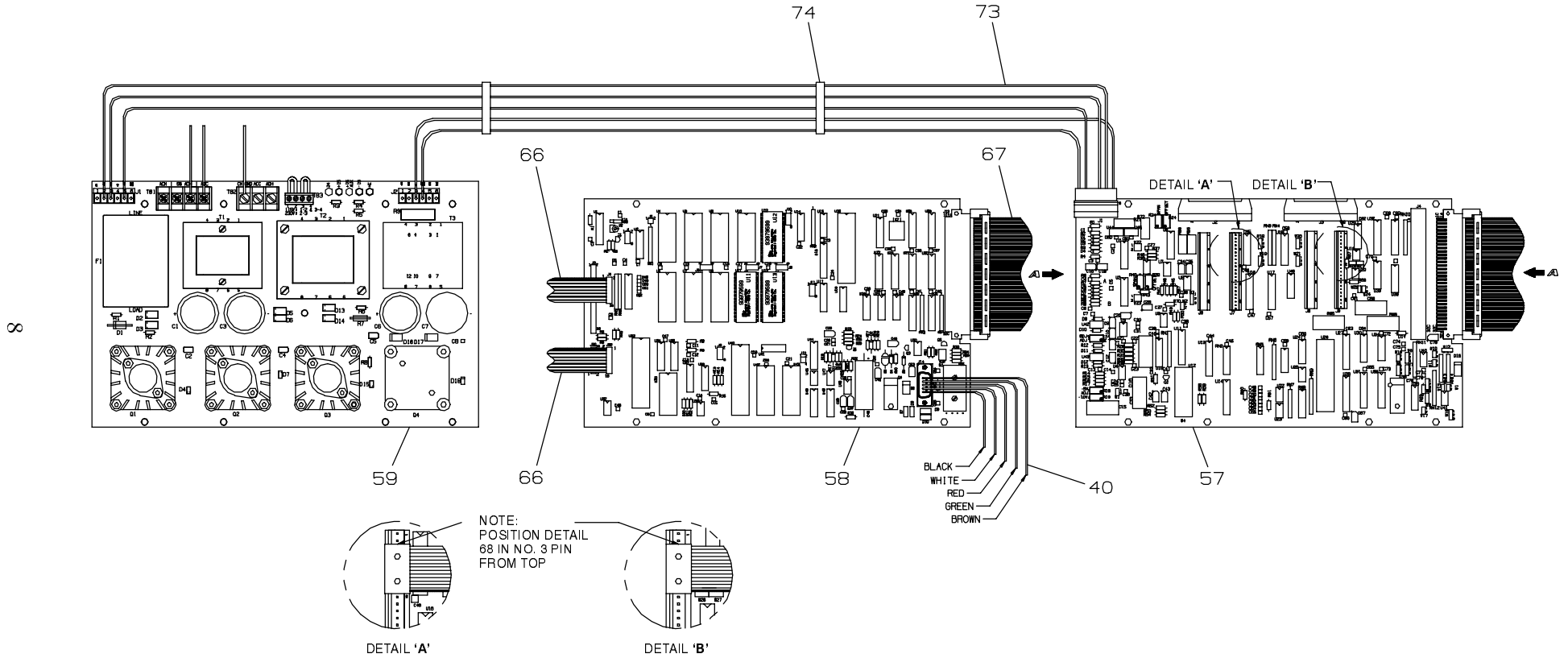
(Dwg. TPA1381)

TMAD1 AND TMAD2 CIRCUIT BOARD ASSEMBLIES



(Dwg. TPA1380)

TMAD1 AND TMAD2 CIRCUIT BOARD WIRING



(Dwg. TPA1382)

PART NUMBER FOR ORDERING

PART NUMBER FOR ORDERING

	Cabinet (complete)		20	Control Panel Assembly	
	for one wrench hook-up	TMAD1-001		for TMAD1-001	DEA40-A906-1
	for two wrench hook-up	TMAD2-001		for TMAD2-001	DEA40-A906-2
1	Interface Board Module		21	Control Panel Label	---
	for TMAD1-001	DEA40-M950-1		LCD Display Assembly	DEA40-A905
	for TMAD2-001	DEA40-M950-2	22	LCD Display	---
2	Interface Board Bracket	---	23	LCD Board	---
3	Spacer (1/8" long) (2)	---	24	Sounder	---
4	Spacer (1/4" long) (2)	---	25	Spacer (1/4") (4)	---
5	Spacer (1" long) (4)	---	26	Sems Screw (#4-40 thread x 3/8"	
6	Board Cover	---		long) (2)	---
7	Cover Screw (#6-32 thread x 1/2"		27	Keys Nut (#4-40 thread) (4)	---
	long) (4)	---	28	Cable Assembly (15 pin)	---
8	Cabinet Assembly		29	Cable Connector (15 pin)	---
	for TMAD1-001	DEA40-A850-1	30	Cable Mount	---
	for TMAD2-001	DEA40-A850-2	31	Spindle #1 Label	DEA40-873
9	Inlet Connector	DEA40-861	32	Spindle #2 Label (for TMAD2-001)	DEA40-874
10	Screw (#6-32 thread x 1/2"		33	Receptacle Cover Blank	
	long slotted) (4)	---		(for TMAD1-001)	DEA40-859
11	Keys Nut (#6-32 thread) (36)	---	34	Receptacle Cover (1 for TMAD1-001;	
12	Input Switch	DEA40-862		2 for TMAD2-001)	DEA40-860
13	Start Control	DEA40-865	35	Cover Mounting Screw	
14	Switch-system Stop	DEA40-867		(#6-32 thread x 1/2" long slotted) (8)	---
15	Bulb-system Stop	DEA40-969	36	Tool Receptacle (1 for TMAD1-001;	
16	Lens-system Stop	DEA40-868		2 for TMAD2-001)	DEA40-967
17	Light Board Assembly		37	Receptacle Mounting Screw	
	for TMAD1-001	DEA40-A866-1		(#4-40 thread x 3/8" long Pan Head)	
	for TMAD2-001	DEA40-A866-2		(4 for TMAD1-001; 8 for TMAD2-001)	---
17A	Light Panel Assembly	DEA40-855	38	Mounting Screw Keys Nut (#4-40 thread)	
18	Light Panel Label	---		(4 for TMAD1-001; 8 for TMAD2-001)	---
19	Sems Screw (#6-32 thread x 1/4"		39	Tool Receptacle Cover (1 for TMAD1-001;	
	long) (5)	---		2 for TMAD2-001)	DEA40-872

PART NUMBER FOR ORDERING

PART NUMBER FOR ORDERING

10

40	CPU Cable	DEA40-907	61	Male/Female Standoff (#8-32 thread x 1-1/4" long) (4)	DEA40-910
41	CPU Cable Receptacle Cover	DEA40-917	62	Male/Female Standoff (#8-32 thread x 2" long) (2)	DEA40-911
42	Screwlock (complete) (2)	DEA40-919	63	Female/Female Standoff (#8-32 thread x 2" long) (2)	DEA40-924
43	System Stop Label	DEA40-870	64	Mounting Bracket (2)	DEA40-918
44	Regulator Rack	DEA40-968	65	Sems Screw (#8-32 thread x 3/8" long) (2)	---
45	Bracket (2)	---	66	Cable (16 wire) (2)	DEA40-914
46	Front Horizontal Rail (2)	---	67	Cable (64 wire)	DEA40-915
47	Rear Horizontal Rail (2)	---	68	Cable (7 wire) (1 for TMAD1-001; 2 for TMAD2-001)	DEA40-935
48	Bracket Screw (M5 x 12 Hex Head Screw) (8)	---	69	Cable Mount (Tie Type) (2)	DEA40-937
49	Rack Guide Rail (8 for TMAD1-001; 12 for TMAD2-001)	DEA40-851	70	Cable Mount (Flat Type) (2)	DEA40-938
50	Guide Rail Screw (M2.5 x 6 Pan Head) (6 for TMAD1-001; 12 for TMAD2-001) ...	---	71	Ground Strap	DEA40-939
51	Keps Nut (#8-32 thread) (13)	---	72	Ground Lead	DEA40-940
52	Regulator for TMAD1-001	DEA40-A750-1	73	Power Distribution Cable	DEA40-944
53	for TMAD2-001	DEA40-A750-2	74	Cable tie (2)	---
54	Controller (1 for TMAD1-001; 2 for TMAD2-001)	DEA40-700	75	Clincher Adjustable Clamp (4)	DEA40-949
55	#1 Spindle Cable	DEA40-966-1	76	Jumper Wire (inlet connector to input switch) (black)	DEA40-962
56	#2 Spindle Cable (for TMAD2-001 only) ...	DEA40-966-2	77	Jumper Wire (inlet connector to input switch) (white)	DEA40-963
57	Connector (1 for TMAD1-001; 2 for TMAD2-001)	DEA40-970-5	78	Ground Label	DEA40-871
58	Dust Cover (1 for TMAD1-001; 2 for TMAD2-001)	DEA40-946-5	79	Voltage Marker Label (2)	DEA40-875
59	Input/Output Board Assembly for TMAD1-001	DEA40-A902	80	Cable Tie (4)	---
60	for TMAD2-001	DEA40-A903	81	Input Cord Assembly	DEA40-A864
	CPU Board Assembly	DEA40-A900	82	Fuse (1.5 amp; 250 volt; fast-acting)	---
	Power Supply Board Assembly	DEA40-A901	83	Fuse (7 amp; 250 volt; fast-acting) (2)	---
	Spacer (3/8" long) (9)	DEA40-909	*	Interface Cable (10 wire) (2)	DEA40-947
			*	Interface Cable (16 wire) (2)	DEA40-948

* Not illustrated.

NOTES



Artisan Technology Group is your source for quality new and certified-used/pre-owned equipment

- FAST SHIPPING AND DELIVERY
- TENS OF THOUSANDS OF IN-STOCK ITEMS
- EQUIPMENT DEMOS
- HUNDREDS OF MANUFACTURERS SUPPORTED
- LEASING/MONTHLY RENTALS
- ITAR CERTIFIED SECURE ASSET SOLUTIONS

SERVICE CENTER REPAIRS

Experienced engineers and technicians on staff at our full-service, in-house repair center

*InstraView*SM REMOTE INSPECTION

Remotely inspect equipment before purchasing with our interactive website at www.instraview.com ↗

WE BUY USED EQUIPMENT

Sell your excess, underutilized, and idle used equipment. We also offer credit for buy-backs and trade-ins. www.artisanng.com/WeBuyEquipment ↗

LOOKING FOR MORE INFORMATION?

Visit us on the web at www.artisanng.com ↗ for more information on price quotations, drivers, technical specifications, manuals, and documentation

Contact us: (888) 88-SOURCE | sales@artisanng.com | www.artisanng.com