



## Artisan Technology Group is your source for quality new and certified-used/pre-owned equipment

- FAST SHIPPING AND DELIVERY
- TENS OF THOUSANDS OF IN-STOCK ITEMS
- EQUIPMENT DEMOS
- HUNDREDS OF MANUFACTURERS SUPPORTED
- LEASING/MONTHLY RENTALS
- ITAR CERTIFIED SECURE ASSET SOLUTIONS

### SERVICE CENTER REPAIRS

Experienced engineers and technicians on staff at our full-service, in-house repair center

### *InstraView*<sup>SM</sup> REMOTE INSPECTION

Remotely inspect equipment before purchasing with our interactive website at [www.instraview.com](http://www.instraview.com) ↗

### WE BUY USED EQUIPMENT

Sell your excess, underutilized, and idle used equipment. We also offer credit for buy-backs and trade-ins. [www.artisanng.com/WeBuyEquipment](http://www.artisanng.com/WeBuyEquipment) ↗

### LOOKING FOR MORE INFORMATION?

Visit us on the web at [www.artisanng.com](http://www.artisanng.com) ↗ for more information on price quotations, drivers, technical specifications, manuals, and documentation

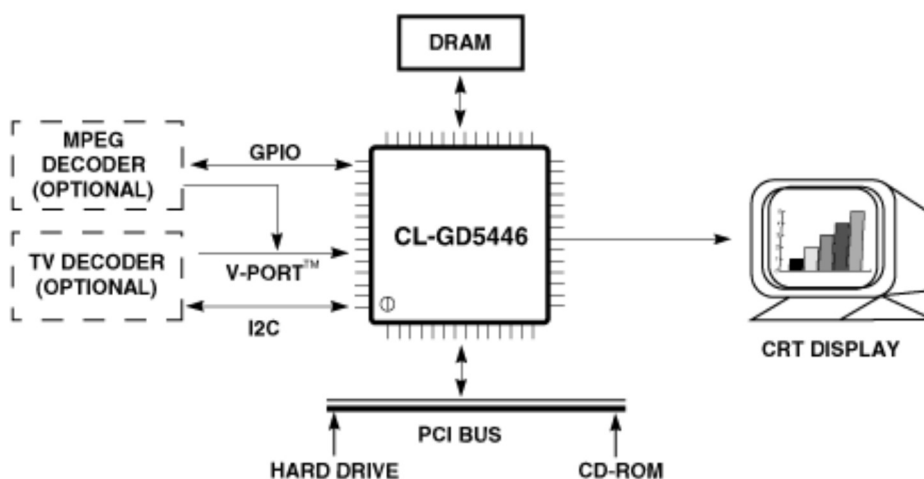
**Contact us:** (888) 88-SOURCE | [sales@artisanng.com](mailto:sales@artisanng.com) | [www.artisanng.com](http://www.artisanng.com)



## Products



### CL-GD5446: 64-bit VisualMedia® Accelerator



- High-throughput PCI bus interface for video playback
  - Large write buffer allows sustained zero-wait-state bursts
  - Byte-swapping for PowerPC™ support
  - PCI v2.1-compliant
- Advanced 64-bit BitBLT engine for Windows® 95
  - Transparent source-data BitBLT for DirectDraw™
  - Color expansion for all graphics modes
  - Double-buffered, memory-mapped registers with AutoStart™
  - Optimized color 8 x 8 PatCopy
  - Accelerated Packed-24 modes
- 64-bit DRAM interface optimized for EDO DRAM
  - 80-MHz MCLK offers up to 320 Mbytes/sec. peak bandwidth
  - Supports new 128K x 16, 128K x 32 DRAM
- V-Port®, GPIO, I2C® bus interfaces for video decoders
  - Video capture, closed-caption capture applications
  - GPIO permits video decoders with single load on PCI bus
  - Automatic double buffering prevents video 'tearing'
  - Glueless interface to the CL-PX4072
  - Interface to MPEG and other video decoders
- Hardware window for video display
  - Multiformat frame buffer
  - Supports YUV-16 true color video with 8-bit graphics
  - YUV 4:2:2, AccuPak™, RGB-8, RGB-16 video formats
  - Independent interpolated X and Y zooming
  - Occlusion support with color- or chroma-key
  - Supports popular hardware and software video codecs, including MPEG

The CL-GD5446 delivers high-performance graphics and TV-quality, full-motion, full-screen video playback in an integrated, single-chip device. The CL-GD5446 VisualMedia™ accelerator, integrated into a cost-effective personal computer, plays CD-ROM video clips and disk-based video files (including MPEG titles), in full screen at up to 30


frames per second with fully synchronized sound. Transparent BitBLT and page-flipping features provide outstanding DirectDraw and games performance.

---

**Additional Information (available in Acrobat PDF):**

 [Advance Product Bulletin](#) (Sept. '96: 70 Kb)

 [Preliminary Data Book](#) (Nov. '96, v2.0: 825 Kb)

 [Technical Reference Manual](#)(includes data book) (Nov. '96, Second Edition: 3.5 Mb)

---

[Corporate Info](#) | [News Releases](#) | [Products](#) | [OEM Support](#) | [Drivers](#) | [Cloud Nine](#)

[Copyright © 1995-1999 Cirrus Logic, Inc.](#)

Please [contact us](#) with your questions or comments.



## Artisan Technology Group is your source for quality new and certified-used/pre-owned equipment

- FAST SHIPPING AND DELIVERY
- TENS OF THOUSANDS OF IN-STOCK ITEMS
- EQUIPMENT DEMOS
- HUNDREDS OF MANUFACTURERS SUPPORTED
- LEASING/MONTHLY RENTALS
- ITAR CERTIFIED SECURE ASSET SOLUTIONS

### SERVICE CENTER REPAIRS

Experienced engineers and technicians on staff at our full-service, in-house repair center

### *InstraView*<sup>SM</sup> REMOTE INSPECTION

Remotely inspect equipment before purchasing with our interactive website at [www.instraview.com](http://www.instraview.com) ↗

### WE BUY USED EQUIPMENT

Sell your excess, underutilized, and idle used equipment. We also offer credit for buy-backs and trade-ins. [www.artisanng.com/WeBuyEquipment](http://www.artisanng.com/WeBuyEquipment) ↗

### LOOKING FOR MORE INFORMATION?

Visit us on the web at [www.artisanng.com](http://www.artisanng.com) ↗ for more information on price quotations, drivers, technical specifications, manuals, and documentation

**Contact us:** (888) 88-SOURCE | [sales@artisanng.com](mailto:sales@artisanng.com) | [www.artisanng.com](http://www.artisanng.com)