



Artisan Technology Group is your source for quality new and certified-used/pre-owned equipment

- FAST SHIPPING AND DELIVERY
- TENS OF THOUSANDS OF IN-STOCK ITEMS
- EQUIPMENT DEMOS
- HUNDREDS OF MANUFACTURERS SUPPORTED
- LEASING/MONTHLY RENTALS
- ITAR CERTIFIED SECURE ASSET SOLUTIONS

SERVICE CENTER REPAIRS

Experienced engineers and technicians on staff at our full-service, in-house repair center

*InstraView*SM REMOTE INSPECTION

Remotely inspect equipment before purchasing with our interactive website at www.instraview.com ↗

WE BUY USED EQUIPMENT

Sell your excess, underutilized, and idle used equipment. We also offer credit for buy-backs and trade-ins. www.artisanng.com/WeBuyEquipment ↗

LOOKING FOR MORE INFORMATION?

Visit us on the web at www.artisanng.com ↗ for more information on price quotations, drivers, technical specifications, manuals, and documentation

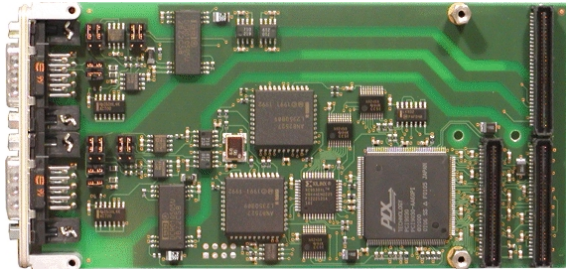
Contact us: (888) 88-SOURCE | sales@artisanng.com | www.artisanng.com

TPMC816 Two Independent Channels Extended CAN Bus

Application Information

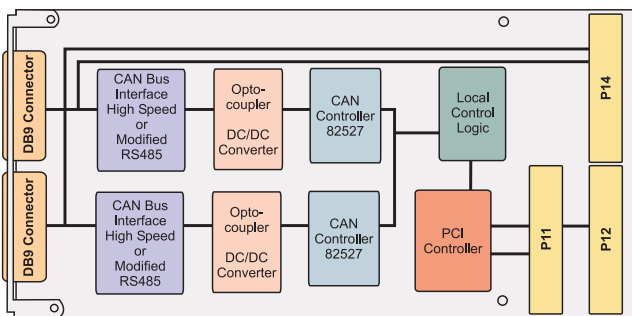
The TPMC816 is a standard single-width 32 bit PMC module with two complete CAN bus interfaces using two Intel 82527 CAN controllers. Both channels are completely independent and support CAN specification 2.0 part A and B (Standard 11 bit identifier and extended 29 bit identifier).

Each channel provides CAN High Speed and modified RS485 as physical interface. The physical interfaces are optically isolated from the CAN controller and powered by an on board DC/DC converter for each channel. The TPMC816-11 provides one CAN bus channel.



For First Time Users the Engineering Documentation TPMC816-ED is recommended. The Engineering Documentation includes TPMC816-DOC, schematics and data sheets.

Driver support (TPMC816-SW-xx) for different operating systems is available.



Technical Information

- Standard single-width 32 bit PMC module conforming to IEEE P1386.1
- PCI 2.1 compliant interface
- Board size: 149 mm x 74 mm
- CAN bus interface based on Intel 82527 chip
- I/O access :
 - DB9 male front connector with pinout following CiA DS-102, parallel to rear connector P14
- Support CAN specification 2.0 part A and B (standard and extended data frames)
- Programmable global mask
- 15 message objects of 8 byte data length
- Powerful error handling
- Programmable transfer rates
- Physical interface CAN High Speed (according to ISO 11 898) and modified RS485 per channel
- Physical interface optically isolated from CAN controller by on board DC/DC converter per channel
- Maximum transfer rate 1 Mbit/s (bus length up to 40 m)
- Operating temperature -40°C to +85°C

Order Information

TPMC816-10 Two Independent CAN Bus Channels
TPMC816-10R RoHS compliant version of TPMC816-10

TPMC816-11 One CAN Bus Channel
TPMC816-11R RoHS compliant version of TPMC816-11

TPMC816-DOC User Manual
TPMC816-ED Engineering Documentation, includes TPMC816-DOC

TPIM001-10 PIM I/O Module with HD50 SCSI-2 type connector
TPIM001-10R RoHS compliant version of TPIM001-10

TDRV011-SW-42 VxWorks Software Support
TDRV011-SW-65 Windows XP/XPE/2000 Software Support

TPMC816-SW-72 LynxOS Software Support
TDRV011-SW-82 LiNux Software Support
TPMC816-SW-95 QNX 6 Software Support

For other operating systems please contact TEWS.



Artisan Technology Group is your source for quality new and certified-used/pre-owned equipment

- FAST SHIPPING AND DELIVERY
- TENS OF THOUSANDS OF IN-STOCK ITEMS
- EQUIPMENT DEMOS
- HUNDREDS OF MANUFACTURERS SUPPORTED
- LEASING/MONTHLY RENTALS
- ITAR CERTIFIED SECURE ASSET SOLUTIONS

SERVICE CENTER REPAIRS

Experienced engineers and technicians on staff at our full-service, in-house repair center

*InstraView*SM REMOTE INSPECTION

Remotely inspect equipment before purchasing with our interactive website at www.instraview.com ↗

WE BUY USED EQUIPMENT

Sell your excess, underutilized, and idle used equipment. We also offer credit for buy-backs and trade-ins. www.artisanng.com/WeBuyEquipment ↗

LOOKING FOR MORE INFORMATION?

Visit us on the web at www.artisanng.com ↗ for more information on price quotations, drivers, technical specifications, manuals, and documentation

Contact us: (888) 88-SOURCE | sales@artisanng.com | www.artisanng.com