



Artisan Technology Group is your source for quality new and certified-used/pre-owned equipment

- FAST SHIPPING AND DELIVERY
- TENS OF THOUSANDS OF IN-STOCK ITEMS
- EQUIPMENT DEMOS
- HUNDREDS OF MANUFACTURERS SUPPORTED
- LEASING/MONTHLY RENTALS
- ITAR CERTIFIED SECURE ASSET SOLUTIONS

SERVICE CENTER REPAIRS

Experienced engineers and technicians on staff at our full-service, in-house repair center

*InstraView*SM REMOTE INSPECTION

Remotely inspect equipment before purchasing with our interactive website at www.instraview.com ↗

WE BUY USED EQUIPMENT

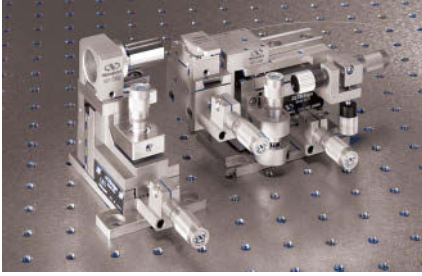
Sell your excess, underutilized, and idle used equipment. We also offer credit for buy-backs and trade-ins. www.artisanng.com/WeBuyEquipment ↗

LOOKING FOR MORE INFORMATION?

Visit us on the web at www.artisanng.com ↗ for more information on price quotations, drivers, technical specifications, manuals, and documentation

Contact us: (888) 88-SOURCE | sales@artisanng.com | www.artisanng.com

561/562 Series ULTRAlign™ Fiber Alignment Accessories



Ordering Information

Model (Metric)	Description
561-FH	Bare Fiber Holder for 125 μm Fibers
561-FC	Fiber Chuck Holder, 0.25 inch, 561 Series
561-RFC	Fiber Chuck Rotation Mount
561-GM	Gimbal Fiber Chuck Positioner, 561 Series
561-FCH	FC Connectorized Fiber Holder
561-SCH	SC Connectorized Fiber Holder
561-LCH	LC Connectorized Fiber Holder, 561 Series
561-FCA3	SMA Connectorized Fiber Holder with Rotation
561-FCA4	FC Connectorized Fiber Holder with Rotation
561-FCA6	ST Connectorized Fiber Holder with Rotation
561-FCA9	SC Connectorized Fiber Holder with Rotation
561-MM	Optical Module Mount, 561 Series
561-V1	V-Groove Module, 1–1.75 mm
561-V2	V-Groove Module, 2–2.75 mm
561-V3	V-Groove Module, 3 & 3.25 mm
561-BL1	Ball Lens Module, 1 mm, 561 Series
561-BL2	Ball Lens Module, 2 mm, 561 Series
561-BL3	Ball Lens Module, 3 mm, 561 Series
561-GR	Gradient Index (GRIN) Lens Mount, 561 Series
561-OBJ	Objective Lens Mount
561-VH	Vacuum Waveguide Mount
561-UM (M-561-UM)	Universal Module, 561/562 Rail
561-GBM	Blank, GRIN Lens Mount, 561 Series
561-OBM	Blank, Objective Lens Mount
561-UST	561 Fixed Platform, Universal Stand
561-TS	561 Fixed Platform, Narrow Profile T-Stand
562-UST	562 Fixed Platform, Universal Stand
562-TS	562 Fixed Platform, Narrow Profile T-Stand
561-ADPT	Adaptor, Raises 561 Stage to 562 Height
561-PCH	Photonic Crystal Fiber Mount Kit
561-PCH-M	Photonic Crystal Fiber Mount
561-PCH-V	Photonic Crystal Fiber V-Block
FPH-S-.175	Photonic Crystal Fiber Chuck
561-RAIL-1	Dovetail rail for ULTRAlign positioning system; 25.4 mm length
562-RAIL-3.7	562 Dovetail Rail for 562F-TILT Stages



Bare fiber holder—561-FH

Bare Fiber Holder

- Improved design for 125 μm diameter bare fibers
- Fiber gently held in precision V-groove

Fiber chuck holder—561-FC

Fiber Chuck Holder

- Designed to hold 0.25 in. (6.35 mm) diameter fiber chucks
- Mounts all Newport fiber chucks (see page 460)



Fiber chuck rotation mount—561-RFC

Fiber Chuck Rotation Mount

- Designed to hold 0.25 in. (6.35 mm) diameter fiber chucks
- Rotation of 360° in θ_x , Sensitivity of 2°



Gimbal fiber chuck positioner—561-GM

Gimbal Fiber Chuck Positioner

- Designed to hold 0.25 in. (6.35 mm) diameter fiber chucks
- Rotation of 360° in θ_x , Tilt of $\pm 5^\circ$ in $\theta_y\theta_z$
- Sensitivity of 2° in θ_x , ± 12 arc sec in $\theta_y\theta_z$



Connectorized fiber holder
 561-FCH (for FC connector)
 561-SCH (for SC connector)
 561-LCH (for LC connector)

Connectorized Fiber Holders

- Mounts FC, SC, or LC connectorized fibers



Connectorized fiber holder with rotation
 561-FCA3 (for SMA connector)
 561-FCA4 (for FC connector)
 561-FCA6 (for ST connector)
 561-FCA9 (for SC connector)

Connectorized Fiber Holders with Rotation

- Mounts SMA, FC, ST, or SC connectorized fibers
- Fiber can be rotated 360° in holder



Photonic Crystal Fiber Kit includes mount, v-groove and fiber chuck—561-PCH

Photonic Crystal Fiber Mount

- Designed to hold short lengths of Photonic Crystal Fiber
- V-groove accepts 120-160 μm diameter bare fibers
- Small fiber chuck accepts 80-200 μm diameter bare fibers



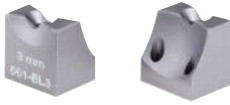
Module Mount—561-MM

Module Mount

- Accepts modules for holding ball lenses, GRIN lenses, fiber collimators, and fiber ferrules
- Optics and devices are gently held in modules



V-Groove Modules—561-V1, 561-V2, and 561-V3



Ball Lens Modules—561-BL1, 561-BL2, and 561-BL3



Gradient index (GRIN) lens mount—561-GR



Objective lens mount—561-OBJ



Vacuum waveguide mount—561-VH



Universal module—561-UM (M-561-UM)



Blank, GRIN lens mount—561-GBM



Blank, objective lens mount—561-OBM

V-Groove Modules

- Modules for holding 1 to 3.25 mm diameter cylindrical devices
- Ideal for GRIN lenses, fiber collimators, and fiber ferrules
- Gently held in 561-MM Module Mount

Ball Lens Modules

- Modules for holding 1, 2, or 3 mm diameter ball lenses
- Gently held in 561-MM Module Mount

Gradient Index (GRIN) Lens Mount

- Mounts GRIN lenses up to 4.5 mm diameter
- Lenses held in a V-groove with a nylon-tipped setscrew

Objective Lens Mount

- Mounts microscope and laser diode objective lenses
- Standard 0.800-36 RMS thread

Vacuum Waveguide Mount

- One to eight vacuum ports can be used to mount small to large devices
- Requires a user supplied vacuum pump

Universal Module

- Use to mount custom component holders on the 561/562 rail

Blank Mounts

- Machine to create custom component holders to mount on 561/562 rail

Universal Stand

- Fixed platform to mount a component next to a positioning stage

MANUAL
LINEAR STAGES
VERTICAL POSITIONING
MANUAL ROTATION AND TILT STAGES
MANUAL ACTUATORS
MANUAL FIBER ALIGNMENT STAGES

MANUAL
LINEAR STAGES



Universal stand—561-UST



Universal stand—562-UST

VERTICAL
POSITIONING



T-stand—561-TS



T-stand—562-TS

MANUAL ROTATION
AND TILT STAGES



561 to 562 Height adaptor—561-ADPT

MANUAL
ACTUATORS

MANUAL FIBER
ALIGNMENT STAGES

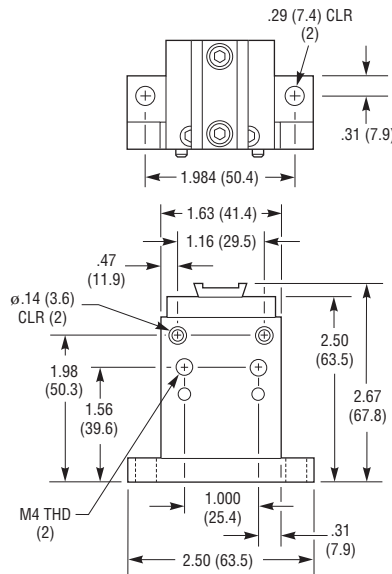
T-Stand

- Fixed platform to mount a component between two positioning stages

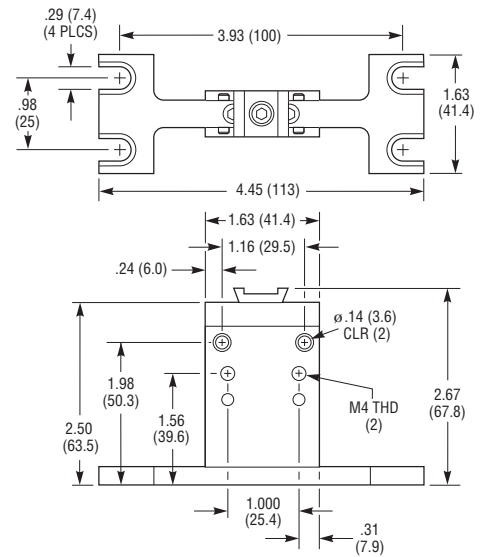
561 to 562 Height Adaptor

- Raises 561 stages to 562 stage height
- For use with 561-XYZ and 561-YZ

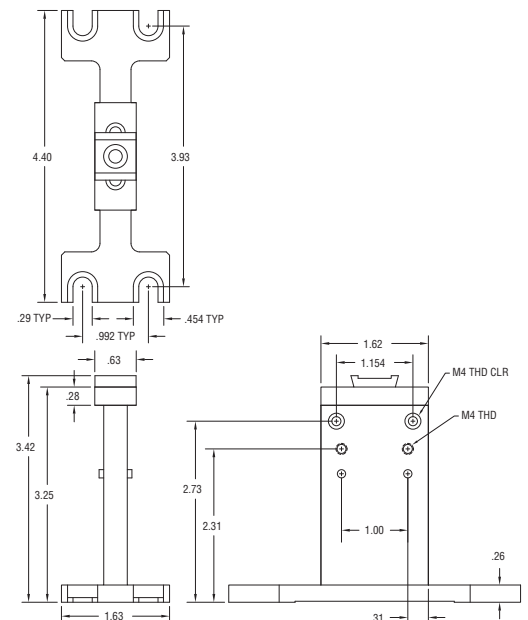
Model 561-UST



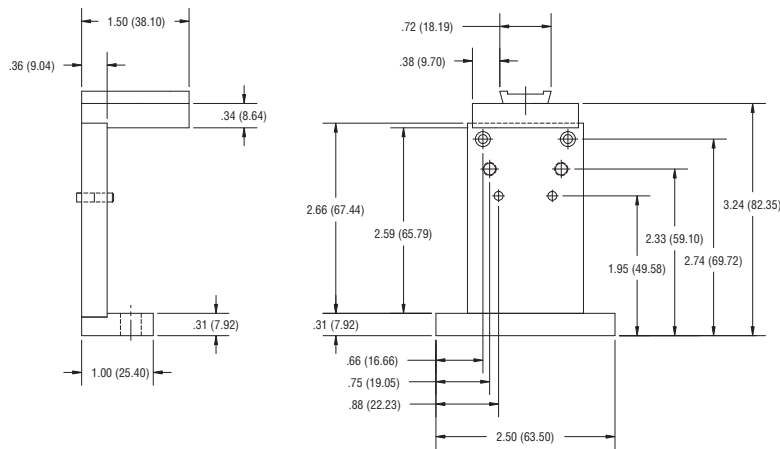
Model 561-TS



Model 562-TS



Model 562-UST



For additional drawings of these products, see www.newport.com.



Artisan Technology Group is your source for quality new and certified-used/pre-owned equipment

- FAST SHIPPING AND DELIVERY
- TENS OF THOUSANDS OF IN-STOCK ITEMS
- EQUIPMENT DEMOS
- HUNDREDS OF MANUFACTURERS SUPPORTED
- LEASING/MONTHLY RENTALS
- ITAR CERTIFIED SECURE ASSET SOLUTIONS

SERVICE CENTER REPAIRS

Experienced engineers and technicians on staff at our full-service, in-house repair center

*InstraView*SM REMOTE INSPECTION

Remotely inspect equipment before purchasing with our interactive website at www.instraview.com ↗

WE BUY USED EQUIPMENT

Sell your excess, underutilized, and idle used equipment. We also offer credit for buy-backs and trade-ins. www.artisanng.com/WeBuyEquipment ↗

LOOKING FOR MORE INFORMATION?

Visit us on the web at www.artisanng.com ↗ for more information on price quotations, drivers, technical specifications, manuals, and documentation

Contact us: (888) 88-SOURCE | sales@artisanng.com | www.artisanng.com