



Artisan Technology Group is your source for quality new and certified-used/pre-owned equipment

- FAST SHIPPING AND DELIVERY
- TENS OF THOUSANDS OF IN-STOCK ITEMS
- EQUIPMENT DEMOS
- HUNDREDS OF MANUFACTURERS SUPPORTED
- LEASING/MONTHLY RENTALS
- ITAR CERTIFIED SECURE ASSET SOLUTIONS

SERVICE CENTER REPAIRS

Experienced engineers and technicians on staff at our full-service, in-house repair center

*InstraView*SM REMOTE INSPECTION

Remotely inspect equipment before purchasing with our interactive website at www.instraview.com ↗

WE BUY USED EQUIPMENT

Sell your excess, underutilized, and idle used equipment. We also offer credit for buy-backs and trade-ins. www.artisanng.com/WeBuyEquipment ↗

LOOKING FOR MORE INFORMATION?

Visit us on the web at www.artisanng.com ↗ for more information on price quotations, drivers, technical specifications, manuals, and documentation

Contact us: (888) 88-SOURCE | sales@artisanng.com | www.artisanng.com

U53 Analyzer and Ultrasonic Sensor System



A Sound Choice for Open Channel Flow Measurement

The Model U53 level and flow monitor is designed to give highly accurate flow and depth measurement using ultrasonic sensor technology. It has a simple menu-driven system to guide the user through operation sequences, and provides reliable and cost effective flow monitoring. A large range of pre-programmed flow structures or user-entered table for custom built structures makes the U53 an invaluable tool for non-intrusive monitoring of open channels.

Flow measurements can be viewed directly on the display, or output to a chart recorder, data logger, or remote SCADA system via the two current outputs. Four user-configurable relays allow links to be made with external equipment for total site and process control. The U53 also has a choice of simple calibration routines for high levels of accuracy and ease of use.

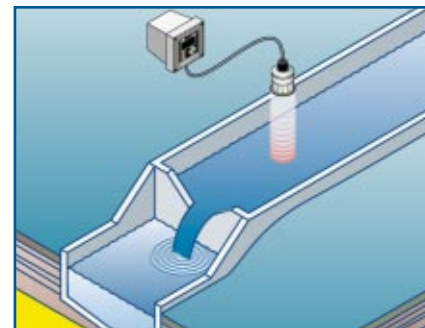
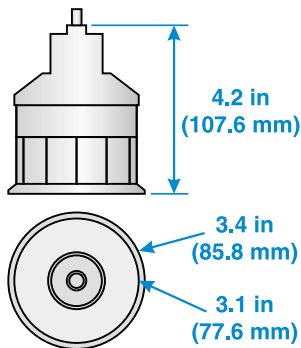
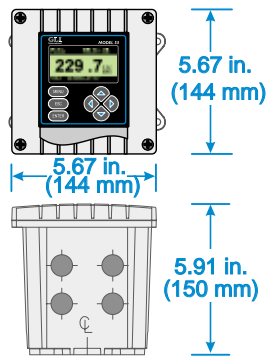
The U53 can be used for flow and depth control in a variety of applications including monitoring of storm water, inlet flow, final effluent, and activated sludge. It is also ideal for use in consent limit monitoring and works control.



Certified Compliant to
European Community
Standards



Be Right™



U53 Analyzer

- Built-in gauging library
- Multiple language capability
- Menu-guided operation

Specification Highlights

Display: Backlit dot matrix LCD

Measurement Units:

Flow: Liters, meters³, gallons, megaliters, feet³, (per second, minute, hour), megaliters and megagallons (per day).

Depth: inches, feet, mm, meters

Ambient Temperature:

-4 to 140° F (-20 to 60° C)

Temperature Compensation:

-40 to 176° F (-40 to 80° C)

Relays:

Four electromechanical SPDT (form C) contacts

Analog Outputs:

Two isolated 0-20 or 4-20 mA

Communication:

Standard: RS-232

Power:

90-130 or 180-260 VAC, 50/60 Hz.

Analyzer Performance:

Accuracy: 0.5% of span

Sensitivity: 0.1% of span

Repeatability: 0.1% of span

Enclosure: 1/2 DIN NEMA 4X (IP65)

with hardware for panel, surface, and pipe mounting

Weight: ~3.5 lb. (1.6 kg)

U53 Ultrasonic Sensor

- Pulse Echo Technology
- Automatic temperature compensation
- Requires no routine maintenance

Specification Highlights

Measuring Range:

Depth: 0.82 - 19.68 feet (0.25 - 6.0 m)

Air Temperature: -40 to +176° F
(-40 to +80° C)

Measuring Resolution:

Depth: ± 0.04 inches (1 mm)

Air Temperature: -40 to +176° F
(-40 to +80° C)

Mechanical:

Construction: NEMA 6P (IP68)
plastic PST body with integral
temperature sensor

Cable: 10 meter integral cable (std.)

Weight:

1.1 lb. (~0.5 kg)

Ordering Information

U53 Analyzer (P/N U53A4A1N)

U53 Sensor (P/N U534S0010)

For a complete listing of options,
mounting configurations, and accessories,
please contact Hach Company.

U53 Ultrasonic System Technology

The GLI U53 can be operational in minutes – the user simply selects the primary gauging structure from the library of flumes and weirs, and enters the setup parameters at the screen prompts. The instrument automatically calculates flow using specified formulas. Alternatively, the user can enter a flow curve for any non-standard structure.

The U53 has user-configurable 4-20 mA analog outputs which can be assigned to represent flow or depth. Four relay outputs allow connection to other instruments, ensuring total process control.

The instrument offers a choice of two simple calibration methods – single and dual-point. During calibration, each output can be set to track the measurement, hold the current output values, or transfer outputs to pre-determined values.

The ultrasonic sensor associated with the U53 requires no maintenance and is designed to provide years of uninterrupted service. To minimize temperature effects, it has a short blocking distance of less than 10 inches (250 mm) so the sensor can be installed close to the water surface. Each sensor is supplied with a 10 foot (3 meters) cable. Please specify when ordering if an alternative cable length is required.

Hach Worldwide Headquarters

P.O. Box 389
Loveland, Colorado 80539-0389
U.S.A.
Telephone: 970-669-3050
Toll free: 800-454-0263
Fax: 970-461-3919
E-mail: orders@hach.com

Represented By:



MEDITECNA
Camarones 1720 - C1416ECH - Capital Federal
Tel./Fax: (5411) 4585-7005 (Rotativas)
E-mail: meditecna@meditecna.com.ar / www.meditecna.com.ar

Lit. No. G507 (Supercedes SS-U53) • G33.2 Printed in U.S.A. • ©Hach Company, 2003. All rights reserved.
In the interest of improving and updating its equipment, Hach Company reserves the right to alter specifications to equipment at any time.



Be Right™



Artisan Technology Group is your source for quality new and certified-used/pre-owned equipment

- FAST SHIPPING AND DELIVERY
- TENS OF THOUSANDS OF IN-STOCK ITEMS
- EQUIPMENT DEMOS
- HUNDREDS OF MANUFACTURERS SUPPORTED
- LEASING/MONTHLY RENTALS
- ITAR CERTIFIED SECURE ASSET SOLUTIONS

SERVICE CENTER REPAIRS

Experienced engineers and technicians on staff at our full-service, in-house repair center

*InstraView*SM REMOTE INSPECTION

Remotely inspect equipment before purchasing with our interactive website at www.instraview.com ↗

WE BUY USED EQUIPMENT

Sell your excess, underutilized, and idle used equipment. We also offer credit for buy-backs and trade-ins. www.artisanng.com/WeBuyEquipment ↗

LOOKING FOR MORE INFORMATION?

Visit us on the web at www.artisanng.com ↗ for more information on price quotations, drivers, technical specifications, manuals, and documentation

Contact us: (888) 88-SOURCE | sales@artisanng.com | www.artisanng.com