



Artisan Technology Group is your source for quality new and certified-used/pre-owned equipment

- FAST SHIPPING AND DELIVERY
- TENS OF THOUSANDS OF IN-STOCK ITEMS
- EQUIPMENT DEMOS
- HUNDREDS OF MANUFACTURERS SUPPORTED
- LEASING/MONTHLY RENTALS
- ITAR CERTIFIED SECURE ASSET SOLUTIONS

SERVICE CENTER REPAIRS

Experienced engineers and technicians on staff at our full-service, in-house repair center

*InstraView*SM REMOTE INSPECTION

Remotely inspect equipment before purchasing with our interactive website at www.instraview.com ↗

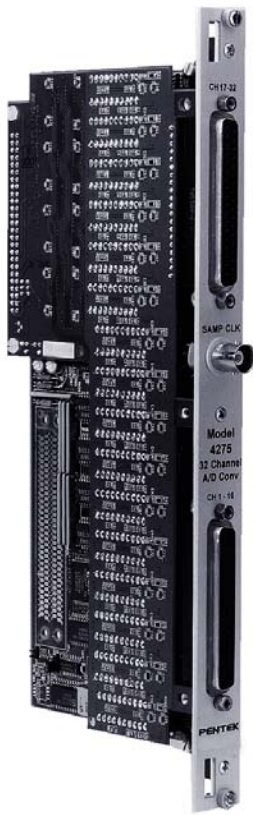
WE BUY USED EQUIPMENT

Sell your excess, underutilized, and idle used equipment. We also offer credit for buy-backs and trade-ins. www.artisanng.com/WeBuyEquipment ↗

LOOKING FOR MORE INFORMATION?

Visit us on the web at www.artisanng.com ↗ for more information on price quotations, drivers, technical specifications, manuals, and documentation

Contact us: (888) 88-SOURCE | sales@artisanng.com | www.artisanng.com



General Information

Model 4275B is a 32-channel A/D converter MIX module. It features 32 individual sigma-delta A/D converters with 16-bit resolution, sampling rates to 100 kHz and built-in signal conditioning. The 4275B is a replacement for the 4275 and 4275A. Contact Pentek for more information.

Input Signal Connections

Each of the 32 inputs is buffered by either a single-ended or differential amplifier stage (see Specifications for available options). Front panel DB 37 connectors provide a convenient method for attaching signal inputs via flat ribbon cable or discrete wiring harnesses.

Signal Conditioning Built in

Following the amplifier section are 32 A/D converters, one for each input signal. These converters utilize sigma-delta technology incorporating both the sampling function and a powerful digital filtering scheme.

The digital filtering section performs the anti-aliasing functions, thereby eliminating the need for separate, external low pass filters in most applications. Another major benefit is the linear phase response of these filters, very useful for processing multisensor array signals such as those found in sonar applications, or on-line machine monitoring.

Signal-to-noise performance is typically 90 dB with peak spurious components typically better than 90 dB below full scale for signal bandwidths up to 45 kHz.

Specifications

- Input:** single-ended inputs, ± 5.0 V full scale, 10 kohm impedance
Option -007: differential inputs, ± 5.0 V full scale, 100 kohm impedance
Option -008: single-ended inputs, ± 10.0 V full scale, 10 kohm impedance
- Max. input voltage:** 2 x F.S. input voltage with respect to ground
- Input stage frequency response:** ± 0.5 dB, 10 Hz to 45 kHz
- Input channels:** software programmable from one to 32
- Input connectors:** two 37-pin (DB 37) female, compatible with standard DB 37 male connectors
- Sigma-delta filters:** digital lowpass, pass-band tracks at 45.35% of sampling rate with ± 0.003 dB ripple; stopband tracks at 55% of sampling rate with >100 dB attenuation; 0 μ s variation group delay
- A/D conversion:** 16 bits, 88 dB min. SNR; harmonic and IM components 85 dB below full scale
- A/D output coding:** 16-bit, 2's complement
- Sampling rates:** 13 selectable frequencies from 6.25 kHz to 100 kHz from internal oscillator or external TTL sample clock at 64, 128 or 256 times the desired sampling rate
- FIFO:** 16 ksample x 32 bits between A/D and MIX bus
- MIX interface:** FIFO output - one 16-bit sample per transfer in non-packed mode; two 16-bit samples per transfer in packed mode; status/control and interrupt mask registers; sample clock control; interrupts on FIFO full, half-full, empty
- Power:** 3.0 A at +5 V; 0.2 A at +12 V, 0.2 A at -12 V from the MIX bus

Features

- Up to 100 kHz sampling rate with all 32 channels active
- 16-bit resolution with 90 dB signal-to-noise performance
- Integral linear-phase, anti-aliasing filters
- Ideal for high-performance multichannel systems
- Available with differential inputs

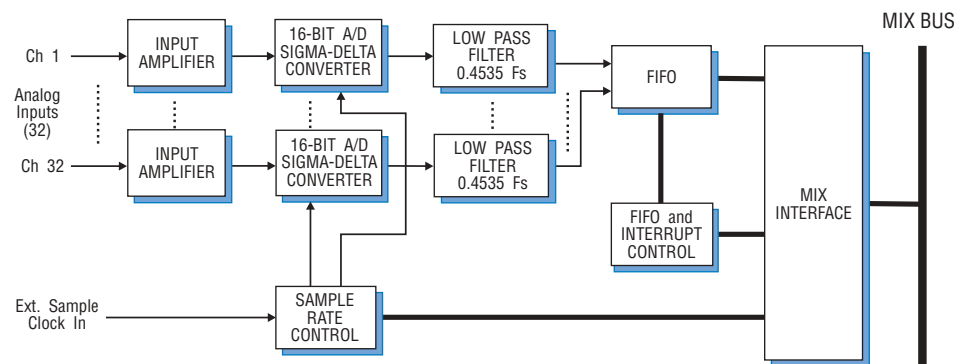
Ordering Information

Model	Description
4275B	32-Channel 16-bit A/D MIX module

Options:

- 007 Differential inputs
- 008 ± 10.0 V full scale input voltage range

Block Diagram, Model 4275B





Artisan Technology Group is your source for quality new and certified-used/pre-owned equipment

- FAST SHIPPING AND DELIVERY
- TENS OF THOUSANDS OF IN-STOCK ITEMS
- EQUIPMENT DEMOS
- HUNDREDS OF MANUFACTURERS SUPPORTED
- LEASING/MONTHLY RENTALS
- ITAR CERTIFIED SECURE ASSET SOLUTIONS

SERVICE CENTER REPAIRS

Experienced engineers and technicians on staff at our full-service, in-house repair center

*InstraView*SM REMOTE INSPECTION

Remotely inspect equipment before purchasing with our interactive website at www.instraview.com ↗

WE BUY USED EQUIPMENT

Sell your excess, underutilized, and idle used equipment. We also offer credit for buy-backs and trade-ins. www.artisanng.com/WeBuyEquipment ↗

LOOKING FOR MORE INFORMATION?

Visit us on the web at www.artisanng.com ↗ for more information on price quotations, drivers, technical specifications, manuals, and documentation

Contact us: (888) 88-SOURCE | sales@artisanng.com | www.artisanng.com