



Artisan Technology Group is your source for quality new and certified-used/pre-owned equipment

- FAST SHIPPING AND DELIVERY
- TENS OF THOUSANDS OF IN-STOCK ITEMS
- EQUIPMENT DEMOS
- HUNDREDS OF MANUFACTURERS SUPPORTED
- LEASING/MONTHLY RENTALS
- ITAR CERTIFIED SECURE ASSET SOLUTIONS

SERVICE CENTER REPAIRS

Experienced engineers and technicians on staff at our full-service, in-house repair center

*InstraView*SM REMOTE INSPECTION

Remotely inspect equipment before purchasing with our interactive website at www.instraview.com ↗

WE BUY USED EQUIPMENT

Sell your excess, underutilized, and idle used equipment. We also offer credit for buy-backs and trade-ins. www.artisanng.com/WeBuyEquipment ↗

LOOKING FOR MORE INFORMATION?

Visit us on the web at www.artisanng.com ↗ for more information on price quotations, drivers, technical specifications, manuals, and documentation

Contact us: (888) 88-SOURCE | sales@artisanng.com | www.artisanng.com



Installation Instructions

1784-PCM6/B Cable

About This Document

Use this document to install the 1784-PCM6/B cable. This cable connects the 1784-PCM6/B card to PLC-5[®] or SLC 5/04[™] processors, via their 8-pin mini-DIN connector for DH+[™] communication.

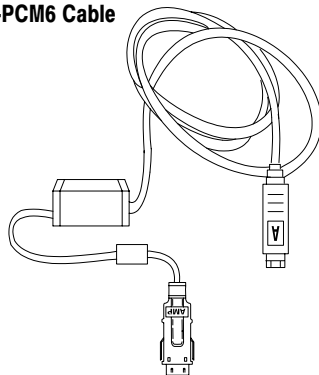
Using this cable, you can connect the 1784-PCM6/B card to the following processors:

- PLC-5/11
- PLC-5/20
- PLC-5/20C
- PLC-5/20E
- PLC-5/30
- PLC-5/40
- PLC-5/40C
- PLC-5/40L
- PLC-5/40E
- PLC-5/60
- PLC-5/60C
- PLC-5/60L
- PLC-5/80
- PLC-5/80E
- SLC 5/04

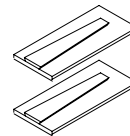
Verify Package Contents

Make sure that you have these items before you discard any packing material.

1784-PCM6 Cable



Two Wedges



20691-M

If any item is missing or incorrect,
contact your local Allen-Bradley office.

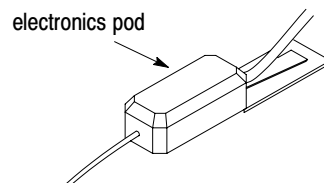
Publication 1784-5.27 – January 1997

Attach the Wedges



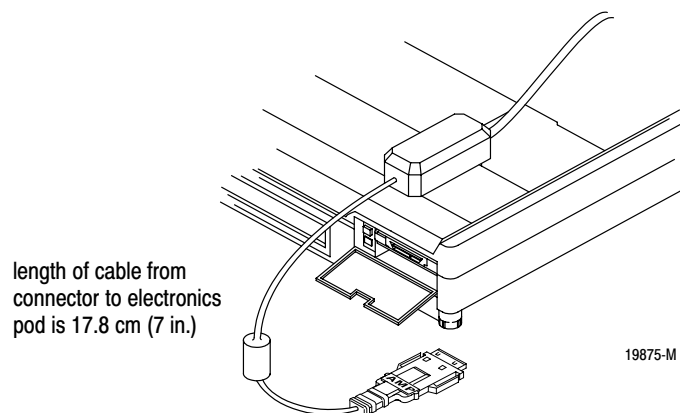
ATTENTION: You must attach the wedge that is provided with your cable to the computer. This wedge provides strain relief for the cable and secures the cable to the computer so the cable is not accidentally disconnected. If you do not use the wedge and the cable disconnects, it can damage the connector on the cable and the card.

1. Slide the wedge into the slot on the bottom of the cable's electronics pod as shown below.



19875

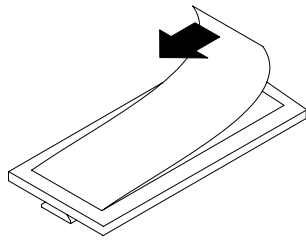
2. Position the assembly on the computer so the narrow end of the wedge is closest to the PCMCIA slot. When you find the best location for the wedge, use a pencil to mark the location on the computer.



19875-M

Publication 1784-5.27 - January 1997

3. Separate the wedge from the electronics pod.
4. Remove the paper backing from the wedge.

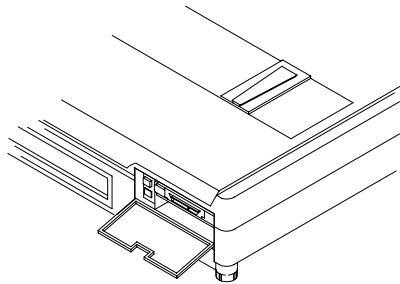


19950



ATTENTION: The adhesive on the wedge is very strong. Once you remove the protective paper and attach the wedge to the computer, you cannot remove the wedge. Be sure you are confident about the position of the wedge before you secure it.

5. Place the wedge on the computer where you marked the location.



19873

Connect the Cable

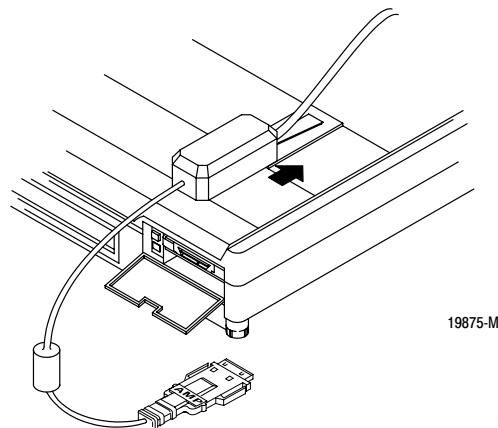
Important: When installing your 1784-PCM6/B cable, make sure you:

- securely attach the cable connector to the 1784-PCM6/B card (check this connection if you are experiencing communication problems)
- use the wedges to support the weight of the pod
- do not bump the cable or connected hardware and inadvertently disconnect the cable



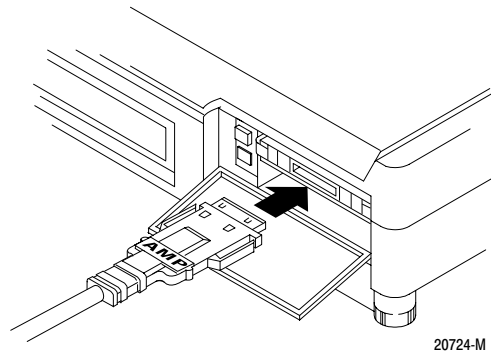
ATTENTION: The 1784-PCM6/B does not have a loopback connector. When you run the loopback diagnostic test, connect the 1784-PCM6/B cable to the 1784-PCM6/B card; **DO NOT** connect the cable to your DH+ link. Connecting the 1784-PCM6/B cable to your DH+ link will cause the test to fail and result in possible noise on your network.

1. Slide the cable's electronics pod onto the wedge on the computer.



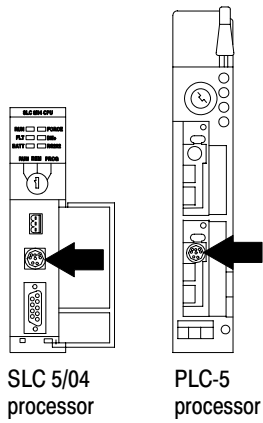
2. Attach the cable to the 1784-PCM6/B card.

The silver side should face the top of the card

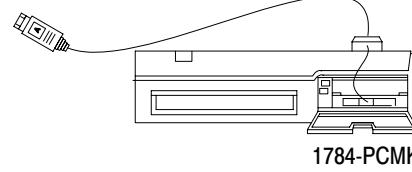


20724-M

3. Attach the cable to the processor.



to 8-pin mini-DIN connector



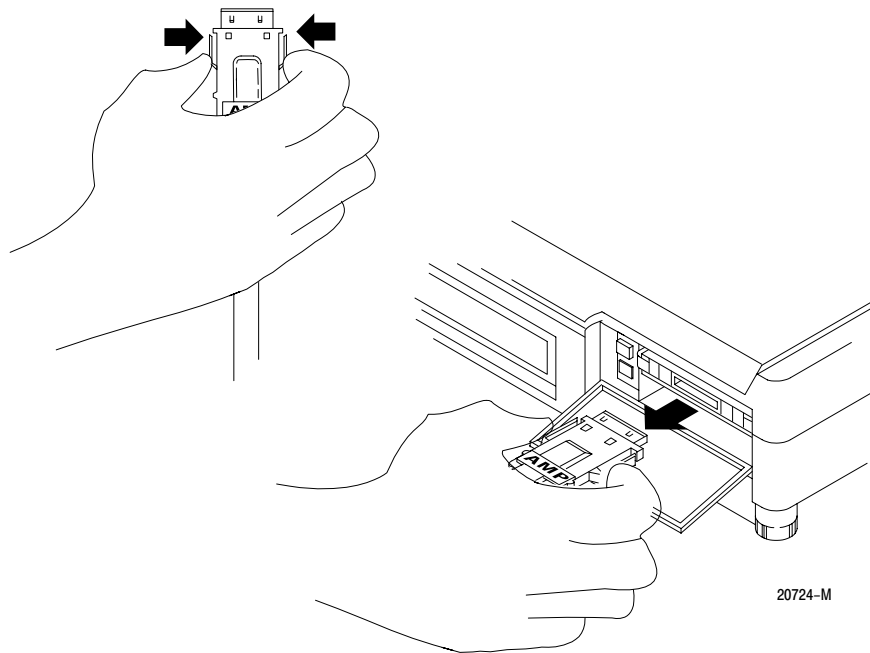
19877-I

4. Verify that you can go online with the 1784-PCM6/B card and your application software.

Removing the Cable

If you need to remove the cable:

1. Verify all communication software has been stopped.
2. Remove the cable by gently pinching the side bars and pulling the connector toward you.



20724-M

Support Services

At Allen-Bradley, customer service means experienced representatives at Customer Support Centers in key cities throughout the world for sales, service, and support. Our value-added services include:

Technical Support

- SupportPlus programs
- telephone support and 24-hour emergency hotline
- software and documentation updates
- technical subscription services

Engineering and Field Services

- application engineering assistance
- integration and start-up assistance
- field service
- maintenance support

Technical Training

- lecture and lab courses
- self-paced computer and video-based training
- job aids and workstations
- training needs analysis

Repair and Exchange Services

- your only “authorized” source
- current revisions and enhancements
- worldwide exchange inventory
- local support

PLC-5 and SLC 5/04 are trademarks of Allen-Bradley Company, Inc.

 **Rockwell** Automation

Allen-Bradley



Worldwide representation.

Argentina • Australia • Austria • Bahrain • Belgium • Brazil • Bulgaria • Canada • Chile • China, PRC • Colombia • Costa Rica • Croatia • Cyprus • Czech Republic • Denmark • Ecuador • Egypt • El Salvador • Finland • France • Germany • Greece • Guatemala • Honduras • Hong Kong • Hungary • Iceland • India • Indonesia • Ireland • Israel • Italy • Jamaica • Japan • Jordan • Korea • Kuwait • Lebanon • Malaysia • Mexico • Netherlands • New Zealand • Norway • Pakistan • Peru • Philippines • Poland • Portugal • Puerto Rico • Qatar • Romania • Russia-CIS • Saudi Arabia • Singapore • Slovakia • Slovenia • South Africa, Republic • Spain • Sweden • Switzerland • Taiwan • Thailand • Turkey • United Arab Emirates • United Kingdom • United States • Uruguay • Venezuela • Yugoslavia

Allen-Bradley Headquarters, 1201 South Second Street, Milwaukee, WI 53204 USA
Tel: (1) 414 382-2000 Fax: (1) 414 382-4444

Publication 1784-5.27 – January 1997
Supersedes Publication 1784-5.27 – April 1996

PN 955127-60
Copyright 1997 Allen-Bradley Company, Inc. Printed in USA



Artisan Technology Group is your source for quality new and certified-used/pre-owned equipment

- FAST SHIPPING AND DELIVERY
- TENS OF THOUSANDS OF IN-STOCK ITEMS
- EQUIPMENT DEMOS
- HUNDREDS OF MANUFACTURERS SUPPORTED
- LEASING/MONTHLY RENTALS
- ITAR CERTIFIED SECURE ASSET SOLUTIONS

SERVICE CENTER REPAIRS

Experienced engineers and technicians on staff at our full-service, in-house repair center

*InstraView*SM REMOTE INSPECTION

Remotely inspect equipment before purchasing with our interactive website at www.instraview.com ↗

WE BUY USED EQUIPMENT

Sell your excess, underutilized, and idle used equipment. We also offer credit for buy-backs and trade-ins. www.artisanng.com/WeBuyEquipment ↗

LOOKING FOR MORE INFORMATION?

Visit us on the web at www.artisanng.com ↗ for more information on price quotations, drivers, technical specifications, manuals, and documentation

Contact us: (888) 88-SOURCE | sales@artisanng.com | www.artisanng.com