



Artisan Technology Group is your source for quality new and certified-used/pre-owned equipment

- FAST SHIPPING AND DELIVERY
- TENS OF THOUSANDS OF IN-STOCK ITEMS
- EQUIPMENT DEMOS
- HUNDREDS OF MANUFACTURERS SUPPORTED
- LEASING/MONTHLY RENTALS
- ITAR CERTIFIED SECURE ASSET SOLUTIONS

SERVICE CENTER REPAIRS

Experienced engineers and technicians on staff at our full-service, in-house repair center

*InstraView*SM REMOTE INSPECTION

Remotely inspect equipment before purchasing with our interactive website at www.instraview.com ↗

WE BUY USED EQUIPMENT

Sell your excess, underutilized, and idle used equipment. We also offer credit for buy-backs and trade-ins. www.artisanng.com/WeBuyEquipment ↗

LOOKING FOR MORE INFORMATION?

Visit us on the web at www.artisanng.com ↗ for more information on price quotations, drivers, technical specifications, manuals, and documentation

Contact us: (888) 88-SOURCE | sales@artisanng.com | www.artisanng.com

Search Keyword or Model#

[/ Products](#) / [Linear Translation Stages](#) / [Manual Linear Stages](#) / 450A Series Compact Ball Bearing Linear Stage

450A Series Compact Ball Bearing Linear Stage


LIVE CHAT 

- Compact, stackable design
- Components mount on either side of the stage
- All steel construction
- Ultra-fine, 80-pitch drive screw



[Contact Us](#) [Feedback](#)

Model 450A Compact Ball Bearing Linear Stage incorporates ball bearing construction in a miniature package for applications where space is at a premium. The 1 in. square translating platform is supported within the frame by balls riding between opposing pairs of precision-ground, hardened rods. It is preloaded to remove wobble and play and is spring loaded against an 80-pitch lead screw for backlash-free travel.

	Model	Description	Availability	Price	Qty.
	450A	Compact Ball Bearing Linear Stage, 0.25 in. Travel, 6 lb Load Capacity	In Stock	\$286.00	<input type="text"/> <input type="button" value="ADD"/>

Features

Multi-Axis Configurations



Model 450P Adaptor Plate

Multi-axis translation systems can be assembled by attaching the frame of one stage directly to the platform of another. Adaptor Plate 450P provides a set of tapped and clearance mounting holes to accommodate post holders and other components, and to provide attachment to optical tables and breadboards.

Slightly Elevated Stage



The drive knob extends out a distance from the frame, independent of the platform travel, to minimize space requirements. To ensure clearance for overhanging components, the stage is elevated slightly above the frame.

Specifications

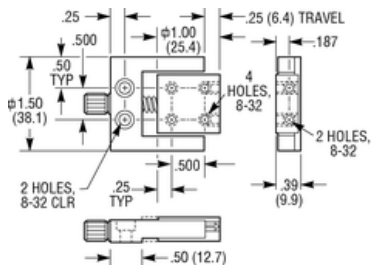
Maximum Stage Travel (in.)	0.25
Sensitivity (μm)	1
Angular Deviation(urad)	<300
Max Centered Load [lb (N)]	10 (44)
Load Capacity, Vertical [lb (N)]	6 (27)

Accessories

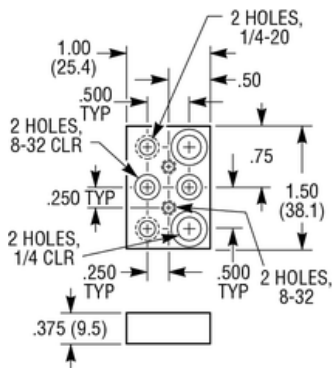
	Model	Description	Availability	Price	Qty.
	450P	Adaptor Plate, 450A Linear Stage	In Stock	\$51.00	<input type="text"/> <input type="button" value="ADD"/>

Dimensions

Model 450A



Model 450P





Artisan Technology Group is your source for quality new and certified-used/pre-owned equipment

- FAST SHIPPING AND DELIVERY
- TENS OF THOUSANDS OF IN-STOCK ITEMS
- EQUIPMENT DEMOS
- HUNDREDS OF MANUFACTURERS SUPPORTED
- LEASING/MONTHLY RENTALS
- ITAR CERTIFIED SECURE ASSET SOLUTIONS

SERVICE CENTER REPAIRS

Experienced engineers and technicians on staff at our full-service, in-house repair center

*InstraView*SM REMOTE INSPECTION

Remotely inspect equipment before purchasing with our interactive website at www.instraview.com ↗

WE BUY USED EQUIPMENT

Sell your excess, underutilized, and idle used equipment. We also offer credit for buy-backs and trade-ins. www.artisanng.com/WeBuyEquipment ↗

LOOKING FOR MORE INFORMATION?

Visit us on the web at www.artisanng.com ↗ for more information on price quotations, drivers, technical specifications, manuals, and documentation

Contact us: (888) 88-SOURCE | sales@artisanng.com | www.artisanng.com