



Artisan Technology Group is your source for quality new and certified-used/pre-owned equipment

- FAST SHIPPING AND DELIVERY
- TENS OF THOUSANDS OF IN-STOCK ITEMS
- EQUIPMENT DEMOS
- HUNDREDS OF MANUFACTURERS SUPPORTED
- LEASING/MONTHLY RENTALS
- ITAR CERTIFIED SECURE ASSET SOLUTIONS

SERVICE CENTER REPAIRS

Experienced engineers and technicians on staff at our full-service, in-house repair center

*InstraView*SM REMOTE INSPECTION

Remotely inspect equipment before purchasing with our interactive website at www.instraview.com ↗

WE BUY USED EQUIPMENT

Sell your excess, underutilized, and idle used equipment. We also offer credit for buy-backs and trade-ins. www.artisanng.com/WeBuyEquipment ↗

LOOKING FOR MORE INFORMATION?

Visit us on the web at www.artisanng.com ↗ for more information on price quotations, drivers, technical specifications, manuals, and documentation

Contact us: (888) 88-SOURCE | sales@artisanng.com | www.artisanng.com

ES1000.2 Housing

User's Guide

Copyright

The data in this document may not be altered or amended without special notification from ETAS GmbH. ETAS GmbH undertakes no further obligation in relation to this document. The software described in it can only be used if the customer is in possession of a general license agreement or single license. Using and copying is only allowed in concurrence with the specifications stipulated in the contract.

Under no circumstances may any part of this document be copied, reproduced, transmitted, stored in a retrieval system or translated into another language without the express written permission of ETAS GmbH.

© **Copyright 2000** ETAS GmbH, Stuttgart

The names and designations used in this document are trademarks or brands belonging to the respective owners.

Document QH101101 R1.0.2 EN

TTN F 00K 700 425

Contents

- 1 Introduction 5
 - 1.1 Block Diagram 6
- 2 Features 7
 - 2.1 Slots 7
 - 2.2 Backplane 7
 - 2.3 Fan 7
 - 2.4 Power Supply 7
- 3 Power Supply 8
 - 3.1 Displays 8
 - 3.2 Switches 9
 - 3.3 Connectors 9
- 4 Operation 10
 - 4.1 Installation of VMEbus Boards 10
 - 4.2 Removal of VMEbus Boards 10
 - 4.3 Automatic Overcurrent Protection 11

5	Technical Data	12
6	ETAS Contact Addresses	15
	Index	17

1 Introduction

The ES1000 system comes in a strong, EMC-tight metal housing (ES1000.2) making it ideal for mobile use in an automobile. It has nine VME slots, eight of which are available for additional interface cards. The ES1000 housing has an actively terminated VME64x backplane.

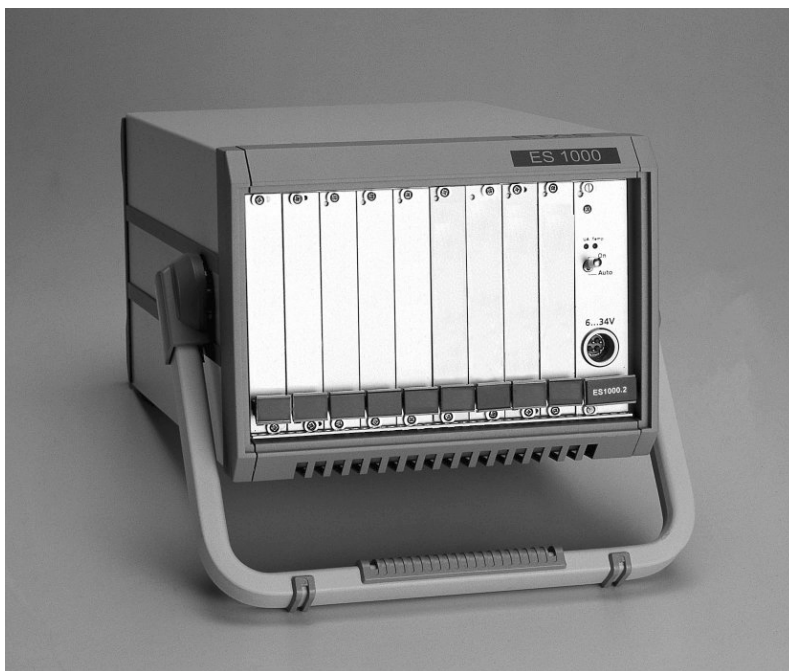


Fig. 1-1 ES1000.2 Housing

1.1 Block Diagram

The figure below is a block diagram showing the housing functions.

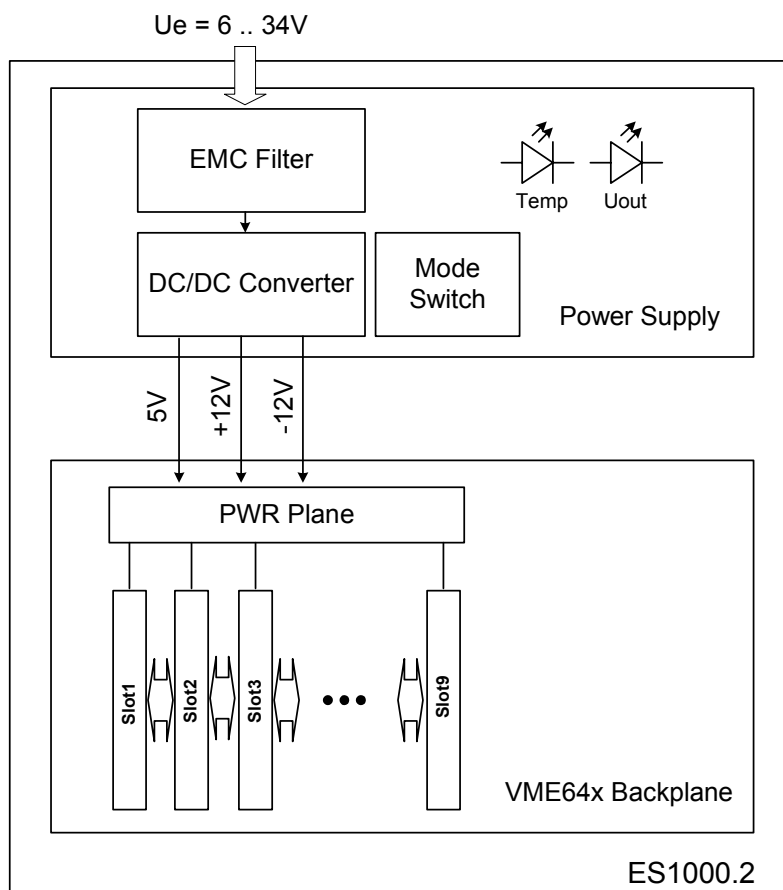


Fig. 1-2 Block Diagram of the ES1000.2 Housing

2 Features

2.1 Slots

The housing has 9 slots with a width of 4 HP each. The slots are designed for standard Eurocard-size boards measuring 100 mm x 160 mm. The front panel height of the boards is 3 U.

2.2 Backplane

The backplane of the housing is 160-pin. The pin assignment corresponds to the extended VMEbus standard, VME64x. Both VMEbus standard and extended VME64x standard boards can be used.

2.3 Fan

The housing is equipped with three temperature-controlled fans. The quantity of air supplied automatically adapts to the heat emission of the boards and the temperature of the ambient air.

2.4 Power Supply

Power is supplied via a Lemo jack using the K100 cable. During mobile operation, power must be supplied to the system from the "continuous plus" of the vehicle's onboard power supply.

note

During continuous operation at high ambient temperatures, the input voltage should be at least 8 V.

3 Power Supply

The power supply of the ES1000.2 housing is also specifically suited for use in an automobile. It has the following equipment features:

- broad input voltage range
- transient filter (meets ISO 7637-1)
- active reverse-connect protection
- output voltage monitoring
- temperature monitoring
- sustained-short-circuit-proof
- power monitor in accordance with VMEbus specification (ACFAIL/SYSRESET)

The following figure shows the front panel of the power supply:

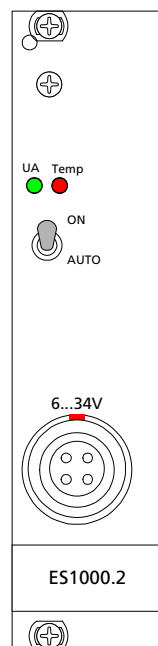


Fig. 3-1 Front Panel of the ES1000.2 Power Supply

3.1 Displays

There are two LED displays on the front panel of the power supply:

8 Power Supply

- voltage monitoring (green): if the green LED is lit, all output voltages are within their nominal range.
- temperature check (red): if the red LED is lit, the ES1000.2 should be switched off to prevent damage from overheating.

3.2 Switches

- ON means it is in operation
- AUTO means the power supply is switched off

3.3 Connectors

The voltage is supplied via a Lemo connection. The following figure shows the Lemo jack - the pin assignment is listed in the table.

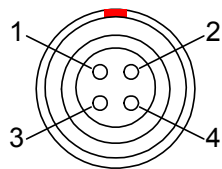


Fig. 3-2 Connectors for the Power Supply

Pin	Function	Pin	Function
1	'Continuous plus'	2	Ground
3	'Continuous plus'	4	Ground

Tab. 3-1 Pin Assignment: Power Supply

4 **Operation**

This section provides information about the installation and removal of the VMEbus boards and automatic overcurrent protection of the housing.

4.1 **Installation of VMEbus Boards**

Some VMEbus boards need to be configured before they can be installed. Take a look at the relevant board manual for details.

note

The boards may only be configured and installed at a workplace that is protected against electrostatic discharges.

Installing a Board

1. Turn off the power to the housing. Check that all devices connected to the housing by cable have also been powered off.
2. If the slot in which you want to install the board is protected by a cover, remove this cover.
3. Insert the board into the slot. Make sure that the top and bottom of the board smoothly slide into the guide rails.
4. Push the board in until the connector securely locks into place.
5. Tighten the mounting screws for the front panel of the board.
6. Connect the required cables to the front panel connectors.

4.2 **Removal of VMEbus Boards**

note

The boards may only be removed at a workplace that is protected against electrostatic discharges.

Removing a Board

1. Turn off the power to the housing. Check that all devices connected to the housing by cable have also been powered off.

2. Disconnect all connectors from the board you want to remove.
3. Loosen the mounting screws at the top and bottom edge of the board's front panel.
4. Grasp the handle of the board and carefully pull it out.
5. Slide the board into its storage package or an anti-static bag.
6. Secure the slot with a protective cover.

4.3 Automatic Overcurrent Protection

The AC unit in the housing is provided with an automatic overcurrent protection. If the AC unit detects an overcurrent condition for an output voltage, it shuts down all outputs. The corresponding front panel LED goes out. The AC unit's overcurrent protection can be reset by briefly switching it off.

Resetting the Automatic Overcurrent Protection

1. Turn off the power to the housing.
2. Wait approximately one minute.
3. Turn the power to the housing back on.

5 Technical Data

This section contains the technical data on the ES1000.2 housing in tabular form.

Mechanical structure	19" housing
Slots	9 slots (4 HP wide) for standard Eurocard-size boards (100 mm x 160 mm)

Housing

Height	180 mm
Width	235 mm
Depth	360 mm
Ambient temperature	-40...+70 °C

Power Supply

Size	19", 3 U, half width
Dimensions (L x W x H)	35.5 x 23.5 x 17.5 cm
Input voltage	6...34 V DC, min. 8 V for continuous operation
Power input	typ. 50...60 W, max. 150 W
Output voltage/current	5 V max. 15 A 12 V max 1 A
Residual ripple	< 50 mV _{SS}

Backplane

Standard	VME64x
Number of pins	160 per slot
Compatibility	Standard VMEbus VME64x

Fan

Control	Temperature sensor in the area of the boards
---------	---

6 **ETAS Contact Addresses**

ETAS HQ

ETAS GmbH

Borsigstr. 14	Phone:	+49 (711) 8 96 61-0
70469 Stuttgart	Fax:	+49 (711) 8 96 61-105
Germany	E-mail:	sales@etas.de
	WWW:	www.etas.de

France

ETAS SAS

1, place des Etats-Unis	Phone:	+33 (1) 56 70 00 50
SILIC 310	Fax:	+33 (1) 56 70 00 51
94588 Rungis Cedex	E-mail:	sales@etas.fr
France	WWW:	www.etas.fr

Great Britain

ETAS Engineering Tools Application and Services Ltd.

Studio 3, Waterside Court	Phone:	+44 (0) 1283 - 546512
3rd Avenue, Centrum 100	Fax:	+44 (0) 1283 - 548767
Burton-upon-Trent	E-mail:	sales@etas-uk.net
Staffordshire DE14 2WQ	WWW:	www.etas-uk.net
England		

Japan

ETAS K.K.

9-1, Ushikubo 3-chome,	Phone:	+81 (45) 912-9550
Tsuzuki-ku	Fax:	+81 (45) 912-9552
Yokohama 224-0012	E-mail:	sales@etas.co.jp
Japan	WWW:	www.etas.co.jp

Korea

ETAS Korea Co. Ltd.

3F, Samseung Bldg.	Phone:	+82 (2) 5747 016
61-1, Yangjae-dong	Fax:	+82 (2) 5747 120
Seocho-gu	E-mail:	sungik.hong@etas.co.kr
Seoul		
Republic of Korea		

North America

ETAS Inc.

3021 Miller Road	Phone:	+1 (888) ETAS INC
Ann Arbor, MI 48103	Fax:	+1 (734) 997-9449
USA	E-mail:	sales@etasinc.com
	WWW:	www.etasinc.com

South America

UNIT

Av. Cel Amancio Bueno, 30	Phone:	+55 (19) 3242 0620
Jd. Chapadao	Fax:	+55 (19) 3241 96 96
Campinas SP 13066 740	E-mail:	unit@mpc.com.br
Brazil		

Index

B

Backplane 7
Block diagram 6
Board
 installation 10
 removal 10

C

Connectors 9

D

Data
 backplane 12
 fan 13
 housing 12
 power supply 12
Displays 8

F

Fan 7
Features 7

I

Introduction 5

O

Operation 10
Overcurrent protection 11

P

Power supply 7, 8

R

Resetting
 overcurrent protection 11

S

Slots 7
Switches 9



Artisan Technology Group is your source for quality new and certified-used/pre-owned equipment

- FAST SHIPPING AND DELIVERY
- TENS OF THOUSANDS OF IN-STOCK ITEMS
- EQUIPMENT DEMOS
- HUNDREDS OF MANUFACTURERS SUPPORTED
- LEASING/MONTHLY RENTALS
- ITAR CERTIFIED SECURE ASSET SOLUTIONS

SERVICE CENTER REPAIRS

Experienced engineers and technicians on staff at our full-service, in-house repair center

*InstraView*SM REMOTE INSPECTION

Remotely inspect equipment before purchasing with our interactive website at www.instraview.com ↗

WE BUY USED EQUIPMENT

Sell your excess, underutilized, and idle used equipment. We also offer credit for buy-backs and trade-ins. www.artisanng.com/WeBuyEquipment ↗

LOOKING FOR MORE INFORMATION?

Visit us on the web at www.artisanng.com ↗ for more information on price quotations, drivers, technical specifications, manuals, and documentation

Contact us: (888) 88-SOURCE | sales@artisanng.com | www.artisanng.com