



Artisan Technology Group is your source for quality new and certified-used/pre-owned equipment

- FAST SHIPPING AND DELIVERY
- TENS OF THOUSANDS OF IN-STOCK ITEMS
- EQUIPMENT DEMOS
- HUNDREDS OF MANUFACTURERS SUPPORTED
- LEASING/MONTHLY RENTALS
- ITAR CERTIFIED SECURE ASSET SOLUTIONS

SERVICE CENTER REPAIRS

Experienced engineers and technicians on staff at our full-service, in-house repair center

*InstraView*SM REMOTE INSPECTION

Remotely inspect equipment before purchasing with our interactive website at www.instraview.com ↗

WE BUY USED EQUIPMENT

Sell your excess, underutilized, and idle used equipment. We also offer credit for buy-backs and trade-ins. www.artisanng.com/WeBuyEquipment ↗

LOOKING FOR MORE INFORMATION?

Visit us on the web at www.artisanng.com ↗ for more information on price quotations, drivers, technical specifications, manuals, and documentation

Contact us: (888) 88-SOURCE | sales@artisanng.com | www.artisanng.com

ES1120.2

System Controller Board

User's Guide

Copyright

The data in this document may not be altered or amended without special notification from ETAS GmbH. ETAS GmbH undertakes no further obligation in relation to this document. The software presented herein is provided on the basis of a general license agreement or a single license. Using and copying is only allowed in concurrence with the specifications stipulated in the contract.

Under no circumstances may any part of this document be copied, reproduced, transmitted, stored in a retrieval system or translated into another language without the express written permission of ETAS GmbH.

© **Copyright 2000** ETAS GmbH, Stuttgart

The names and designations used in this document are trademarks or brands belonging to the respective owners.

Document QH112101 R2.0.1 EN

TTN F 00K 102 552

Contents

1	Introduction	5
1.1	Functions	5
1.2	Areas of Implementation	7
1.3	Block Diagram	8
2	Hardware	9
2.1	Functional Description	9
2.1.1	Main Processor - MPC750	9
2.1.2	VMEbus Interface	11
2.1.3	MPC860T CommunicationProcessor	12
2.1.4	Ethernet Interface.	13
2.1.5	Dual-Ported RAM	13
2.1.6	Power Supply	14
2.2	Hardware Configuration	14
2.3	Pin Allocation	14
2.3.1	"Serial" Plug Connector	15
2.3.2	"PC" Plug Connector	16
2.3.3	Backplane Connector	16
2.4	PC Connection Cable	17
2.5	Technical Data	18

3	Firmware	21
3.1	Program Execution	21
3.1.1	MPC860T.....	21
4	ETAS Contact Addresses	23
	List of Figures	25
	List of Tables.....	27
	Index	29

4 **Contents**

1 Introduction

This section contains information about the basic features and areas of implementation of the ES1120.2 System Controller Board. A block diagram is also included here to show the schematic layout of the board.

note

Some components of the board may be damaged or destroyed by electrostatic discharges. Please keep the board in its storage package until it is installed. The board should only be taken from its package, configured and installed at a working place that is protected against static discharge.

1.1 Functions

The ES1120.2 System Controller Board is a universal processor module for VMEbus systems. The module is composed of two PowerPC processors: an MPC750, the high-performance main processor, and an MPC860T which acts as a communication processor. The two processors are linked using a Dual-Ported RAM. Each of the two processors has its own Flash ROM as program memory and its own RAM.

The MPC750 processor is equipped with a VMEbus interface. The VMEbus interface is designed for both master and slave access. The board can also be used as the system controller.

The MPC860T communication processor has an Ethernet interface. The interface can either be operated with 10 or 100 MBit/s. The data rate is recognized automatically.

The board has the following features:

- fully adapted to automotive requirements, temperature range of -40 ... 85°C
- high-performance main processor
 - MPC750 PowerPC with L2 cache
 - SDRAM (SO-DIMM)
 - Flash memory
 - EEPROM
 - Dual-Ported RAM to the VME bus (slave)
 - serial interface

- VMEbus interface
 - master interface: A16:D16, A24:D16, A40:MD32
 - slave interface: A24:D16, A40:MD32
 - interrupt controller
 - system controller with automatic activation
 - bus timer: BTO (256)
 - auto-ID configuration
- high-performance host interface via Ethernet
 - PowerPC MPC860T
 - SRAM
 - Flash memory
 - Ethernet 10/100 MBit/s, automatic recognition
 - serial interface
 - Dual-Ported RAM to the MPC750
- JTAG interface as a test interface
- extension socket

The following figure shows the front panel and the position of the plug connectors.

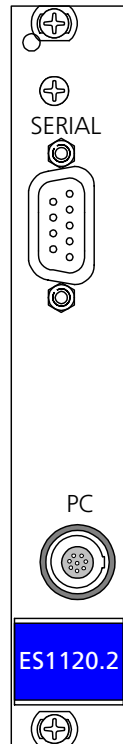


Fig. 1-1 Front Panel

1.2 Areas of Implementation

The ES1120.2 System Controller Board can be used in VMEbus systems wherever high performance is necessary. The Ethernet interface provides a simple link to host PCs.

Possible areas of implementation include:

- high-performance simulation processor for real-time applications.
- control of VMEbus boards for data acquisition and signal generation.

1.3 Block Diagram

The following figure shows you a block diagram of the ES1 120.2 System Controller Board.

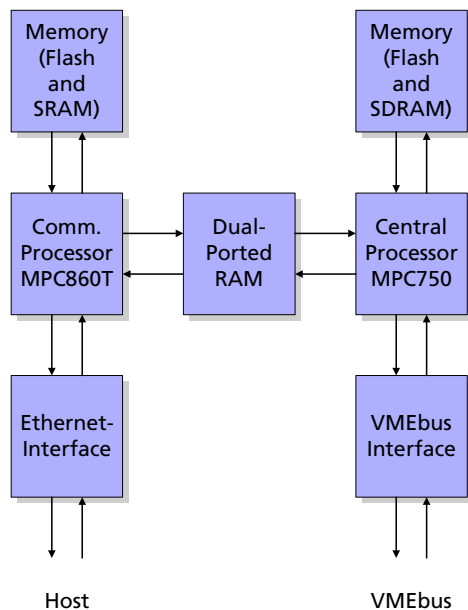


Fig. 1-2 Block Diagram of the Board

On the left of the block diagram, you can see the communication processor (MPC860T) and, on the right, the main processor, MPC750. Both processors have their own memory areas which are composed of Flash ROM and RAM. Data is exchanged between the processors via the shared Dual-Ported RAM.

The communication processor, MPC860T, is equipped with an Ethernet interface. The Ethernet interface can be operated with 10 or 100 MBit/s.

The connection to the VMEbus takes place via an interface of the main processor, MPC750. The interface allows both master and slave access attempts to the VMEbus.

2 Hardware

This section contains a detailed functional description, the pin allocation of the connectors and the technical data of the board.

2.1 Functional Description

This section describes each feature of the ES1120.2 System Controller Board. You will find information on the following subjects:

- main processor, MPC750
- VMEbus interface
- communication processor, MPC860T
- Ethernet interface
- Dual-Ported RAM
- power supply

2.1.1 Main Processor - MPC750

The MPC750 processor is the central processing unit of the board. It works with a clock rate of 366 MHz.

The following sections provide you with detailed information on the components of this unit.

Memory

The MPC750 can address the following memory areas.

Memory Area	Size
SDRAM	64 MBytes
VMEbus master A24	16 MBytes
VMEbus master A40	1 GByte
Dual-Ported RAM to the MPC860T	256 KBytes
Dual-Ported RAM to the VMEbus	256 KBytes
EEPROM	8 KBytes
Flash ROM	8 MBytes

Tab. 2-1 Memory Areas of the MPC750

32-Bit-Counter (Decrementer)

The MPC750 has two 32-bit counters at its disposal. The counters are loaded with a start value by writing to register addresses. Once the relevant release bits have been set in the status register, the counters are counted downwards at a rate of 16.66 MHz. The overflow from 0 to -1 results in an interrupt.

Watchdog

The board's watchdog can be programmed to the intervals 4027 ms, 1007 ms, 252 ms and 63 ms. Once the supply voltage has been switched on, the longest interval is set and the watchdog released. The watchdog can be locked via a bit in the status register but can only be released by a switch-on cycle. A certain byte sequence has to be written to the watchdog service register to reset the watchdog.

Interrupt Controller

The MPC750 can react to interrupts from different sources. The following interrupt sources can occur:

- interrupt of the 32-bit counters
- interrupts from the VMEbus
- MPC860T communication interrupt
- VMEbus slave communication interrupt

Different interrupt levels can be assigned to the different interrupt sources using registers. Fixed vectors and priorities are allocated to the interrupt levels.

Interrupt level 0 has the highest priority and interrupt level 15 the lowest.

Every interrupt level can be released or locked individually using an interrupt mask register.

Board Control and Status Register (BCSR)

The board control and status register is composed of different registers with which different features and statuses of the board can be controlled or read.

The following are some of the available registers:

- configuration register board
- status register board
- interrupt controller: configuration and mask register
- counter
- system time
- VMEbus configuration and control register

- watchdog service register

The registers are used by the board's firmware for controlling and monitoring the hardware functions.

2.1.2 VMEbus Interface

The VMEbus interface can act both as a master and as a slave interface.

The board is linked as a VMEbus slave using shared memory areas which are in the address space of the VMEbus and MPC750.

Master Interface

The master interface can execute A16, A24 and A40 accesses. Please consult the following table for the size of the allocated memory areas and the relevant address modifiers.

Memory Area	Modifier	Size
A24 supervisory BLT	3F	16 MBytes
A24 supervisory program	3E	16 MBytes
A24 supervisory data	3D	16 MBytes
A24 non-privileged BLT	3B	16 MBytes
A24 non-privileged program	3A	16 MBytes
A24 non-privileged data	39	16 MBytes
CR/CSR	2F	16 MBytes
A16 non-privileged access	29	64 KBytes
A16 supervisory access	2D	64 KBytes
Vector fetch	-	14 bytes
A40	34	1 GByte

Tab. 2-2 Access Variants of the VMEbus Master Interface

It is allowed for the MPC750 as VMEbus master to access the card-specific configuration ROM / control and status register area (CR/CSR) in A24 mode.

The MPC750 is *not*, however, allowed to access the card-specific Dual-Ported RAM as VMEbus master. This memory area can be read and written directly.

Before there is a master access to the VMEbus, the requester level and mode have to be set via the board control and status register. The ES1120.2 System Controller Board supports a single-level arbiter.

The requester mode is oriented to the particular implementation. The setting "release on request" is the most sensible for single-master systems.

In A40 mode, the MPC750 can address the entire A40 address space of the VMEbus. The larger A40 address space is mapped to the smaller MPC750 address space via a segment register. The VMEbus A40 address is composed of the bottom 30 bits of the MPC750 access address and 10 bits from the segment register.

Slave Interface

The VMEbus slave interface allows the VMEbus to access the Dual-Ported RAM shared by the MPC750 and VMEbus.

The slave interface supports both A24 and A40 access attempts. The basic address via which the Dual-Ported RAM can be accessed by the VMEbus, is determined via a register in the CR/CSR area.

The Dual-Ported RAM is *not* allowed to be accessed via the proprietary VMEbus master interface.

Configuration ROM / Control and Status Register (CR/CSR) Slave

The CR/CSR slave makes various configuration and status registers available for the configuration of the board in concurrence with the VME64 norm.

The address position of the CR/CSR area is determined by the auto-ID cycle after the supply voltage has been switched on.

The CR/CSR registers can be divided into the following areas:

- configuration ROM in concurrence with the VME64 norm
- card-specific configuration ROM
- card-specific control and status register
- control and status register in concurrence with the VME64 norm

VMEbus Slot1 Controller

The ES1120.2 System Controller Board can independently recognize whether it should act as a system controller or not. The ES1120.2 assumes this function if it is in Slot1.

2.1.3 MPC860T CommunicationProcessor

The MPC860T communication processor controls data transfer via the Ethernet interface. It has its own Flash ROM and SRAM, as well as an internal interrupt logic.

Data is exchanged between the MPC860T communication processor and the main processor, MPC750, via the shared Dual-Ported RAM.

The MPC860T also makes several other functions available:

- board reset

- reset of the MPC750
- reset of the Ethernet interface driver
- /SYSRES of the VMEbus
- switching of the boot memory for the MPC750 from Flash or Dual-Ported RAM
- switching of the boot memory from Flash or Dual-Ported RAM
- programming interface for firmware, EPLD and FPGA
- BDM interface

2.1.4 Ethernet Interface

The board is equipped with an Ethernet interface in concurrence with the 10/100BaseT standard. To be able to come up to the requirements of operation in automotive vehicles, a plug connector is used that does not actually conform to this standard.

The Ethernet interface is responsible for the connection of the ES1120.2 System Controller Board to a host processor. The interface can be operated either with 10 or 100 MBit/s, half or full-duplex. Switching takes place automatically.

Every ES1120.2 System Controller Board is equipped with an individual Ethernet address (MAC address) and a standard IP address. The standard settings of the board when it is delivered to the customer can be found in the section "Ethernet, IP Address and Subnet Mask" on page 19.

note

The PC connection cable CBE100-3 which is part of the delivery scope of the ES1120.2 board is only suitable for the direct connection to a host system.

2.1.5 Dual-Ported RAM

The Dual-Ported RAM is used for the data exchange between the main processor, MPC750, and the communication processor, MPC860T. The access of the two processors to the shared memory area is controlled by a semaphore register.

The MPC860T can determine whether the MPC750 loads its boot program from the Flash memory or from the Dual-Ported RAM after a reset via an output. This mechanism makes it possible to load programs for the MPC750 via the Ethernet interface of the MPC860T.

2.1.6 Power Supply

The board has its own +3.3 V voltage regulator. This means it can be operated in card cages which only make +5 V supply voltage available. If the card cage makes +3.3 V available, the card automatically switches to the external supply with +3.3 V.

2.2 Hardware Configuration

The board has *no* jumpers or solder straps which you can configure.

2.3 Pin Allocation

This section contains the pin allocation of the front-facing connectors and the backplane connector of the ES1120.2 System Controller Board.

2.3.1 "Serial" Plug Connector

The "Serial" plug connector has three lines for the serial interface of the MPC750 main processor.

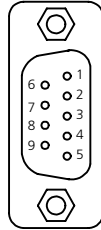


Fig. 2-1 "Serial" Plug Connector

Pin	Function	Pin	Function
1	reserved	2	RxD
3	TxD	4	reserved
5	GND	6	open
7	reserved	8	reserved
9	open		

Tab. 2-3 "Serial" Pin Allocation

2.3.2 "PC" Plug Connector

The "PC" plug connector contains the lines for the Ethernet interface. The plug connector is designed as a eight-pin Lemo socket of size 1B.

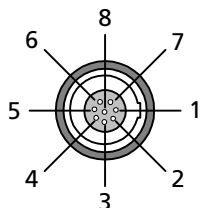


Fig. 2-2 "PC" Plug Connector

Pin	Function	Pin	Function
1	n.c.	5	TX-
2	n.c.	6	RX-
3	n.c.	7	n.c.
4	RX+	8	TX+

Tab. 2-4 "PC" Pin Allocation

2.3.3 Backplane Connector

The following table shows the allocation of the 160-pin backplane connector. The signals marked "/" are low-active.

Pin	Row z	Row a	Row b	Row c	Row d
1	open	D00	/BBSY	D08	open
2	GND	D01	/BCLR	D09	open
3	open	D02	/ACFAIL	D10	open
4	GND	D03	/BG0IN	D11	open
5	open	D04	/BG0OUT	D12	open
6	GND	D05	/BG1IN	D13	open
7	open	D06	/BG1OUT	D14	open
8	GND	D07	/BG2IN	D15	open
9	open	GND	/BG2OUT	GND	open
10	GND	SYSCLK	/BG3IN	/SYSFAIL	open
11	open	GND	/BG3OUT	/BERR	open

Tab. 2-5 VME 64 Pin Allocation

Pin	Row z	Row a	Row b	Row c	Row d
12	GND	/DS1	/BR0	/SysReset	open
13	open	/DS0	/BR1	/LWORD	open
14	GND	/WRITE	/BR2	AM5	open
15	open	GND	/BR3	A23	open
16	GND	/DTACK	AM0	A22	open
17	open	GND	AM1	A21	open
18	GND	/AS	AM2	A20	open
19	open	GND	AM3	A19	open
20	GND	/ACK	GND	A18	open
21	open	/ACKIN	res.	A17	open
22	GND	/ACKOUT	res.	A16	open
23	open	AM4	GND	A15	open
24	GND	A07	/IRQ7	A14	open
25	open	A06	/IRQ6	A13	open
26	GND	A05	/IRQ5	A12	open
27	open	A04	/IRQ4	A11	open
28	GND	A03	/IRQ3	A10	open
29	open	A02	/IRQ2	A09	open
30	GND	A01	/IRQ1	A08	open
31	open	-12 V	+5 V Stby	+12 V	open
32	GND	+5 V	+5 V	+5 V	open

Tab. 2-5 VME 64 Pin Allocation

2.4 PC Connection Cable

A special cable is needed to connect the ES1130.2 Simulation Controller Board to the PC: the cable is perfectly adapted to the requirements (resulting from the high transfer rates).

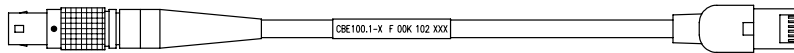


Fig. 2-3 PC Connection Cable CBE100-X

The following table provides you with more information on other available types of cable and their order numbers.

Order Designation	Abbreviation	Order Number
PC connection cable, 3 m	CBE100-3	F 00K 102 559
PC connection cable, 8 m	CBE100-8	F 00K 102 571
PC connection cable, 20 m	CBE100-20	F 00K 102 570

2.5 Technical Data

This section contains the technical data on the ES1120.2 System Controller Board in tabular form.

MPC750 Main Processor

Microprocessor	MPC750 PowerPC, 366 MHz, 64-bit 1 MByte L2 cache, bus rate 66 MHz
Memory	64-MByte SDRAM (SO-DIMM, 64 bit/burst) 8-MByte Flash (64-bit) 8-KByte parallel EEPROM 256-KByte Dual-Ported RAM to the VMEbus 256-KByte Dual-Ported RAM to the MPC860T
Function modules	2 counters, 32-bit, programmable Watchdog, programmable Interrupt controller, programmable

MPC860T Communication Processor

Microprocessor	MPC860T PowerPC, bus rate 50 MHz
Memory	1-MByte SRAM 4-MByte Flash 256-KByte Dual-Ported RAM to the MPC750

Ethernet, IP Address and Subnet Mask

Type	10/100BaseT, automatic configuration
Ethernet address (MAC)	Individual for each board
IP address	192.168.40.10
Subnet mask	255.255.255.0

VMEbus

Type	Master interface and slave interface
Access types: master interface	A16:D16; A24:D16; A40:MD32
Access types: slave interface	A24:D16; A40:MD32
Interrupter	2 interrupters; levels 1 to 7, programmable
Interrupt handler	2 interrupt handlers; levels 1 to 7, programmable
System controller	Automatic Slot1 detection
Bus timer	BTO (256)
Configuration	Auto-ID procedure

Power Supply

With exclusive powering with +5 V	+5 (-0.125, +0.25) V DC, max. 2400 mA
With powering with +3.3 V and +5 V	+3.3 V DC, $\pm 5\%$, max. 3600 mA +5 (-0.125, +0.25) V DC, max. 500 mA

Environmental Conditions

Ambient temperature during operation	-40 °C to +85 °C (extended temperature range)
Storage temperature	-55 °C to +85 °C
Relative humidity	0 to 95%, no condensation

Plug Connectors

Backplane	160-pin DIN 41612
Front panel	Serial: 9-pin D-Sub, Ethernet: 8-pin Lemo, size 1B

Physical Dimensions

Circuit board	100 x 160 mm ²
Front panel	Height: 3 U Width: 4 HP

3 **Firmware**

This section contains the description of the ES1120.2 System Controller Board firmware. As the ES1120.2 board contains two processors, the implemented firmware is also divided into two separate parts:

The MPC860T firmware establishes the communication between the host PC and the main processor, MPC750. Additional tasks are:

- booting the MPC750 processor
- loading the programs for the MPC750
- updating the programmable devices (FPGA and EPLDs)
- controlling firmware updates

3.1 **Program Execution**

After power-on both processors boot from their Flash memory. The following sections give a short introduction to the firmware functionality of both controllers.

3.1.1 **MPC860T**

Once switched on the processor initializes all the relevant peripherals, e.g. the RS232 and Ethernet interfaces. A system task is started that waits for a communication link to be established. The host PC initiates the establishing of the TCP/IP connection. It uses the default address 192.168.40.10 and port 18001 of the ES1120.2 System Controller Board.

Once the connection has been established, additional data channels can be created with different port numbers. Currently one extra socket is created as a data channel with the port number 18002.

After setting up the communication, the MPC860T acts as a transparent gateway for the incoming INCA messages from the host.

If the host communication breaks down for any reason, all related tasks on the MPC860T are shut down and restarted. Afterwards a new communication session may be established by the host.

4 **ETAS Contact Addresses**

ETAS HQ

ETAS GmbH

Borsigstr. 14	Phone:	+49 (711) 8 96 61-0
70469 Stuttgart	Fax:	+49 (711) 8 96 61-105
Germany	E-mail:	sales@etas.de
	WWW:	www.etas.de

France

ETAS SAS

1, place des Etats-Unis	Phone:	+33 (1) 56 70 00 50
SILIC 310	Fax:	+33 (1) 56 70 00 51
94588 Rungis Cedex	E-mail:	sales@etas.fr
France	WWW:	www.etas.fr

Great Britain

ETAS Engineering Tools Application and Services Ltd.

Studio 3, Waterside Court	Phone:	+44 (0) 1283 - 546512
3rd Avenue, Centrum 100	Fax:	+44 (0) 1283 - 548767
Burton-upon-Trent	E-mail:	sales@etas-uk.net
Staffordshire DE14 2WQ	WWW:	www.etas-uk.net
England		

Japan

ETAS K.K.

9-1, Ushikubo 3-chome,	Phone:	+81 (45) 912-9550
Tsuzuki-ku	Fax:	+81 (45) 912-9552
Yokohama 224-0012	E-mail:	sales@etas.co.jp
Japan	WWW:	www.etas.co.jp

Korea

KESS Korean ETAS Sales and Service

3F Samseung Bldg	Phone:	+82 (2) 5747 016
61-1, Yangjae-dong	Fax:	+82 (2) 5747 120
Seocho-gu	E-mail:	kesshong@kornet.net
Seoul		
Republic of Korea		

North America

ETAS Inc.

3021 Miller Road	Phone:	+1 (888) ETAS INC
Ann Arbor, MI 48103	Fax:	+1 (734) 997-9449
USA	E-mail:	sales@etasinc.com
	WWW:	www.etasinc.com

South America

UNIT

Av. Cel Amancio Bueno, 30	Phone:	+55 (19) 3242 0620
Jd. Chapadao	Fax:	+55 (19) 3241 96 96
Campinas SP 13066 740	E-mail:	unit@mpc.com.br
Brazil		

List of Figures

Fig. 1-1 Front Panel..... 7
Fig. 1-2 Block Diagram of the Board 8
Fig. 2-1 "Serial" Plug Connector 15
Fig. 2-2 "PC" Plug Connector 16
Fig. 2-3 PC Connection Cable CBE100-X 17

List of Tables

Tab. 2-1	Memory Areas of the MPC750	9
Tab. 2-2	Access Variants of the VMEbus Master Interface.....	11
Tab. 2-3	"Serial" Pin Allocation.....	15
Tab. 2-4	"PC" Pin Allocation.....	16
Tab. 2-5	VME 64 Pin Allocation.....	16

Index

Numerics

32-bit counter 10

A

Areas of implementation 7

B

Backplane
connector 16

BCSR
MPC750 10

Block diagram 8

C

Communication processor 12

Configuration 14

Counter 10

CR/CSR slave
MPC750 12

D

Data
technical 18

Decrementer 10

Dimensions
physical 20

Dual-ported RAM 13

E

Environmental conditions 20

Ethernet address 19

Ethernet interface 13

F

Front panel 7

Functional description 9

Functions 5

I

Interrupt controller
MPC750 10

IP address 19

M

- MAC address 19
- Main processor 9
- Master interface
 - MPC750 11
- Memory
 - MPC750 9
- MPC750 9
 - BCSR 10
 - CR/CSR slave 12
 - interrupt controller 10
 - master interface 11
 - memory 9
 - slave interface 12
 - status register 10
 - VMEbus interface 11
 - watchdog 10
- MPC860T 12

P

- PC
 - plug connector 16
- PC Connection Cable 17
- Physical dimensions 20
- Pin allocation 14
- Plug connector 20
- Power supply 14, 19

S

- Serial
 - plug connector 15
- Slave interface
 - MPC750 12
- Status register
 - MPC750 10

T

- Technical data 18

V

- VMEbus 19
- VMEbus interface
 - MPC750 11
- VMEbus Slot1 controller 12

W

- Watchdog
 - MPC750 10



Artisan Technology Group is your source for quality new and certified-used/pre-owned equipment

- FAST SHIPPING AND DELIVERY
- TENS OF THOUSANDS OF IN-STOCK ITEMS
- EQUIPMENT DEMOS
- HUNDREDS OF MANUFACTURERS SUPPORTED
- LEASING/MONTHLY RENTALS
- ITAR CERTIFIED SECURE ASSET SOLUTIONS

SERVICE CENTER REPAIRS

Experienced engineers and technicians on staff at our full-service, in-house repair center

*InstraView*SM REMOTE INSPECTION

Remotely inspect equipment before purchasing with our interactive website at www.instraview.com ↗

WE BUY USED EQUIPMENT

Sell your excess, underutilized, and idle used equipment. We also offer credit for buy-backs and trade-ins. www.artisanng.com/WeBuyEquipment ↗

LOOKING FOR MORE INFORMATION?

Visit us on the web at www.artisanng.com ↗ for more information on price quotations, drivers, technical specifications, manuals, and documentation

Contact us: (888) 88-SOURCE | sales@artisanng.com | www.artisanng.com