



Artisan Technology Group is your source for quality new and certified-used/pre-owned equipment

- FAST SHIPPING AND DELIVERY
- TENS OF THOUSANDS OF IN-STOCK ITEMS
- EQUIPMENT DEMOS
- HUNDREDS OF MANUFACTURERS SUPPORTED
- LEASING/MONTHLY RENTALS
- ITAR CERTIFIED SECURE ASSET SOLUTIONS

SERVICE CENTER REPAIRS

Experienced engineers and technicians on staff at our full-service, in-house repair center

*InstraView*SM REMOTE INSPECTION

Remotely inspect equipment before purchasing with our interactive website at www.instraview.com ↗

WE BUY USED EQUIPMENT

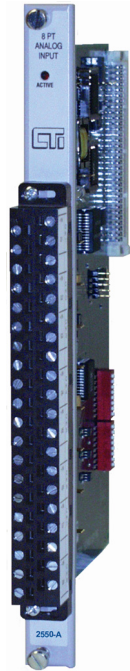
Sell your excess, underutilized, and idle used equipment. We also offer credit for buy-backs and trade-ins. www.artisanng.com/WeBuyEquipment ↗

LOOKING FOR MORE INFORMATION?

Visit us on the web at www.artisanng.com ↗ for more information on price quotations, drivers, technical specifications, manuals, and documentation

Contact us: (888) 88-SOURCE | sales@artisanng.com | www.artisanng.com

2550-A 8-Channel Isolated Analog Input Module



Description

The 2550-A is a high-speed 8-channel isolated analog input module designed to be compatible with the CTI 2500 Series and Simatic® 505 I/O base. The 2550-A translates analog input signals into an equivalent digital word.

Features

- 1500V channel-to-channel isolation
- 1500V channel-to-PLC backplane isolation
- Fast 4 mSec update time for all 8 channels
- External isolators not required
- No external power supply required for module
- No external current resistor required
- On-board calculations for 4-20 mA offset inputs
- Single-wide module

Specifications

Input Channels: 8 isolated analog input channels

Signal Range:

Unipolar: 0 to 5 VDC, 0 to 10 VDC or 0 to 20 mA

Bipolar: -5 to +5 VDC, -10 to +10 VDC or -20 to +20 mA

Update Time:

8 WX mode: 4 mSec all channels

Digital Filtering Time Constant: 0.3 Sec

DC Input Resistance:

Voltage mode: 1 MW

Current mode: 250W

Repeatability: 0.05%

Accuracy:

Voltage mode: 0.1% of full scale from 0 to 60C

Current mode: 0.2% of full scale from 0 to 60C

Resolution 8 WX Mode:

Unipolar 12 bits plus sign:

0-5 VDC range = 1.25 mV/step

0-10 VDC range = 2.5 mV/step

0-20 mA range = 5 µA/step

Bipolar 11 bits plus sign:

-5 to +5 VDC range = 2.5 mV/step

-10 to +10 VDC range = 5 mV/step

-20 to +20 mA range = 10 µA/step

Common Mode Rejection:

>140db @ 60 Hz (digital filtering disabled)

Normal Mode Rejection:

>40db @ 500 Hz (digital filtering enabled)

Connector: Removable

Wire Gauge: 14-22 AWG

Backplane Power: 6 Watts (maximum)

Module Size: Single-wide

Input Protection:

Input ESD Protection: 20,000 V

Overrange Protection: 500 V

Isolation: 1500 VDC channel-to-channel

1500 VDC channel-to-PLC

Operating Temperature: 0° to 60°C

(32° to 140°F)

Storage Temperature: -40° to 85°C

(-40° to 185°F)

Humidity, Relative: 5% to 95%

(non-condensing)

Agency Approvals:

UL, UL Canada, FM (Class I, Div 2), CE

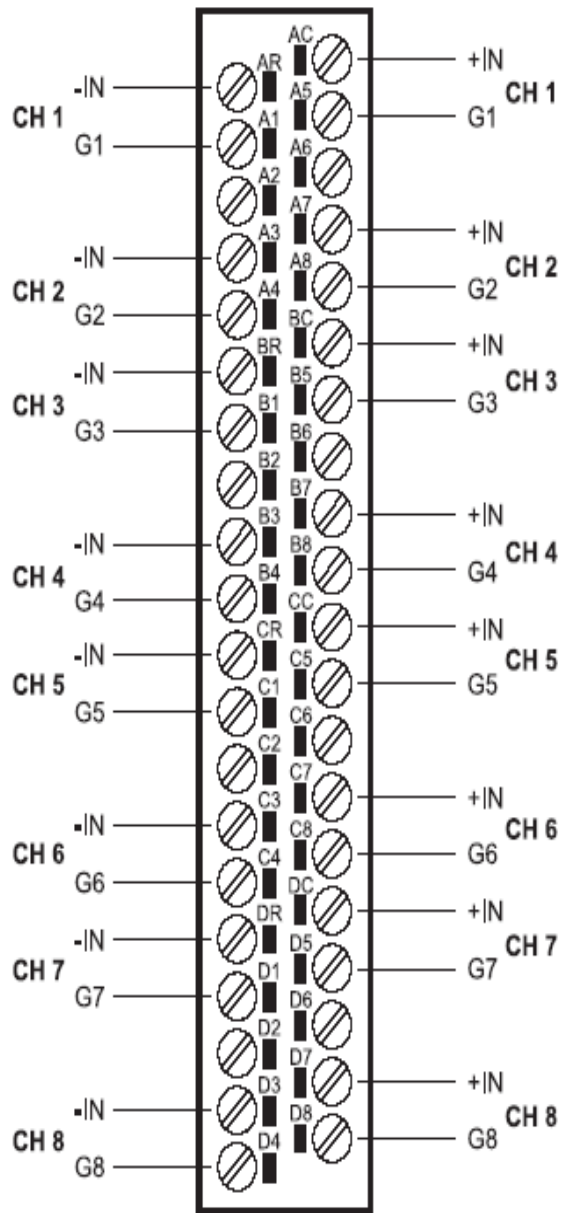
Shipping Weight: 1.5 lb. (0.68 Kg)



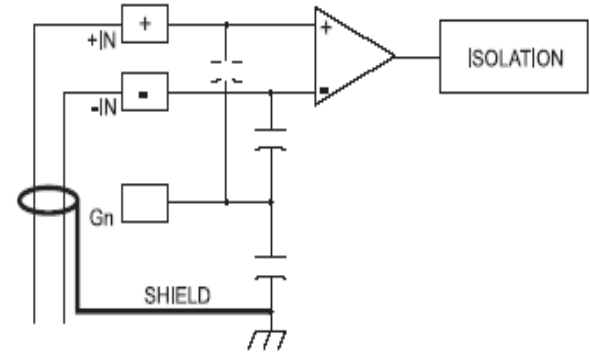
Control Technology Inc.

5734 Middlebrook Pike, Knoxville, TN 37921-5962

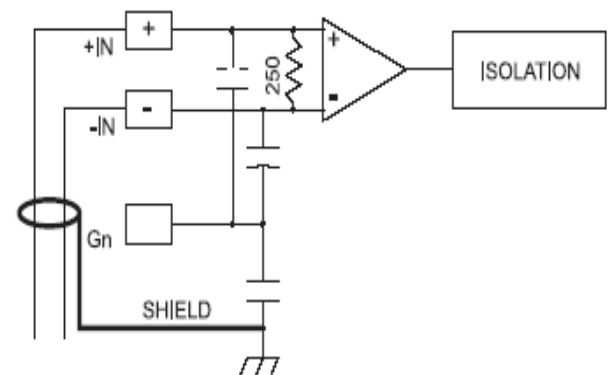
Phone: 865/584-0440 Fax: 865/584-5720 www.controltechnology.com



2550-A Connector



Typical Internal Circuit - Voltage Mode



Typical Internal Circuit - Current Mode

NOTE: The front connector on the module contains a G terminal which may be used for the shield wire if the installation is in a noise free environment. If the installation is in an extremely noisy environment CTI strongly recommends that the shield wires be terminated to the PLC chassis ground.



Artisan Technology Group is your source for quality new and certified-used/pre-owned equipment

- FAST SHIPPING AND DELIVERY
- TENS OF THOUSANDS OF IN-STOCK ITEMS
- EQUIPMENT DEMOS
- HUNDREDS OF MANUFACTURERS SUPPORTED
- LEASING/MONTHLY RENTALS
- ITAR CERTIFIED SECURE ASSET SOLUTIONS

SERVICE CENTER REPAIRS

Experienced engineers and technicians on staff at our full-service, in-house repair center

*InstraView*SM REMOTE INSPECTION

Remotely inspect equipment before purchasing with our interactive website at www.instraview.com ↗

WE BUY USED EQUIPMENT

Sell your excess, underutilized, and idle used equipment. We also offer credit for buy-backs and trade-ins. www.artisanng.com/WeBuyEquipment ↗

LOOKING FOR MORE INFORMATION?

Visit us on the web at www.artisanng.com ↗ for more information on price quotations, drivers, technical specifications, manuals, and documentation

Contact us: (888) 88-SOURCE | sales@artisanng.com | www.artisanng.com