

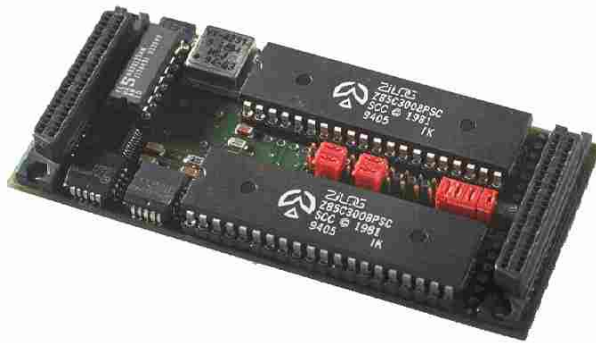
## TIP865 4 Channel Serial Interface

### Application Information

The TIP865 is an IndustryPack® compatible module from TEWS DATENTECHNIK GmbH.

The TIP865 provides four channels of high performance multi-mode serial interface.

Four different modules are available. The TIP865-10 provides RS232 interface, the TIP865-11 provides TTL interface, the TIP865-20 provides RS422 interface and the TIP865-30 provides RS485 interface.



The Transition Module TIP865-TM-10 for the TIP865-11 provides 4 channels of optically isolated RS485, an on board DC/DC converter and 4 DB9 connectors.

Full modem control is supported for each of the 4 serial interfaces on the TIP865-10 and -11. The TIP865-20 supports RxD, TxD and clock. Baud rate is individually programmable up to 2 MBaud. The TIP865-30 supports baud rates of up to 4 MBaud.

The TIP865 supports asynchronous and synchronous protocols.

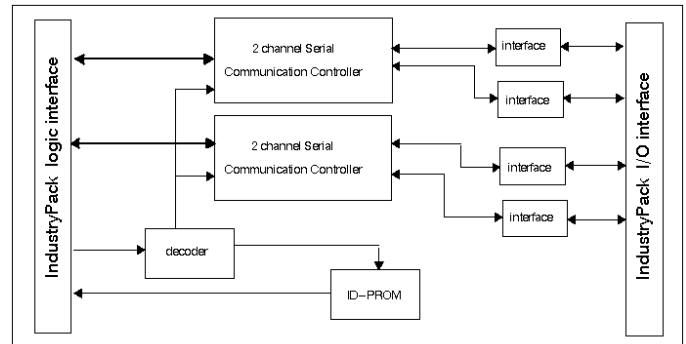
For First-Time-Buyers the engineering kit TIP865-EK is recommended. The engineering kit includes TIP865-DOC, schematics, data sheets and a flat cable with DB9 connectors ( PC compatible ).

Serial line driver software TIP865-SW-x2 is available.

TEWS DATENTECHNIK offers a wide range of connection cables and transition modules. Please contact your local sales representative.

### Technical Information

- Interface according to IndustryPack specification
- Identification-PROM supports autoconfiguration
- Single size IndustryPack
- 4 channels multi-mode serial interface
- support of modem controls on TIP865-10 and -11:
- RxD, TxD, DTR, DCD, RTS, CTS, Clock
- support of RxD, TxD and Clock on TIP865-20
- programmable baud rates to 2 Mbps for TIP865-10/11/20
- programmable baud rates to 4 Mbps for TIP865-30
- asynchronous and synchronous protocols



### Order Information

<b>TIP865-10</b>	4 channel serial RS232 interface
<b>TIP865-11</b>	4 channel serial TTL interface
<b>TIP865-20</b>	4 channel serial RS422 interface
<b>TIP865-30</b>	4 channel serial RS485 interface
<b>TIP865-TM-10</b>	Transition Module for TIP865-11, provides 4 channel optically isolated RS485
<b>TIP865-DOC</b>	User Manual
<b>TIP865-EK</b>	Engineering kit, includes TIP865-DOC
<b>TIP865-SW-12</b>	OS-9 driver support
<b>TIP865-SW-22</b>	VMEexec driver support
<b>TIP865-SW-32</b>	pSOS+ driver support
<b>TIP865-SW-42</b>	VxWorks driver support