



Artisan Technology Group is your source for quality new and certified-used/pre-owned equipment

- FAST SHIPPING AND DELIVERY
- TENS OF THOUSANDS OF IN-STOCK ITEMS
- EQUIPMENT DEMOS
- HUNDREDS OF MANUFACTURERS SUPPORTED
- LEASING/MONTHLY RENTALS
- ITAR CERTIFIED SECURE ASSET SOLUTIONS

SERVICE CENTER REPAIRS

Experienced engineers and technicians on staff at our full-service, in-house repair center

*InstraView*SM REMOTE INSPECTION

Remotely inspect equipment before purchasing with our interactive website at www.instraview.com ↗

WE BUY USED EQUIPMENT

Sell your excess, underutilized, and idle used equipment. We also offer credit for buy-backs and trade-ins. www.artisanng.com/WeBuyEquipment ↗

LOOKING FOR MORE INFORMATION?

Visit us on the web at www.artisanng.com ↗ for more information on price quotations, drivers, technical specifications, manuals, and documentation

Contact us: (888) 88-SOURCE | sales@artisanng.com | www.artisanng.com

7 Juniper VoiceFlow session border controller

Overview

Purpose

This chapter provides an overview of the Juniper VoiceFlow session border controller product. A hardware layout of the Juniper VoiceFlow 3000 is shown. The hardware of the other Juniper VoiceFlow series is similar.

Contents

Juniper VoiceFlow session border controller	7-2
Juniper VF 3000	7-3



Juniper VoiceFlow session border controller

Introduction

The Juniper VoiceFlow is a session border controller that addresses multiple border issues that can occur in VoIP networks. All the issues are addresses using one platform.

Product range

The Juniper VoiceFlow series consists of:

- Juniper VoiceFlow 1000
- Juniper VoiceFlow 3000
- Juniper VoiceFlow 4000

Features

Summary of the Juniper VoiceFlow features

Security	<ul style="list-style-type: none">• VoIP NAT and firewall traversal• VoIP firewall (DoS, intrusion prevention, Call admission control)• Topology hiding.
Service Assurance	<ul style="list-style-type: none">• QoS packet marking• SLA and QoS reporting• Bandwidth policing and admission control• CDR collection• Remote VoIP endpoint management.
Regulatory Compliance	<ul style="list-style-type: none">• Lawful Interception / CALEA• E-911.
Interworking	<ul style="list-style-type: none">• H.323 – SIP Protocol Translation• H.323 and SIP versions



Juniper VF 3000

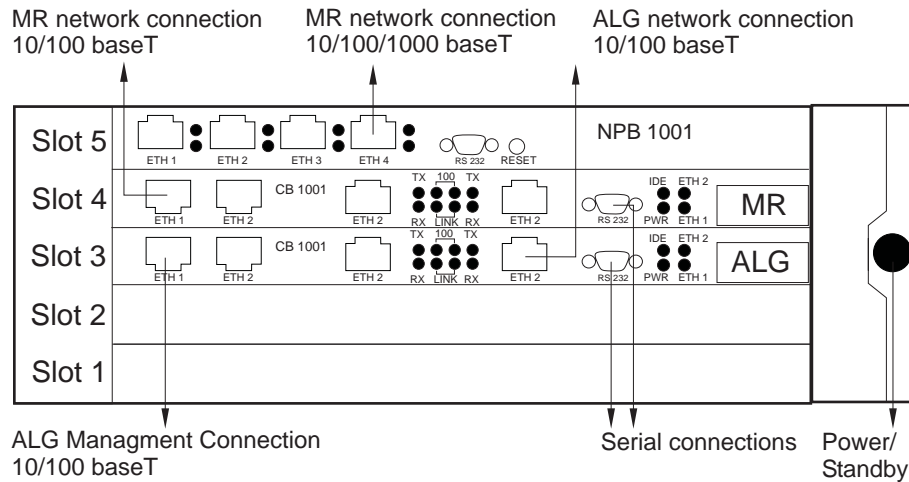
Overview

The Juniper VF 3000 is available as:

- VF 3031 option with two CB 1001 controller boards and one NPB 1001 processing board (10/100/1000 base T copper interfaces (RJ-45))
- VF 3032 option with two CB 1001 controller boards and one NPB 1002 processing board (GigE optical interfaces (LC multi mode))

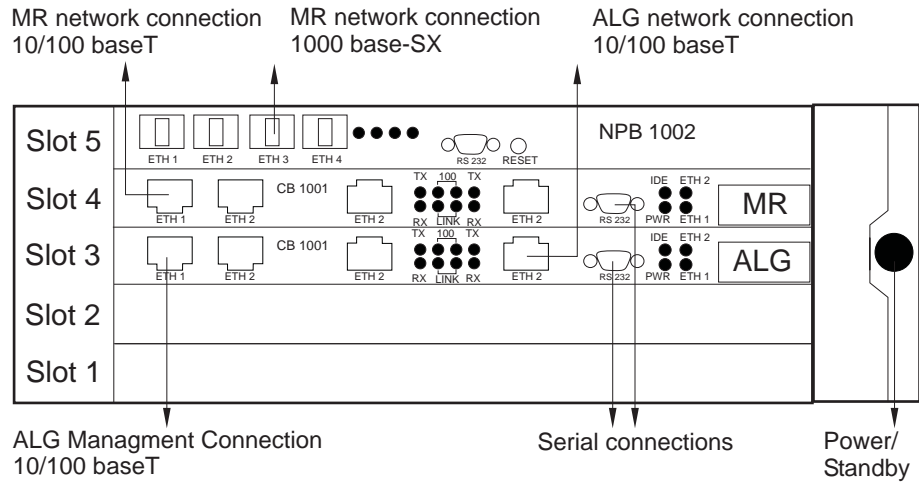
Front view VF 3031

Front view with MR network connection 10/100/1000 baseT (copper).



Front view VF 3032

Front view with MR network connection 1000 base SX (optical).

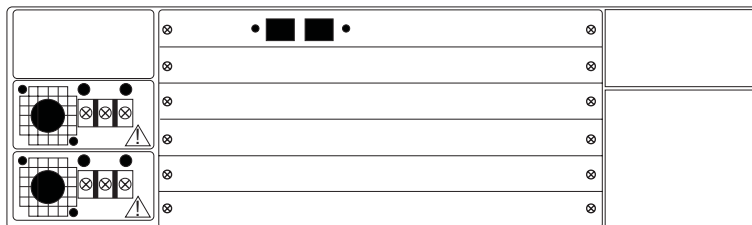


Hardware items VF 3000

The unit holds the following items:

VF 3031	VF 3032	Function
2x Controller board (CB-1001)	2x Controller board (CB-1001)	This board can be configured to work as the Application Level Gateway (ALG) or as Media Relay (MR).
1x Network Processing Board NPB-1001 (Copper)	1x Network Processing Board NPB-1002 (Optical)	This board is specially designed to accommodate high throughput of media. It is controlled by a controller board configured as an MR.

Rear view



References

For more information, refer to:

- *VoiceFlow series v/OS Release 5.3.1. Network NAT Traversal Installation & User manual*





Artisan Technology Group is your source for quality new and certified-used/pre-owned equipment

- FAST SHIPPING AND DELIVERY
- TENS OF THOUSANDS OF IN-STOCK ITEMS
- EQUIPMENT DEMOS
- HUNDREDS OF MANUFACTURERS SUPPORTED
- LEASING/MONTHLY RENTALS
- ITAR CERTIFIED SECURE ASSET SOLUTIONS

SERVICE CENTER REPAIRS

Experienced engineers and technicians on staff at our full-service, in-house repair center

*InstraView*SM REMOTE INSPECTION

Remotely inspect equipment before purchasing with our interactive website at www.instraview.com ↗

WE BUY USED EQUIPMENT

Sell your excess, underutilized, and idle used equipment. We also offer credit for buy-backs and trade-ins. www.artisanng.com/WeBuyEquipment ↗

LOOKING FOR MORE INFORMATION?

Visit us on the web at www.artisanng.com ↗ for more information on price quotations, drivers, technical specifications, manuals, and documentation

Contact us: (888) 88-SOURCE | sales@artisanng.com | www.artisanng.com