



Artisan Technology Group is your source for quality new and certified-used/pre-owned equipment

- FAST SHIPPING AND DELIVERY
- TENS OF THOUSANDS OF IN-STOCK ITEMS
- EQUIPMENT DEMOS
- HUNDREDS OF MANUFACTURERS SUPPORTED
- LEASING/MONTHLY RENTALS
- ITAR CERTIFIED SECURE ASSET SOLUTIONS

SERVICE CENTER REPAIRS

Experienced engineers and technicians on staff at our full-service, in-house repair center

*InstraView*SM REMOTE INSPECTION

Remotely inspect equipment before purchasing with our interactive website at www.instraview.com ↗

WE BUY USED EQUIPMENT

Sell your excess, underutilized, and idle used equipment. We also offer credit for buy-backs and trade-ins. www.artisanng.com/WeBuyEquipment ↗

LOOKING FOR MORE INFORMATION?

Visit us on the web at www.artisanng.com ↗ for more information on price quotations, drivers, technical specifications, manuals, and documentation

Contact us: (888) 88-SOURCE | sales@artisanng.com | www.artisanng.com

Zygo Laser Head - Model 7701

Physical Characteristics:

Dimensions: See Figure
 Weight: 5.5 Kilograms (12.0 lb)
 Clearance required for cable: 11.5 cm (4.5 in.)

Electrical:

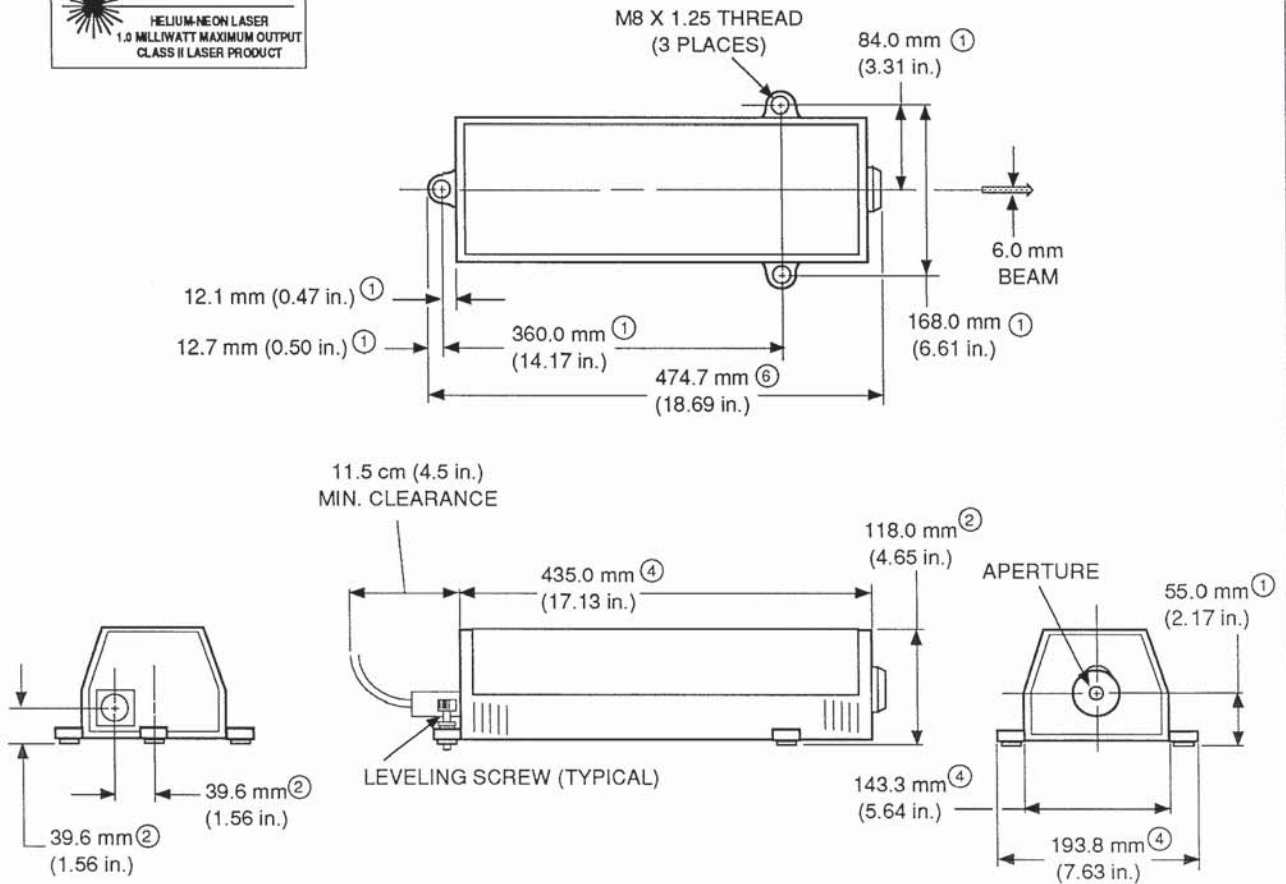
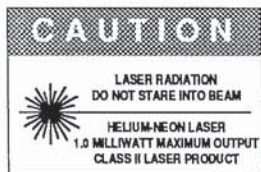
Power Input Requirements:
 - 15 VDC ± 0.3 V at 0.5 A
 + 15 VDC ± 0.3 V at 1.5 A
 + 24 VDC ± 0.5 V at 0.6 A
 Power Dissipation:
 27 watts during operation
 37 watts during warmup
 Warmup Time: less than 30 minutes

Laser Beam Characteristics:

Type: Helium-Neon, Continuous Wave, Two-Frequency
 Maximum Beam Power Output: < 1 milliwatt
 Minimum Beam Power Output: >300 microwatts
 Maximum Power Difference Between Two Frequency Components: 5% of total power

Laser Beam Characteristics (continued):

Beam Diameter: 6 millimeters (0.24 in.)
 Beam Pointing Stability:
 < 1 arc sec after 2 hour warmup
 < 0.1 arc sec/ $^{\circ}$ C ambient temperature change after warmup
 Frequency Difference: 20 MHz ± 600 Hz
 Maximum Second Frequency Component in Each Polarization: 1%
 Vacuum Wavelength Lifetime Accuracy: ± 0.1 ppm
 Vacuum Wavelength Stability: ± 0.01 ppm/24 hours
 Vacuum Wavelength:
 F1: 632.991501 nanometers (vertical polarization)
 F2: 632.991528 nanometers (horizontal polarization)
 (horizontal polarization is parallel to the Laser Head mounting surface)
 DHHS Laser Safety Classification: Class II laser product conforming to NCDRH regulations





Artisan Technology Group is your source for quality new and certified-used/pre-owned equipment

- FAST SHIPPING AND DELIVERY
- TENS OF THOUSANDS OF IN-STOCK ITEMS
- EQUIPMENT DEMOS
- HUNDREDS OF MANUFACTURERS SUPPORTED
- LEASING/MONTHLY RENTALS
- ITAR CERTIFIED SECURE ASSET SOLUTIONS

SERVICE CENTER REPAIRS

Experienced engineers and technicians on staff at our full-service, in-house repair center

*InstraView*SM REMOTE INSPECTION

Remotely inspect equipment before purchasing with our interactive website at www.instraview.com ↗

WE BUY USED EQUIPMENT

Sell your excess, underutilized, and idle used equipment. We also offer credit for buy-backs and trade-ins. www.artisanng.com/WeBuyEquipment ↗

LOOKING FOR MORE INFORMATION?

Visit us on the web at www.artisanng.com ↗ for more information on price quotations, drivers, technical specifications, manuals, and documentation

Contact us: (888) 88-SOURCE | sales@artisanng.com | www.artisanng.com