



Artisan Technology Group is your source for quality new and certified-used/pre-owned equipment

- FAST SHIPPING AND DELIVERY
- TENS OF THOUSANDS OF IN-STOCK ITEMS
- EQUIPMENT DEMOS
- HUNDREDS OF MANUFACTURERS SUPPORTED
- LEASING/MONTHLY RENTALS
- ITAR CERTIFIED SECURE ASSET SOLUTIONS

SERVICE CENTER REPAIRS

Experienced engineers and technicians on staff at our full-service, in-house repair center

*InstraView*SM REMOTE INSPECTION

Remotely inspect equipment before purchasing with our interactive website at www.instraview.com ↗

WE BUY USED EQUIPMENT

Sell your excess, underutilized, and idle used equipment. We also offer credit for buy-backs and trade-ins. www.artisanng.com/WeBuyEquipment ↗

LOOKING FOR MORE INFORMATION?

Visit us on the web at www.artisanng.com ↗ for more information on price quotations, drivers, technical specifications, manuals, and documentation

Contact us: (888) 88-SOURCE | sales@artisanng.com | www.artisanng.com

KAD/DEC/003

2-ch. IRIG-106 PCM decoder/merger

FEATURES



- Decommutates (merges) two IRIG-106 chapter 4 PCM streams
- Accepts BIØ-L or NRZ-L+DCLK (D/E RS-422)
- Up to 4K words per minor frame
- Programmable word length (4-64) per word
- Programmable parity (odd/even/none) per word
- Programmable orientation (first/last) per word
- Up to 20Mbits/sec. NRZ-L (8Mbits/sec. BIØ-L)
- Operates in asynchronous mode with third-party PCM encoders
- Operates in synchronous mode with other KAM-500s

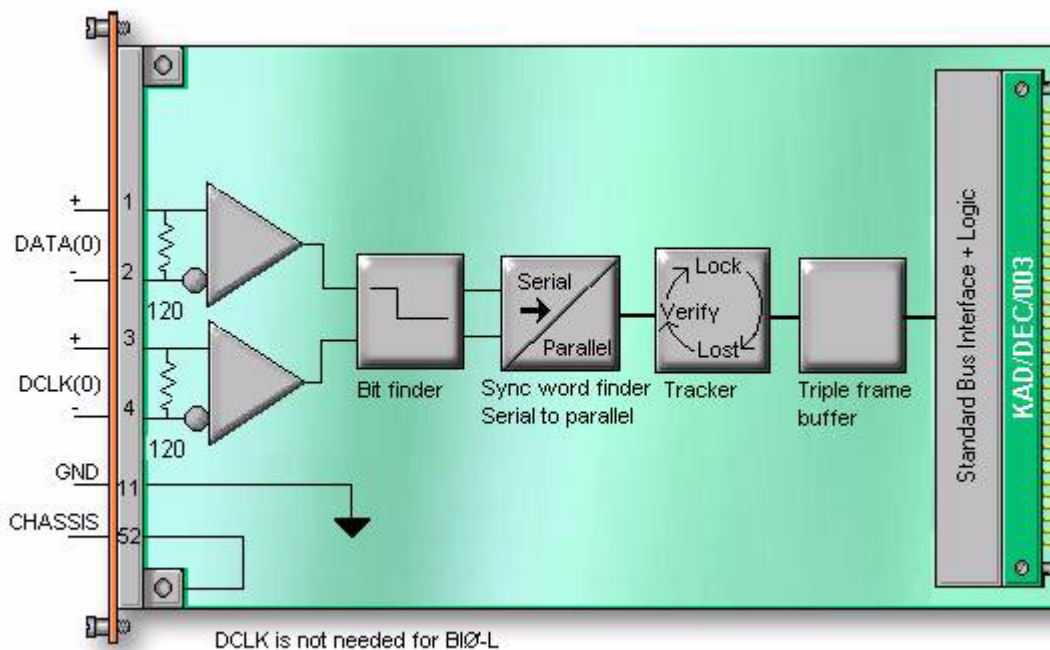
2

DESCRIPTION

The KAD/DEC/003 is a dual PCM decommutator that can accept two independent PCM streams. Data from each is PARSED into a minor frame buffer from which it can be read coherently over the backplane. For example, word 5 of stream 2 can be embedded in minor frame 6 word 8 of the PCM stream generated by the chassis in which the KAD/DEC/003 is located.

In a distributed acquisition system where each KAM-500 is operating synchronously (that is, X_CLK and X_SYNC are connected), the KAD/DEC/003 runs in synchronous mode. Data is decommutated by the decoder before it is read over the backplane. In this mode there is no need for stale or skipped indication.

When decommutating data from an encoder running asynchronously, data is PARSED into coherent buffers. All parameters read are guaranteed to be from the same minor frame. If data is read slower than it is received, minor frames are skipped occasionally. If data is read faster than it is received, minor frames are repeated (stale) occasionally. In asynchronous mode it is recommended that the stale and skipped indications be read.



First of two independent PCM decommutators

DST/N/039 1 Jun. 2004

153



Artisan Technology Group is your source for quality new and certified-used/pre-owned equipment

- FAST SHIPPING AND DELIVERY
- TENS OF THOUSANDS OF IN-STOCK ITEMS
- EQUIPMENT DEMOS
- HUNDREDS OF MANUFACTURERS SUPPORTED
- LEASING/MONTHLY RENTALS
- ITAR CERTIFIED SECURE ASSET SOLUTIONS

SERVICE CENTER REPAIRS

Experienced engineers and technicians on staff at our full-service, in-house repair center

*InstraView*SM REMOTE INSPECTION

Remotely inspect equipment before purchasing with our interactive website at www.instraview.com ↗

WE BUY USED EQUIPMENT

Sell your excess, underutilized, and idle used equipment. We also offer credit for buy-backs and trade-ins. www.artisanng.com/WeBuyEquipment ↗

LOOKING FOR MORE INFORMATION?

Visit us on the web at www.artisanng.com ↗ for more information on price quotations, drivers, technical specifications, manuals, and documentation

Contact us: (888) 88-SOURCE | sales@artisanng.com | www.artisanng.com