



Artisan Technology Group is your source for quality new and certified-used/pre-owned equipment

- FAST SHIPPING AND DELIVERY
- TENS OF THOUSANDS OF IN-STOCK ITEMS
- EQUIPMENT DEMOS
- HUNDREDS OF MANUFACTURERS SUPPORTED
- LEASING/MONTHLY RENTALS
- ITAR CERTIFIED SECURE ASSET SOLUTIONS

SERVICE CENTER REPAIRS

Experienced engineers and technicians on staff at our full-service, in-house repair center

*InstraView*SM REMOTE INSPECTION

Remotely inspect equipment before purchasing with our interactive website at www.instraview.com ↗

WE BUY USED EQUIPMENT

Sell your excess, underutilized, and idle used equipment. We also offer credit for buy-backs and trade-ins. www.artisanng.com/WeBuyEquipment ↗

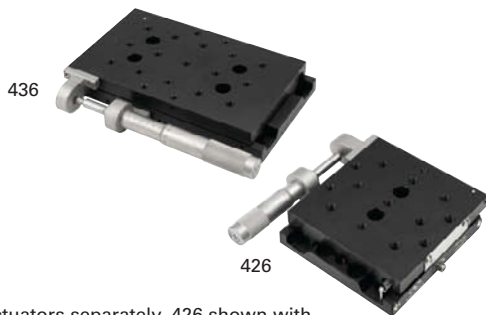
LOOKING FOR MORE INFORMATION?

Visit us on the web at www.artisanng.com ↗ for more information on price quotations, drivers, technical specifications, manuals, and documentation

Contact us: (888) 88-SOURCE | sales@artisanng.com | www.artisanng.com

426/436 Series

Extended Platform Crossed-Roller Bearing Stages



- Extra large solid and apertured platforms
- Crossed-roller bearing design for precision movement and larger load capacity
- Extensive interferometric quality testing
- Reconfigurable for left- or right-hand applications
- Compatible with Newport manual and motorized actuators
- All models lockable

Order actuators separately. 426 shown with SM-25 and 436 shown with SM-50.

Model 426/436 Series Extended Platform Crossed-Roller Bearing Stages feature extra large solid and apertured platforms complemented by crossed-roller bearings running on ground steel V-ways to provide an attractive combination of high-resolution movement, low runout, and large load capacity. For stability, repeatability, and exceptionally smooth motion, actuators bear upon a hardened carbide insert. Springs provide preload against the actuator tip to eliminate backlash. To ensure consistently dependable performance, these stages are tested in Newport's Quality Assurance Facility.

A highly stable and rigid stainless steel actuator mounting system allows your choice of Newport's manual or motorized actuators to be attached to the stage in either a left- or right-hand configuration. A non-influencing lock (also reversible for left handed configurations) similar to those used on our top of the line ULTRAlign™ Series provides positive stable positioning and guards against inadvertent adjustments.

Solid platform and aperture platform versions are offered. Each features a convenient array of 1/4-20 or Metric M6 tapped holes. The 2 in. diameter apertures of Models 426A and 436A are unobscured over 0.625 in. (16 mm) of travel. The stages are easily stacked for XY applications, and may be combined with our Model 360-90 Angle Bracket for XYZ configurations.

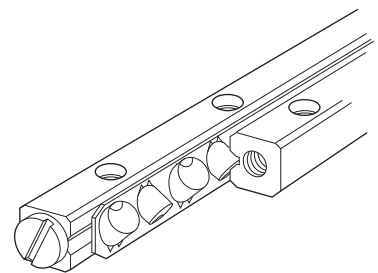
Specifications

| Model (Metric) | 426 | 436 |
|----------------------------------|----------|-----------|
| Maximum Stage Travel [in. (mm)] | 1 (25) | 2 (50) |
| Angular Deviation (μrad) | <150 | |
| Max Centered Load [lb (N)] | 73 (325) | 125 (556) |
| Load Capacity, Vertical [lb (N)] | 15 (67) | |

Ordering Information

| Model (Metric) | Platform | Travel [in. (mm)] |
|----------------|-------------------------------|-------------------|
| 426 (M-426) | Solid | 1.00 (25) |
| 436 (M-436) | Solid | 2.00 (50) |
| 426A (M-426A) | Apertured | 1.00 (25) |
| 436A (M-436A) | Apertured | 2.00 (50) |
| AB-3 (AB-3) | Extra actuator mounting block | |
| AB-4 (AB-4) | Extra actuator push block | |

426/436 Stages require one actuator that is not included. See table below for recommended actuators.



Preloaded crossed-roller bearings provide repeatable, zero stick-slip linear motion with negligible side-play. The roller strips hold cylindrical rollers alternately inclined 90° to assure constant linear contact with the hardened and ground ways.



Order actuators separately. 426A is shown with SM-25.



SM Series Micrometers (see page 430)



DM-13 Differential Micrometer (see page 435)

MANUAL
LINEAR STAGES

VERTICAL
POSITIONING

MANUAL ROTATION
AND TILT STAGES

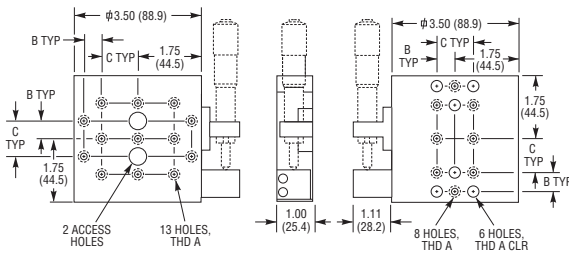
MANUAL
ACTUATORS

MANUAL FIBER
ALIGNMENT STAGES

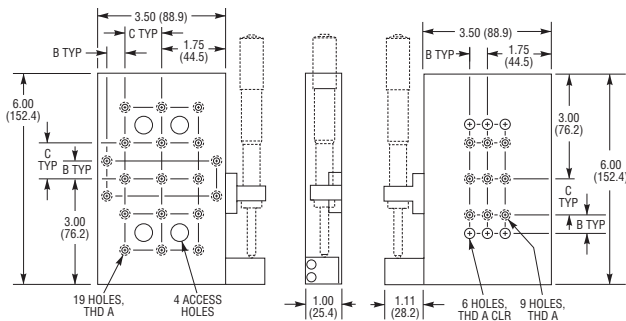
Recommended Actuators

| 426 | 436 | Model | Description |
|------------------|-----|----------|---|
| Manual Drives | | | |
| • | • | AJS100-1 | High Precision Small Knob Adjustment Screw, 25.4 mm Travel, 100 TPI, Side Lock |
| • | • | AJS100-2 | High Precision Small Knob Adjustment Screw, 50.8 mm Travel, 100 TPI, Side Lock |
| • | • | SM-13 | Vernier Micrometer, 13 mm Travel, 9 lb Load Capacity, 50.8 TPI |
| • | • | SM-25 | Vernier Micrometer, 25 mm Travel, 23 lb Load Capacity, 50.8 TPI |
| • | • | SM-50 | Vernier Micrometer, 50 mm Travel, 23 lb Load Capacity, 50.8 TPI |
| • | • | HR-13 | High Resolution Micrometer, 0.5 μm Sensitivity, 13 mm Travel |
| • | • | DM-13 | Differential Micrometer, 13.0 mm Coarse, 0.2 mm Fine, 5 lb. Load Capacity |
| • | • | DM-13L | Lockable Differential Micrometer 13.0 mm Coarse, 0.2 mm Fine, 11.2 lb Capacity |
| • | • | DM-25L | Lockable Differential Micrometer, 25.0 mm Coarse, 0.2 mm Fine, 11.2 lb Capacity |
| Motorized Drives | | | |
| • | • | PZA12 | NanoPZ Ultra-High Resolution Actuator, 12.5mm Travel |
| • | • | LTA-HS | High Speed Motorized Actuator, 50 mm travel, 3/8-40 thread, LTA Series |
| • | • | TRA25CC | Miniature Motorized Actuator, 25 mm Travel, DC Servo Motor |

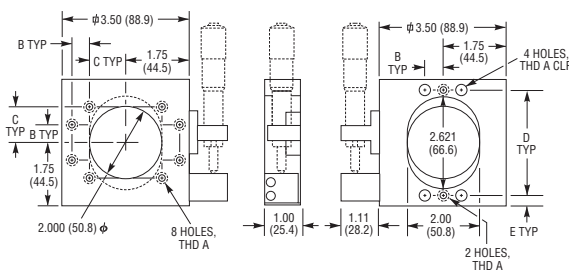
Model 426 w/SM-25



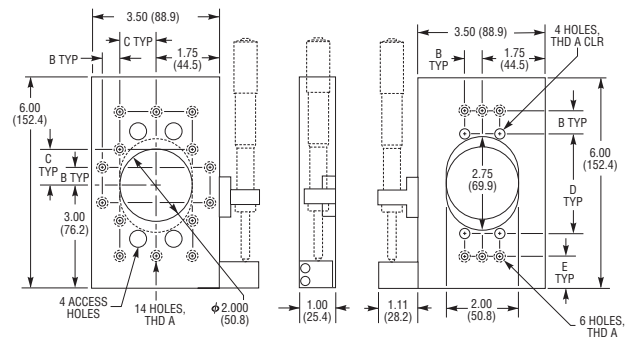
Model 436 w/SM-50



Model 426A w/SM-25



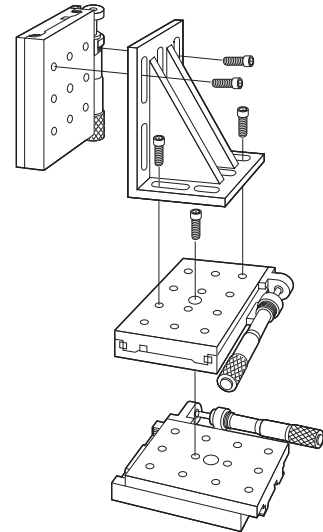
Model 436A w/SM-50



| Model (Metric) | Thread | | Dimensions [in. (mm)] | | | |
|----------------|-------------|--------------|-----------------------|--------------|-------------|--|
| | A | B | C | D | E | |
| 426A (M-426A) | 1/4-20 (M6) | 0.500 (12.5) | 1.000 (25.0) | 3.000 (75.0) | 0.25 (7.0) | |
| 436A (M-436A) | 1/4-20 (M6) | 0.500 (12.5) | 1.000 (25.0) | 3.000 (75.0) | 1.00 (26.2) | |



Use an angle bracket to create multi-axis assemblies.



Models 360-90 and 360-30 can be used to make long-travel XYZ stages using linear stages like our Models 423, 433, 443, 426, or 436.



Extra actuator mounting block, AB-3.

| Model (Metric) | Thread | | | Dimensions [in. (mm)] | | |
|----------------|-------------|--------------|--------------|-----------------------|--------------|--------------|
| | A | B | C | A | B | C |
| 426 (M-426) | 1/4-20 (M6) | 0.500 (12.5) | 1.000 (25.0) | 0.500 (12.5) | 1.000 (25.0) | 1.000 (25.0) |
| 436 (M-436) | 1/4-20 (M6) | 0.500 (12.5) | 1.000 (25.0) | 0.500 (12.5) | 1.000 (25.0) | 1.000 (25.0) |



Artisan Technology Group is your source for quality new and certified-used/pre-owned equipment

- FAST SHIPPING AND DELIVERY
- TENS OF THOUSANDS OF IN-STOCK ITEMS
- EQUIPMENT DEMOS
- HUNDREDS OF MANUFACTURERS SUPPORTED
- LEASING/MONTHLY RENTALS
- ITAR CERTIFIED SECURE ASSET SOLUTIONS

SERVICE CENTER REPAIRS

Experienced engineers and technicians on staff at our full-service, in-house repair center

*InstraView*SM REMOTE INSPECTION

Remotely inspect equipment before purchasing with our interactive website at www.instraview.com ↗

WE BUY USED EQUIPMENT

Sell your excess, underutilized, and idle used equipment. We also offer credit for buy-backs and trade-ins. www.artisanng.com/WeBuyEquipment ↗

LOOKING FOR MORE INFORMATION?

Visit us on the web at www.artisanng.com ↗ for more information on price quotations, drivers, technical specifications, manuals, and documentation

Contact us: (888) 88-SOURCE | sales@artisanng.com | www.artisanng.com