



## Artisan Technology Group is your source for quality new and certified-used/pre-owned equipment

- FAST SHIPPING AND DELIVERY
- TENS OF THOUSANDS OF IN-STOCK ITEMS
- EQUIPMENT DEMOS
- HUNDREDS OF MANUFACTURERS SUPPORTED
- LEASING/MONTHLY RENTALS
- ITAR CERTIFIED SECURE ASSET SOLUTIONS

### SERVICE CENTER REPAIRS

Experienced engineers and technicians on staff at our full-service, in-house repair center

### *InstraView*<sup>SM</sup> REMOTE INSPECTION

Remotely inspect equipment before purchasing with our interactive website at [www.instraview.com](http://www.instraview.com) ↗

### WE BUY USED EQUIPMENT

Sell your excess, underutilized, and idle used equipment. We also offer credit for buy-backs and trade-ins. [www.artisanng.com/WeBuyEquipment](http://www.artisanng.com/WeBuyEquipment) ↗

### LOOKING FOR MORE INFORMATION?

Visit us on the web at [www.artisanng.com](http://www.artisanng.com) ↗ for more information on price quotations, drivers, technical specifications, manuals, and documentation

**Contact us:** (888) 88-SOURCE | [sales@artisanng.com](mailto:sales@artisanng.com) | [www.artisanng.com](http://www.artisanng.com)

# DIGITAL I/O GARNET-MM



**24 OR 48 LINES INPUT OUTPUT LINES, PROGRAMMABLE DIRECTION, BUFFERED OUTPUTS**

SPECIFICATIONS	
<b>DIGITAL I/O</b>	
Chip	82C55 (qty. 2)
Number of I/O lines	24 or 48
Direction	Programmable in groups of 4 or 8
Input voltage	Logic 0: 0.0V min, 0.8V max Logic 1: 2.0V min, Vcc max
Output voltage	Logic 0: 0.0V min, 0.55V max Logic 1: 2.0V min, Vcc -0.3V max
Output current	Logic 0: 64mA max per line Logic 1: 15mA max per line
Output drivers	74F245/74F243
Pull-up resistors	None
<b>GENERAL</b>	
Power supply	+5V ±10% @ 160mA typical
Temperature	0° to 70°C
PC/104 Bus	8 bits
Weight	-24: 2.7oz / 76g -48: 3.0oz / 85g

Garnet-MM provides 24 or 48 digital I/O lines using 1 or 2 82C55 chips. It has buffered outputs for extra drive current capability to drive loads such as LEDs, small mechanical relays, or solid-state relays. The output buffers are controlled by on-board logic that monitors the 82C55 configuration registers and sets the buffer directions automatically. This board does not provide pull-up resistors on the I/O lines.

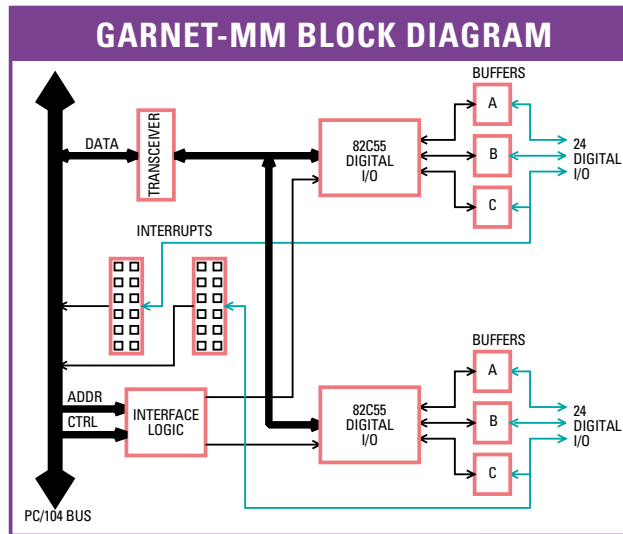
The board includes 2 interrupt lines that may be used for digital I/O data transfer at low rates (up to 1-2 KB/sec).



- ◆ 24 or 48 digital I/O lines using 1 or 2 82C55 chips
- ◆ Programmable port directions
- ◆ High-current outputs: -15/+64mA per line
- ◆ 2 PC interrupts
- ◆ Dual 50-pin I/O headers with 24 I/O lines each
- ◆ 0 to 70°C operation
- ◆ FREE Universal Driver software included

Garnet-MM has two identical digital I/O headers with 24 I/O lines on each.

I/O HEADERS				
PORT A	A7	1	2	GND
	A6	3	4	GND
	A5	5	6	GND
	A4	7	8	GND
	A3	9	10	GND
	A2	11	12	GND
	A1	13	14	GND
	A0	15	16	GND
PORT C	C7	17	18	GND
	C6	19	20	GND
	C5	21	22	GND
	C4	23	24	GND
	C3	25	26	GND
	C2	27	28	GND
	C1	29	30	GND
	C0	31	32	GND
PORT B	B7	33	34	GND
	B6	35	36	GND
	B5	37	38	GND
	B4	39	40	GND
	B3	41	42	GND
	B2	43	44	GND
	B1	45	46	GND
	B0	47	48	GND
+5	49	50	GND	



## ORDERING GUIDE

**GMM-24** 24 Digital I/O, high-drive outputs  
**GMM-48** 48 Digital I/O, high-drive outputs  
 For cables and accessories, see pages 46-47.



## Artisan Technology Group is your source for quality new and certified-used/pre-owned equipment

- FAST SHIPPING AND DELIVERY
- TENS OF THOUSANDS OF IN-STOCK ITEMS
- EQUIPMENT DEMOS
- HUNDREDS OF MANUFACTURERS SUPPORTED
- LEASING/MONTHLY RENTALS
- ITAR CERTIFIED SECURE ASSET SOLUTIONS

### SERVICE CENTER REPAIRS

Experienced engineers and technicians on staff at our full-service, in-house repair center

### *InstraView*<sup>SM</sup> REMOTE INSPECTION

Remotely inspect equipment before purchasing with our interactive website at [www.instraview.com](http://www.instraview.com) ↗

### WE BUY USED EQUIPMENT

Sell your excess, underutilized, and idle used equipment. We also offer credit for buy-backs and trade-ins. [www.artisanng.com/WeBuyEquipment](http://www.artisanng.com/WeBuyEquipment) ↗

### LOOKING FOR MORE INFORMATION?

Visit us on the web at [www.artisanng.com](http://www.artisanng.com) ↗ for more information on price quotations, drivers, technical specifications, manuals, and documentation

**Contact us:** (888) 88-SOURCE | [sales@artisanng.com](mailto:sales@artisanng.com) | [www.artisanng.com](http://www.artisanng.com)