



Artisan Scientific

QUALITY INSTRUMENTATION ... GUARANTEED

Looking for more information?

Visit us on the web at <http://www.artisan-scientific.com> for more information:

- Price Quotations
- Drivers
- Technical Specifications, Manuals and Documentation

Artisan Scientific is Your Source for Quality New and Certified-Used/Pre-owned Equipment

- Tens of Thousands of In-Stock Items
- Hundreds of Manufacturers Supported
- Fast Shipping and Delivery
- Leasing / Monthly Rentals
- Equipment Demos
- Consignment

Service Center Repairs

Experienced Engineers and Technicians on staff in our State-of-the-art Full-Service In-House Service Center Facility

InstraView™ Remote Inspection

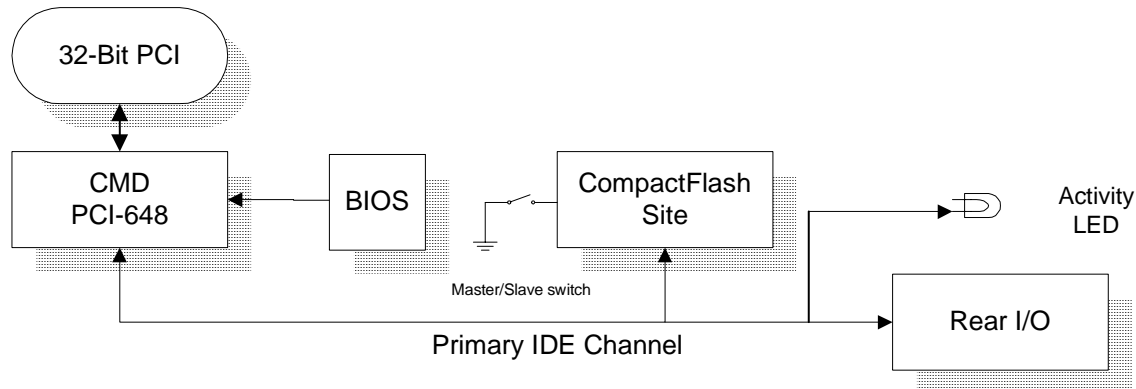
Remotely inspect equipment before purchasing with our Innovative InstraView™ website at <http://www.instraview.com>

We buy used equipment! We also offer credit for Buy-Backs and Trade-Ins

Sell your excess, underutilized, and idle used equipment. Contact one of our Customer Service Representatives today!

Talk to a live person: 888-88-SOURCE (888-887-6872) | Contact us by email: sales@artisan-scientific.com | Visit our website: <http://www.artisan-scientific.com>

Front Panel CompactFlash Adapter



The Front Panel CompactFlash Adapter, when mated to a host or carrier card, provides an interface between the PCI bus and a CompactFlash device (Type I or II) mounted on the Adapter. The Adapter also can interface other IDE/ATA devices, via its rear I/O connector (PN4) on the Adapter.

Built around a CMD PCI-648 IDE controller chipset, the product supports the Ultra 66 data-transfer protocol over its IDE channel. It also supports slower bus-master data transfer rates to accommodate hard disk drives (HDDs) that do not support Ultra 66.

The selected PCI bus is a 32-bit bus at 33 MHz. A built in phase-lock loop generates an internal 66 MHz clock from the 33 MHz PCI bus clock. This internal 66 MHz clock is used to transfer data at the rate of 66 Mb/sec on to the IDE interface.

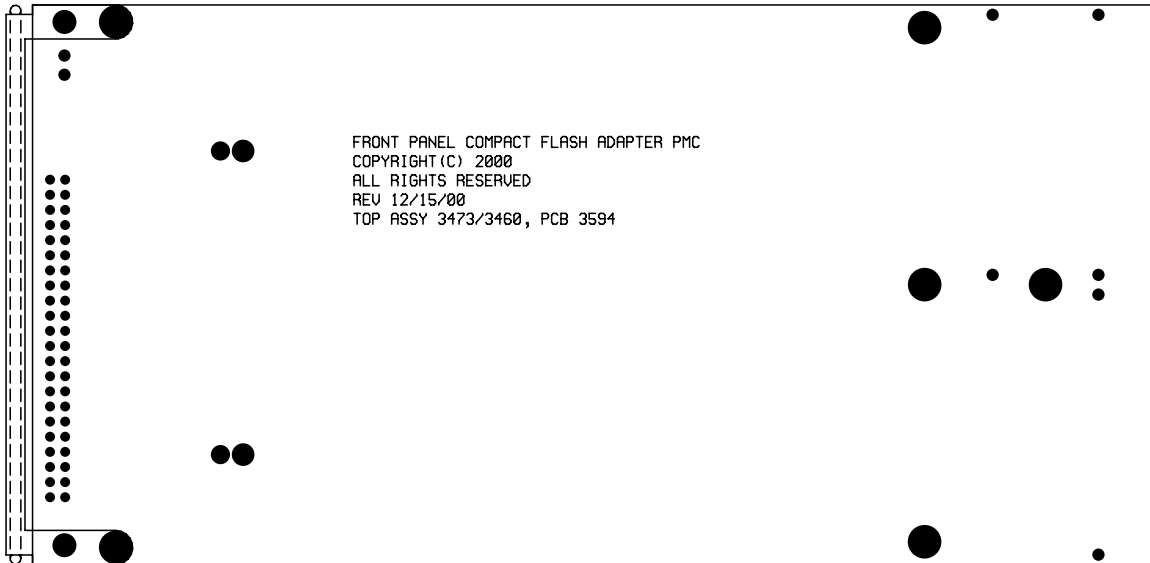
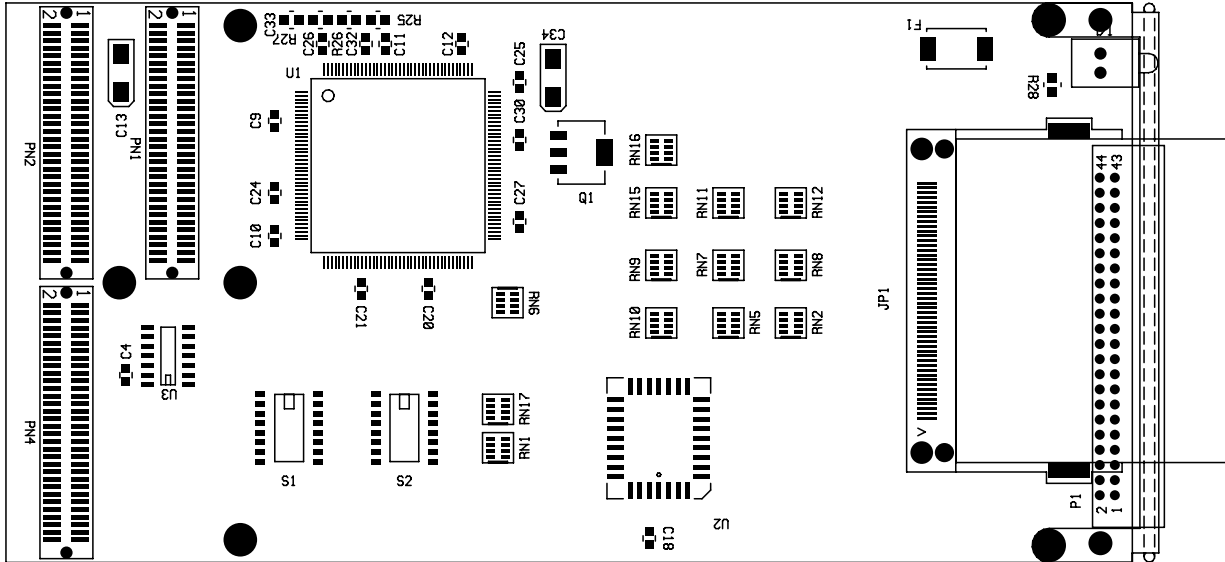
The CompactFlash site is configured to operate in true IDE mode. Additionally, the site can be set to operate as either master or a slave device.

On-board BIOS, provided by CMD and resident in flash memory, supports boot up configuration. This feature is supported only on Intel platforms.

An LED is provided on the Adapter's front panel to indicate activity. The IDE Controller PMC supports four interrupts. Interrupt configuration is determined by DIP switch settings. Default setting is Interrupt A.

Drivers are available from CMD for Windows 95/98/NT 4.0 and 2000.

Front Panel CompactFlash Adapter



Product Summary

Technobox Part Number:	Front Panel CompactFlash Adapter: 3473
Typical Power Dissipation:	TBD watts
Power Supplies Required:	+5 Volt
PCI Signaling Environment:	5 Volt or 3.3 Volt



Artisan Scientific

QUALITY INSTRUMENTATION ... GUARANTEED

Looking for more information?

Visit us on the web at <http://www.artisan-scientific.com> for more information:

- Price Quotations
- Drivers
- Technical Specifications, Manuals and Documentation

Artisan Scientific is Your Source for Quality New and Certified-Used/Pre-owned Equipment

- Tens of Thousands of In-Stock Items
- Hundreds of Manufacturers Supported
- Fast Shipping and Delivery
- Leasing / Monthly Rentals
- Equipment Demos
- Consignment

Service Center Repairs

Experienced Engineers and Technicians on staff in our State-of-the-art Full-Service In-House Service Center Facility

InstraView™ Remote Inspection

Remotely inspect equipment before purchasing with our Innovative InstraView™ website at <http://www.instraview.com>

We buy used equipment! We also offer credit for Buy-Backs and Trade-Ins

Sell your excess, underutilized, and idle used equipment. Contact one of our Customer Service Representatives today!

Talk to a live person: 888-88-SOURCE (888-887-6872) | Contact us by email: sales@artisan-scientific.com | Visit our website: <http://www.artisan-scientific.com>