



Artisan Technology Group is your source for quality new and certified-used/pre-owned equipment

- FAST SHIPPING AND DELIVERY
- TENS OF THOUSANDS OF IN-STOCK ITEMS
- EQUIPMENT DEMOS
- HUNDREDS OF MANUFACTURERS SUPPORTED
- LEASING/MONTHLY RENTALS
- ITAR CERTIFIED SECURE ASSET SOLUTIONS

SERVICE CENTER REPAIRS

Experienced engineers and technicians on staff at our full-service, in-house repair center

*InstraView*SM REMOTE INSPECTION

Remotely inspect equipment before purchasing with our interactive website at www.instraview.com ↗

WE BUY USED EQUIPMENT

Sell your excess, underutilized, and idle used equipment. We also offer credit for buy-backs and trade-ins. www.artisanng.com/WeBuyEquipment ↗

LOOKING FOR MORE INFORMATION?

Visit us on the web at www.artisanng.com ↗ for more information on price quotations, drivers, technical specifications, manuals, and documentation

Contact us: (888) 88-SOURCE | sales@artisanng.com | www.artisanng.com

Industrial Colour CCD Camera
GP-KR222E

Operating Instructions



(Lens : option)

Panasonic

Before attempting to connect or operate this product, please read these instructions completely.

ENGLISH

DEUTSCH

FRANÇAIS

ENGLISH VERSION



CAUTION

RISK OF ELECTRIC SHOCK
DO NOT OPEN



CAUTION:
TO REDUCE THE RISK OF ELECTRIC SHOCK, DO NOT REMOVE COVER (OR BACK), NO USER SERVICEABLE PARTS INSIDE.
REFER SERVICING TO QUALIFIED SERVICE PERSONNEL.



The lightning flash with arrowhead symbol, within an equilateral triangle, is intended to alert the user to the presence of uninsulated "dangerous voltage" within the product's enclosure that may be of sufficient magnitude to constitute a risk of electric shock to persons.



The exclamation point within an equilateral triangle is intended to alert the user to the presence of important operating and maintenance (servicing) instructions in the literature accompanying the appliance.

WARNING:

TO PREVENT FIRE OR SHOCK HAZARD, DO NOT EXPOSE THIS APPLIANCE TO RAIN OR MOISTURE.

Dit modelis onderworpen aan de EEG-richtlijn (ter voor-koming van radio-interferentie) 87/308/EGG.

Denne model opfylder EF direktiv 87/308/EF (for for-byggelse af radiointerferens).

Este modelo cumple con la norma EC (para interferencias de radio 87/308/EEC).

La Società PANASONIC ITALIA S.p.A., importatrice di questo prodotto, dichiara che questo apparecchio è conforme alle disposizioni della direttiva C.E.E./87/308 (D.M. 13 aprile 1989).

This model conforms of the EC directive (for radio interference) 87/308/EEC.

This apparatus was produced to BS 800:1987.

The serial number of this product may be found on the bottom of the unit.

You should note the serial number of this unit in the space provided and retain this book as a permanent record of your purchase to aid identification in the event of theft.

Model No. _____

Serial No. _____

CONTENTS

PREFACE	2
FEATURES	2
PRECAUTIONS	3
MAJOR OPERATING CONTROLS AND THEIR FUNCTIONS	4
CONNECTION	8
MOUNTING THE LENS	10
FLANGE-BACK FOCAL LENGTH ADJUSTMENT	10
PREVENTION OF BLOOMING AND SMEAR	11
SPECIFICATIONS	12

ENGLISH

The model numbers listed in this Operating Instructions have no suffixes attached to it.

-1-

PREFACE

Panasonic's Colour Digital Camera GP-KR222 introduce a new level of high picture quality and resolution through the utilization of a 1/2-inch interline CCD image sensor having 752 horizontal pixels (picture elements), and through the use of digital signal processing LSI's. High sensitivity is ensured by the use of on-chip micro lenses on each pixel. In addition, the use of aspherical high speed lenses further improves sensitivity. High performance-to-cost ratio is achieved through the extensive use of newly developed digital LSI's.

FEATURES

1. Automatic Light Control (ALC)/ Electronic Light Control (ELC) are built in.
2. Back light Compensation is available.
3. Auto/Manual White Balance Control Function are provided.
4. Selectable of Soft/Sharp Aperture
5. Signal-to-noise ratio of 50 dB

6. Minimum illumination of 3 lux with F1.4 lenses
7. Minimum illumination of 0.9 lux by using Panasonic aspherical high speed (F0.75) lenses.
8. 480 lines of horizontal resolution
9. High quality picture :
 - (a) 2H type vertical enhancer for greater picture sharpness
 - (b) Chroma averaging circuit for better colour signal to noise ratio
 - (c) Minimum of aliasing on fine objects
 - (d) Expanded dynamic range by use of knee circuit signal to noise ratio.
 - (e) Highlight aperture correction for greater picture detail of bright object
10. Ability to shoot indoor scenes with fixed iris lens by use of Electronic Light Control(ELC) function.
11. Backlight compensation for use against unusual lighting conditions.

-2-

PRECAUTIONS

1. Do not attempt to disassemble the camera

To prevent electric shock, do not remove screws or cover. There are no user-service parts inside. Refer servicing to qualified service personnel.

2. Handle the camera with care

Do not abuse the camera. Avoid striking or shaking it. The camera could be damaged by improper handling or storage.

3. Do not expose the camera to rain or moisture, avoid operation in wet areas.

Do take immediate action if the camera should become wet. Turn the power off and request servicing to qualified service personnel. Moisture can damage the camera and also create the danger of electric shock.

4. Never aim the camera at the sun

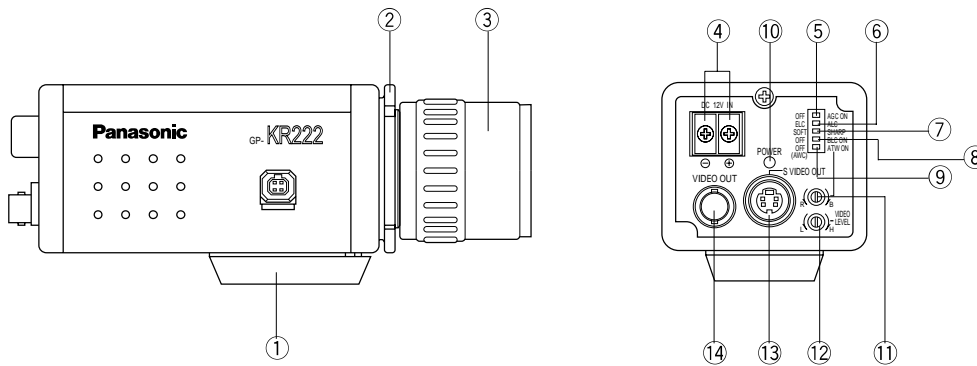
Whether the camera is in use or not, never aim it at the sun or an extremely bright object laser beam etc., as this could cause a damage of CCD image sensor or smear on the picture.

5. Do not operate the camera beyond its temperature, humidity or power source ratings.

- Designed for indoor use
- Ambient temperature must not range beyond -10°C $+50^{\circ}\text{C}$ (14°F $+ 122^{\circ}\text{F}$).
- Avoid using the camera when humidity is above 90%.
- The input power source is 12 V DC, 300mA.

-3-

MAJOR OPERATING CONTROLS AND THEIR FUNCTIONS



-4-

1. Camera Mounting Screw Hole

This threaded hole (1/4" - 20) is used to mount the camera onto a mounting bracket or tripod.

2. Flange-back Adjusting Ring

This is used to adjust the back focal length or picture focus by rotating this ring to clockwise for C-mount lens or counterclockwise for special C-mount (CS mount) lens.

CAUTIONS :

1. Always set this ring to fully clockwise before mounting the lens to prevent damage of inner glass or CCD image sensor.
2. Do not turn this ring too much to counterclockwise when the C-mount lens is mounted as this could damage the inner glass or CCD image sensor.

3. Lens (Option)

4. 12 V In Terminal (DC 12V IN)

This terminal accepts 12 V DC power source (10.8V - 16V)

5. AGC ON/OFF Switch (AGC ON/OFF)

This switch is used to select the gain of the video amplifier as follows :

ON: When the lens iris is fully opened at low light shooting, a clear picture is obtained by automatic increase of the gain.

OFF: A natural and low-noise picture is obtained under a low light condition.

6. Automatic Light Control/Electronic Light Control Selection Switch (ELC / ALC)

This switch is used to select the lens as follows.

ALC: Choose this position when using an auto iris lens.

ELC: Choose this position when using a fixed or manual iris lens.

7. Detail Level Selection Switch (SOFT/SHARP)

The detail/aperture level can be selected by this switch. Set this switch to the desired position while observing the picture on the monitor.

Note: The aperture is cut off at SOFT position.

-5-

8. Back Light Compensation On/Off Switch (BLC ON/OFF)

When back light affects the picture, set this switch to the ON position for a clear picture.

9. Automatic Tracing White Balance Control On/Off Switch (ATW, ON/OFF(AWC))

The white balance setting can be selected as ;

ON: The white balance is automatically and continuously set by detecting the characteristic / colour temperature of light source through the lens and controlling the gain of red and blue signal even if the characteristic / colour temperature varies.

Note: The white balance setting is effected by the setting level of the ATW Control (11). (The bluish white is obtained when the ATW Control has been set to the B side.

OFF: The white balance is automatically set and fixed with the condition switched to the AWC from ATW. When the characteristic/colour temperature of light source changes, set this switch to the ATW ON position then set it back OFF.

Note: The white balance setting is effected by the setting level of the ATW Control (11). (The bluish white is obtained when the ATW Control has been set to the B side.

10. Power Indicator (POWER)

11. ATW Control (ATW ON, R/B)

This control adjusts the level of red and blue colour balance even if the ATW ON/OFF Switch (9) is set to any position. It is preset at the centre position which usually provides accurate colour reproduction.

12. Video Level Control (VIDEO LEVEL, L/H)

This control adjusts the level of auto iris control when the ELC/ALC Selection switch (6) is set to the ALC position, or the level of electric light control when the selection switch (6) is set to the ELC position.

Note: This control does not work in the following conditions

- AGC ON/OFF Switch (5) is set to OFF with the manual or fixed lens.
- AGC gain reaches the maximum level when setting the AGC ON/OFF Switch (5) to ON.

13. S-Video Output Connector (S-VIDEO OUT)

The luminance (Y) and chroma (C) signals for monitor are provided at this connector.

14. Video Output Connector (VIDEO OUT)

A 1.0 Vp-p / 75 ohms composite video signal is provided at this connector.

-6-

ELC (Electronic Light Control)/BLC (Back Light Compensation) Description

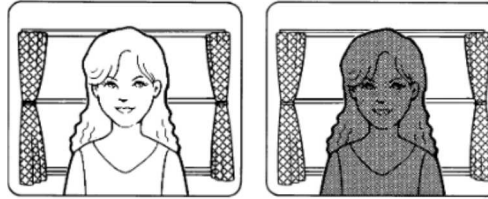
1. ELC (Electronic Light Control)

In this mode a continuously variable electronic shutter is employed to automatically control exposure times in the CCD Image Sensor, according to the incoming light level. When this mode is selected, fixed or manual iris lens can be used instead of an ALC type lens.

Caution :

- Under bright conditions such as outdoors, use an ALC type lens as the ELC control range is not wide enough under these conditions.
 - Under certain unique lighting conditions, the following may appear :
 - strong smear and/or blooming on high light objects such as spot lights or windows.
 - noticeable flicker in the picture and/or the colour rendition variations.
 - periodic variance of white balance
- Should these phenomena occur, use an ALC lens.

2. BLC (Back Light Compensation)



ON

OFF

When strong, unwanted background lighting interferes with the clarity of important scene objects, turn the Back Light Compensation On/Off Switch (8) to the "ON" position.

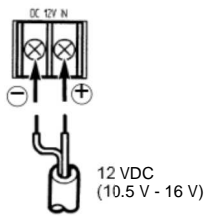
Caution :

Setting this switch to the "BLC OFF" position is recommended in the use with the pan/tilt head or in the object having the rapid change illumination since the speed of lens iris becomes slow in the "BLC ON" position.

-7-

CONNECTION

- A power supply of 12V DC is required.
- Connect the power cable to the 12V DC Power Terminal on the rear panel of the camera.



Resistance of copper wire [at 20°C (68°F)]

Copper wire size (AWG)	#24 (0.22mm ²)	#22 (0.33mm ²)	#20 (0.52mm ²)	#18 (0.83mm ²)
Resistance ohms/ft	0.257	0.165	0.099	0.059
Resistance ohms/m	0.078	0.050	0.030	0.018

- Calculation method of maximum cable length between camera and power supply.

$$10.5V DC \leq V_A - (R \times 0.42 \times L) \leq 16V DC$$

L : Cable length (meter)

R : Resistance of copper wire (ohms/meter)

V_A : DC output voltage of power supply unit

$$L_{\text{standard}} = \frac{V_A - 12}{0.42 \times R} \text{ (meter)}$$

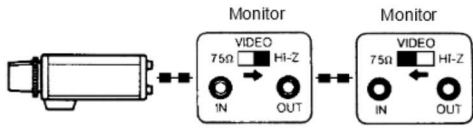
$$L_{\text{minimum}} = \frac{V_A - 16}{0.42 \times R} \text{ (meter)}$$

$$L_{\text{maximum}} = \frac{V_A - 10.5}{0.42 \times R} \text{ (meter)}$$

-8-

Video Cable

1. It is recommended to use a video monitor whose resolution is at least equal to the camera's.
2. Terminate the camera output with 75-ohm resistor at the furthest end of its cable run.
 - A. It is recommended to use 75-ohms coaxial cable. (RG-59/U, RG-6/U, RG-11/U, RG-15/U)



- B. Always set the last monitor's termination switch to 75 ohms, and set the termination switches of intermediate monitors to high impedance (Hi-Z) position.
- C. The maximum extensible coaxial cable length between the camera and the monitor is shown in the table 1. Since cable quality varies among manufactures, verify video quality before final installation if maximum length are to be used.

Table 1

Type of coaxial cable		RG-59/U (3C-2V)	RG-6U (5C-2V)	RG-11/U (7C-2V)	RG-15/U (10C-2V)
Recommended maximum cable length	(ft)	825	1,650	1,980	2,640
	(m)	250	500	600	800

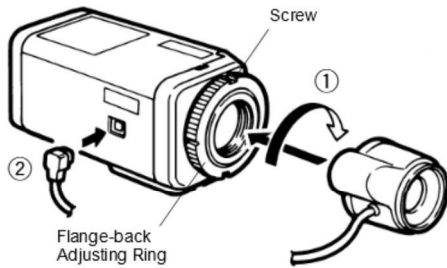
3. Wiring precautions :

- Do not bend coaxial cable into a curve whose radius is smaller than 10 times the cables diameter.
 - Never staple the cable - not even with circular staples. Mismatching will occur.
 - Never crush or pinch the cable
- All of these will change the impedance of the cable and cause poor picture quality.

-9-

MOUNTING THE LENS

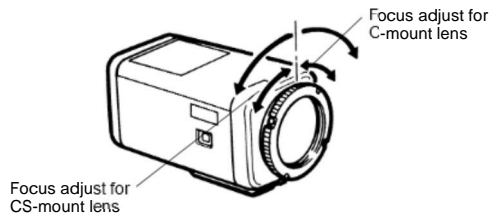
- (1) Mount the lens by turning it clockwise onto the lens mount of the camera.
- (2) Connect the lens cable to the Auto Iris Lens Connector on the camera when an auto iris lens is used.



Caution: Always set the Flange-back adjusting ring to fully clockwise (C-mount side) by loosening the screw on the ring before mounting the lens otherwise the inner glass and CCD image sensor could be damaged by the lens.

FLANGE-BACK FOCAL LENGTH ADJUSTMENT

The following adjustment should be made by qualified service personnel or system installers. When the flange-back focal length should be changed, the following adjustment is necessary.

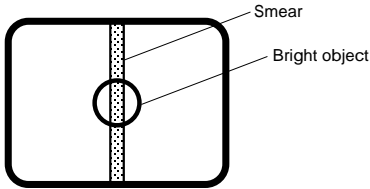


-10-

PREVENTION OF BLOOMING AND SMEAR

When the camera is aimed towards spotlights or other bright lights or light reflecting objects, smear or blooming may appear. Therefore the camera should be operated carefully in the vicinity of extremely bright objects to avoid smear or blooming.

If the camera is aimed at the sun or very bright light, such as laser beam, for a long period of time, the CCD image sensor may be burned in and blemishes (white or black dots) appears on the picture.



-11-

SPECIFICATIONS

Pick-up Device :	752(H) x 582(V) pixels, 1/2" Interline Transfer CCD
Scanning System :	2 : 1 Interlace
Scanning :	625 Lines / 50 Fields / 25 Frames
Horizontal :	15,625 kHz
Vertical :	50 Hz
Horizontal Resolution :	480 lines
Video Output :	1.0 Vp-p PAL composite, 75 ohms/BNC connector
Signal to Noise Ratio :	50 dB (AGC OFF)
Electronic Light Control :	Equivalent to continuous variable shutter speed between 1/50 sec. and 1/15,600 sec.
Minimum Illumination :	3 lux (0.3 footcandle) at F 1.4 (AGC ON)
White Balance :	AWC / ATW selectable
Back-Light Compensation :	Selectable On/Off
Sync System :	Internal
Aperture :	Selectable Soft/Sharp
AGC :	Selectable On/Off
Ambient Operating Temperature :	-10° C - +50° C (14° F - +122° F)
Power Source :	10.8 - 16 V DC, 300mA
Dimensions (excluding lens) :	67(W) X 55(H) X 123(D) mm 2-5/8"(W) X 2-3/16"(H) X 4-13/16"(D)
Weight (excluding lens) :	460g (1.0 lbs.)

Weights and dimensions indicated are approximate.
Specifications are subject to change without notice.

-12-

DEUTSCHE AUSGABE
(GERMAN VERSION)



CAUTION

RISK OF ELECTRIC SHOCK
DO NOT OPEN



WARNUNG:
WEDER DECKEL NOCH RÜCKPLATTE
ABNEHMEN, UM DIE GEFAHR EINES ELEK-
TRISCHEN SCHLAGS ZU VERMEIDEN, DAS
GERÄT ENTHÄLT KEINE BAUTEILE, DIE VOM
KUNDEN GEWARTET WERDEN KÖNNEN.



Das Blitzzeichen mit Pfeil im gleichsei-
tigen Dreieck soll den Benutzer auf das
Vorhandensein von nichtisolierter "ge-
fährlicher Spannung" innerhalb des Ge-
häuses hinweisen, die so groß sein kann,
daß sie Gefahr eines elektrischen Schlags
darstellt.



Das Ausrufezeichen im gleichseitigen
Dreieck soll den Benutzer auf wichtige
Bedienungs und Wartungsanweisungen in
den Unterlagen hinweisen, die dem Gerät
beiliegen.

WARNUNG: UM DIE GEFAHR VON BRAND ODER STROMSCHLAG ZU VERHÜTEN, DIESES GERÄT WEDER
REGEN NOCH FEUCHTIGKEIT AUSSETZEN.

-13-

INHALT

VORWORT	15
MERKMALE	15
VORSICHTSMASSEGEN	16
WICHTIGE BETIENUNGSELEMENTE UND IHRE FUNKTIONEN	17
ANSCHLÜSSE	21
ANBRINGEN DER OBJEKTIVS	23
RÜCKFLANSCHBRENNWEITENEINSTELLUNG	24
VERMEIDUNG VON ÜBERSTRAHLEN UND LEUCHTFAHNEN	24
TECHNISCHE DATEN	25

Die in dieser Bedienungsanleitung aufgeführten Modellnum-
mern weisen keinen Anhang auf.

-14-

Bescheinigung des Herstellers/Importeurs

Hiermit wird bescheinigt, daß der/die/das

Digital-Farbkamera GP-KR222E

(Gerät, Typ, Bezeichnung)
in Übereinstimmung mit den Bestimmungen der
VfG 1046/1984

(Amtsblattverfügung)

funkentstört ist.

Dieses Gerät entspricht als Einzelgerät den Entstörauflagen der
Amtsblatt-Vfg. 1046/1984 bzw. VDE 0871/6.78, Grenzwertklasse
B.

Beim Betrieb innerhalb von Anlagen sind die einschlägigen
Funkentstörbestimmungen einzuhalten.

Der Deutschen Bundespost wurde das Inverkehrbringen dieses
Gerätes angezeigt und die Berechtigung zur Überprüfung der Serie
auf Einhaltung der Bestimmungen eingeräumt.

Panasonic Deutschland GmbH

Name des Herstellers/Importeurs

Dieses Modell entspricht der EG-Vorschrift (für Funk-
störungsschutz) 87/308/EG.

Die Fabriknummer dieses Gerätes ist auf dessen Bo-denab-
deckung angegeben.

Sie sollten die Fabriknummer dieses Gerätes in den da-für
vorgesehenen Raum eintragen und diese Anleitung als
Kaufsunterlage aufbewahren, um im Falle eines Diebstahls
die Identifizierung zu erleichtern.

Modellnummer

Fabriknummer

DEUTSCH

VORWORT

Die Digital-Farbkamera der GP-KR222 von Panasonic stellen hohe Bildqualität und hohe Auflösung sicher, da ein 1/2-Zoll Zwischenzeilen-CCD-Bildsensor mit 752 horizontalen Bildelementen und Digital-Signalverarbeitungs-LSIs verwendet werden.

Hohe Empfindlichkeit wird durch Verwendung von "on-chip" Mikro-Linsen für jeden Bildpunkt gewährleistet. Zusätzlich wird die Empfindlichkeit durch asphärische Objektive hoher Lichtstärke weiter verbessert. Durch die Verwendung neuentwickelter Digital-LSIs wird ein ausgezeichnetes Preis/Leistungs-Verhältnis sichergestellt.

MERKMALE

1. Mit Funktionen für automatische Lichtregelung (ALC)/elektronische Lichtregelung (ELC) ausgestattet.
2. Hintergrundbeleuchtungskompensation steht zur Verfügung.
3. Funktionen für automatischen/manuellen Weißabgleich können benutzt werden.

4. Zwischen weicher/scharfer Blendenöffnung wählbar.
5. Rauschspannungsabstand 50 dB
6. Mindestbeleuchtung 3 Lux mit F1,4 Objektiv
7. Mindestbeleuchtung 0,9 Lux bei Verwendung eines asphärischen Objektivs hoher Lichtstärke (F0,75) von Panasonic
8. 480 Zeilen horizontale Auflösung
9. Hohe Bildqualität:
 - (a) 2H-Typ Vertikalbetoner für bessere Bildschärfe
 - (b) Chromasignal-Durchschnittswert-Schaltkreis für besseren Farb-Fremdspannungsabstand
 - (c) Minimaler Umfalteffekt bei feinen Objekten
 - (d) Größerer Dynamikbereich durch die Benutzung eines Knieschaltungs-Rauschspannungsabstands.
 - (e) Starklicht-Blendenkorrektur für verbesserte Einzelheiten bei hellen Objekten
10. Möglichkeit von Innenaufnahmen mit Objektiv mit fester Blende durch die Verwendung der elektronischen Lichtregelungsfunktion (ELC)
11. Hintergrundbeleuchtungskompensation für die Verwendung bei ungewöhnlichen Beleuchtungsbedingungen

-15-

VORSICHTSMASSREGELN

1. Niemals die Kamera zerlegen.

Um elektrische Schläge zu vermeiden, niemals Schrauben oder Abdeckungen entfernen. Im Inneren der Kamera befinden sich keine vom Anwender wartbare Teile.

Wartungsarbeiten sollten nur von qualifizierten Wartungstechnikern ausgeführt werden.

2. Die Kamera vorsichtig behandeln.

Die Kamera muß immer sorgfältig behandelt werden. Stöße und Erschütterungen vermeiden. Bei falscher Handhabung oder Lagerung kann die Kamera beschädigt werden.

3. Regen und Feuchtigkeit vermeiden; die Kamera nicht an nassen Orten verwenden.

Falls die Kamera naß wird, sind sofortige Maßnahmen erforderlich. Die Stromversorgung ausschalten, und die Kamera von einem qualifizierten Wartungstechniker warten lassen. Feuchtigkeit kann die Kamera beschädigen und zu elektrischen Schlägen führen.

4. Die Kamera niemals auf die Sonne richten.

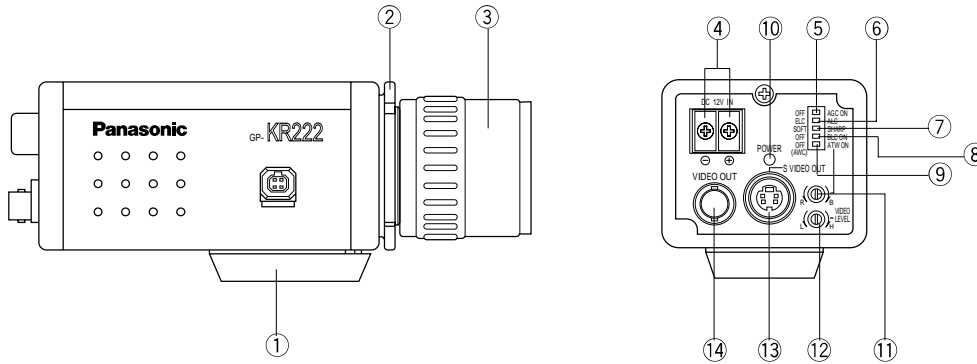
Ganz gleich, ob die Kamera in Betrieb ist oder nicht, sollte diese niemals auf die Sonne oder ein extrem helles Objekt, wie z.B. einen Laserstrahl, gerichtet werden, weil, dadurch der CCD-Bildsensor beschädigt oder das Bild verschmiert werden könnte.

5. Die Kamera nicht außerhalb ihrer vorgeschriebenen Temperatur-, Luftfeuchtigkeits- oder Stromversorgungsbereiche betreiben.

- (a) Für Verwendung in Innenräumen vorgesehen.
- (b) Die Umgebungstemperatur darf den Bereich von -108°C bis $+50^{\circ}\text{C}$ nicht überschreiten.
- (c) Die Kamera nicht verwenden, wenn die Luftfeuchtigkeit 90% übersteigt.
- (d) Die Eingangsstromversorgung beträgt 12V Gleichstrom, 300 mA.

-16-

WICHTIGE BETRIEBSELEMENTE UND IHRE FUNKTIONEN



-17-

1. Kamera-Befestigungsbohrung

Diese Gewindebohrung (1/4" - 20) wird für die Montage der Kamera auf einer Einbaukonsole oder einem Stativ verwendet.

2. Rückflansch-Einstellung

Wird für die Einstellung der Rückflansch-Brennweite oder der Bildschärfe verwendet, indem dieser Ring für Objektive mit C-Fassung im Uhrzeigersinn oder für Objektive mit CS-Fassung gegen den Uhrzeigersinn gedreht wird.

VORSICHT:

1. Diesen Ring immer bis zum Anschlag im Uhrzeigersinn drehen, bevor das Objektiv angebracht wird, um eine Beschädigung des inneren Glases oder des CCD-Bildsensors zu vermeiden.
2. Diesen Ring nicht zu weit gegen den Uhrzeigersinn drehen, wenn ein Objektiv mit C-Fassung angebracht ist, da sonst der innere CCD-Bildsensor beschädigt werden kann.

3. Objektiv (Option)

4. 12V-Gleichstrom-Eingangsklemme (DC 12V IN)

Diese Klemme ist zum Anschließen einer 12V-Gleichstromquelle (10,8V - 16V) vorgesehen.

5. Ein/Aus-Schalter für automatische Verstärkungsregelung (AGC ON/OFF)

Dieser Schalter wird verwendet, um den Verstärkungsgrad des Videoverstärkers wie folgt zu wählen :

ON: Wenn die Objektivblende beim Aufnehmen bei schlechten Lichtverhältnissen ganz geöffnet wird, läßt sich durch die automatische Erhöhung des Verstärkungsgrads ein klares Bild erzielen.

OFF: Bei schwacher Beleuchtung läßt sich ein natürliches und störungsarmes Bild erzielen.

6. Wahlschalter für elektronische Lichtregelung/ automatische Lichtregelung (ELC / ALC)

Dieser Schalter wird verwendet, um das Objektiv wie folgt zu wählen :

ALC: Diese Stellung wählen, wenn ein Objektiv mit automatischer Blendenregelung verwendet wird.

ELC: Diese Stellung wählen, wenn ein Objektiv mit Festblende oder manueller Blendenregelung verwendet wird.

7. Detailpegel-Wahlschalter (SOFT/SHARP)

Der Detail-/Blendenöffnungspegel kann mit Hilfe dieses Schalters gewählt werden. diesen Schalter auf die gewünschte Stellung einstellen, während dabei das Bild auf dem Monitor-Bildschirm beobachtet wird.

-18-

Zur Beachtung: Die Blendenöffnung wird in der Stellung "SOFT" nicht beeinflusst.

8. Hintergrundbeleuchtungskompensations-Ein/Aus-Schalter (BLC ON/OFF)

Wenn eine Hintergrundbeleuchtung das Bild beeinträchtigt, diesen Schalter auf "ON" einstellen, um ein klares Bild erzielen zu können.

9. Ein/Aus-Schalter für Weißabgleich mit automatischer Abtastung (ATW, ON/OFF(AWC))

Die Einstellung des Weißabgleichs kann wie folgt gewählt werden :

ON: Die Einstellung des Weißabgleichs erfolgt automatisch und fortlaufend durch Erkennen der Charakteristik/Farbtemperatur der Lichtquelle und Regeln des Verstärkungsgrads der Rot- und blausignale, selbst wenn sich die Charakteristik/Farbtemperatur ändert.

Zur Beachtung: Die Einstellung des Weißabgleichs wird durch den Einstellpegel des Reglers für Weißabgleich mit automatischer Abtastung (11) beeinflusst. (ein bläuliches Weiß ergibt sich, wenn der erwähnte Regler auf die Seite B eingestellt worden ist.)

OFF: Der Weißabgleich wird automatisch eingestellt und festgehalten, wenn von weißabgleich mit automatischer Abtastung auf automatischen Weißabgleich umgeschaltet wird. Wenn sich die Charakteristik/Farbtemperatur der Lichtquelle ändert, diesen Schalter auf die Stellung "ATW ON", dann wieder auf "OFF" einstellen.

Zur Beachtung: Die Einstellung des Weißabgleichs wird durch den Einstellpegel des Reglers für Weißabgleich mit automatischer Abtastung (11) beeinflusst. (Ein bläuliches Weiß ergibt sich, wenn der erwähnte Regler auf die Seite B eingestellt worden ist.)

10. Einschaltanzeige (POWER)

11. Regler für Weißabgleich mit automatischer Abtastung (ATW ON, R/B)

Dieser Regler regelt den Pegel des Rot- und Blau-Farbabgleichs, selbst wenn der Ein/Aus-Schalter für Weißabgleich mit automatischer Abtastung (9) beliebig eingestellt wird. Dieser Regler ist auf die mittlere Position voreingestellt worden, die gewöhnlich für eine genaue Farbwiedergabe sorgt.

-19-

12. Videopegelregler (VIDEO LEVEL, L/H)

Dieser Regler regelt bei Einstellung des Wahlschalters für elektronische Lichtregelung/-automatische Lichtregelung (6) auf die Position "ALC" den Pegel der Blendenautomatik bzw. bei Einstellung des Wahlschalters (6) auf die Position "ELC" den Pegel der elektronischen Lichtregelung.

Zur Beachtung: Dieser Regler funktioniert unter den folgenden Bedingungen nicht :

- Der Ein/Aus-Schalter für automatische Verstärkungsregelung (AGC ON/OFF) (5) ist bei Verwendung eines Objektivs mit Festblende oder manueller Blendenregelung auf "OFF" eingestellt worden.
- Die automatische Verstärkungsregelung erreicht bei Einstellung des erwähnten Schalters (5) auf "ON" den maximalen Pegel.

13.S-Videoausgangs-Steckverbinder (S-VIDEO OUT)

Die Luminanz(Y)- und Chroma(C)-Signale für den Monitor stehen an diesem Steckverbinder zur Verfügung.

14. Videoausgangs-Steckverbinder (VIDEO OUT)

Ein Videosignalgemisch mit 1,0 Vss steht an diesem Steckverbinder zur Verfügung.

Beschreibung der elektronischen Lichtregelung (ELC)/Hintergrundbeleuchtungskompensation (BLC)

1. Elektronische Lichtregelung (ELC)

In dieser Betriebsart wird ein stufenlos geregelter elektronischer Verschluss benutzt, um die Belichtungszeiten im CCD-Bildsensor entsprechend dem Pegel des einfallenden Lichtes automatisch zu steuern. Bei Wahl dieser Betriebsart kann anstelle eines Objektivs mit automatischer Lichtregelung ein Objektiv mit Festblende oder manueller Blendenregelung verwendet werden.

Vorsichtsmaßnahmen :

1. Bei hellem Licht, wie z.B. im Freien, ein Objektiv mit automatischer Lichtregelung verwenden, weil der Bereich der elektronischen Lichtregelung unter diesen Bedingungen nicht groß genug ist.
2. Unter bestimmten ungewöhnlichen Beleuchtungsbedingungen können die folgenden Störungen auftreten :
 - Starke Verschmierung und/oder Überstrahlen bei Objekten, die durch Scheinwerfer oder Tageslicht in Fensternähe hell beleuchtet sind.
 - Ein wahrnehmbares Flimmern im Bild und/oder eine unterschiedliche Farbwiedergabe.

-20-

- Eine periodische Varianz des Farbabgleichs. Sollten derartige Störungen auftreten, ein Objektiv mit automatischer Lichtregelung verwenden.

2. Hintergrundbeleuchtungskompensation (BLC)



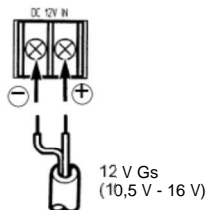
Wenn sich eine starke, unerwünschte Hintergrundbeleuchtung störend auf die Deutlichkeit wichtiger Szenenobjekte auswirkt, den Hintergrundbeleuchtungskompensations-Ein/Aus-Schalter (8) auf "ON" einstellen.

Vorsicht :

Einstellung dieses Schalters auf "BLC OFF" ist empfehlenswert, wenn der Kopf für Schwenken/Neigen verwendet wird oder wenn sich die Beleuchtung eines Objekts schnell ändert, weil die Geschwindigkeit der Objektivblende in der Stellung "BLC ON" abnimmt.

ANSCHLÜSSE

1. Eine Stromversorgung von 12V Gleichstrom ist erforderlich.
2. Das Stromversorgungskabel an die Eingangsklemme für 12V Gleichstrom (DC 12V IN) (4) an der Rückwand der Kamera anschließen.



Widerstand des Kupferdrahtes (20°C)

Kupferdraht Querschnitt Widerstand (AWG)	#24 (0,22 mm ²)	#22 (0,33 mm ²)	#20 (0,52 mm ²)	#18 (0,83 mm ²)
Widerstand Ohm/Fuß	0,257	0,165	0,099	0,059
Widerstand Ohm/m	0,078	0,050	0,030	0,018

-21-

- Berechnung der maximalen Kabellänge zwischen Kamera und Stromversorgung.
 $10,5V DC \leq V_A - (R \times 0,42 \times L) \leq 16V DC$
 L: Kabellänge (Meter)
 R: Widerstand des Kupferdrahtes (Ohm/m)
 V_A: Gleichspannung der Stromversorgung

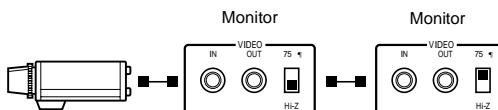
$$L \text{ Standard} = \frac{V_A - 12}{0,42 \times R} \text{ (Meter)}$$

$$L \text{ Minimum} = \frac{V_A - 16}{0,42 \times R} \text{ (Meter)}$$

$$L \text{ Maximum} = \frac{V_A - 10,5}{0,42 \times R} \text{ (Meter)}$$

Videokabel

1. Es ist empfehlenswert, einen Videomonitor zu verwenden, dessen Auflösung mindestens derjenigen der Kamera entspricht.
2. Den Kameraausgang am äußersten Kabelende mit einem 75-Ohm-Widerstand abschließen.
 - A. Es ist empfehlenswert, ein 75-Ohm-Kabel (RG-59/U, RG-6/U, RG-11/U, RG-15/U) zu verwenden.
 - B. Immer den Abschlußschalter des letzten Monitors auf 75 Ohm einstellen, und die Abschlußschalter der dazwischenliegenden Monitore auf HIGH (Hi-Z) stellen.



- C. Die maximale Länge des Koaxialkabels zwischen der Kamera und dem Monitor ist in Tabelle 1 aufgeführt. Da die Kabelqualität vom Hersteller abhängt, die Bildqualität vor dem endgültigen Einbau überprüfen, wenn die maximale Länge verwendet wird.

-22-

Tabelle 1

Koaxialkabeltyp		RG-59/U (3C-2V)	RG-6U (5C-2V)	RG-11/U (7C-2V)	RG-15/U (10C-2V)
Empfohlene maximale Kabellänge	(ft)	825	1650	1980	2640
	(m)	250	500	600	800

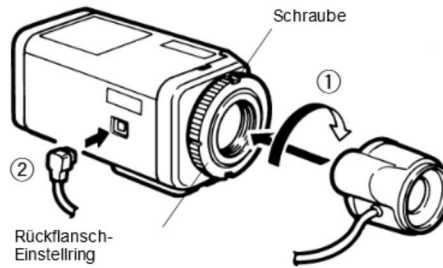
3. Vorsichtsmaßnahmen für die Verdrahtung:

- Der Biegeradius des Koaxialkabels darf den zehnfachen Kabeldurchmesser nicht unterschreiten.
- Das Kabel niemals mit Krampen befestigen, auch nicht mit runden Krampen. Es könnte zu einer Fehlanpassung kommen.
- Das Kabel niemals zerquetschen oder zusammendrücken.

All diese Probleme ändern die Impedanz des Kabels und können zu einer schlechten Bildqualität führen.

ANBRINGEN DER OBJEKTIVS

- (1) Das Objektiv anbringen, indem dieses im Uhrzeigersinn auf die Objektivfassung der Kamera aufgeschraubt wird.
- (2) Das Objektivkabel an den Steckverbinder für das Objektiv mit Blendenautomatik an der Kamera anschließen, wenn ein Objektiv mit Blendenautomatik verwendet wird.



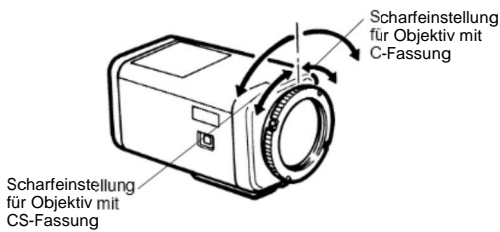
Vorsicht:

Immer den Rückflansch-Einstellung bis zum Anschlag im Uhrzeigersinn drehen (C-Fassungsseite), indem eine Schraube an dem Ring gelöst wird, bevor das Objektiv angebracht wird, da anderenfalls das innere Glas und der CCD-Bildsensor durch das Objektiv beschädigt werden können.

RÜCKFLANSCH-BRENNWEITENEINSTELLUNG

Die folgende Einstellung sollte von qualifiziertem Kundendienstpersonal oder Systemmonteuren vorgenommen werden.

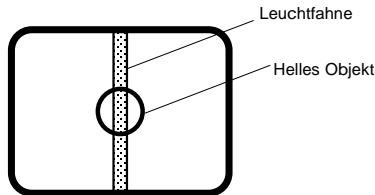
Wenn die Rückflansch-Brennweite geändert werden muß, ist die folgende Einstellung erforderlich.



VERMEIDUNG VON ÜBERSTRAHLEN UND LEUCHTFAHNEN

Wenn die Kamera auf Scheinwerfer oder andere helle Lichter und lichtreflektierende Objekte gerichtet ist, kann es zu Leuchtfahnen oder zu Überstrahlen kommen. Daher sollte die Kamera in der Nähe von extrem hellen Objekten sorgfältig bedient werden, um derartige Störungen zu vermeiden.

Wird die Kamera für längere Zeit auf die Sonne oder ein sehr helles Licht (wie z.B. Laser-Strahl) gerichtet, dann kann es zu einem Einbrennen auf dem CCD-Bildsensor kommen, so daß weiße oder schwarze Punkte in dem Bild erscheinen.



TECHNISCHE DATEN

Aufnahmeelement:	752(H) x 582(V) Pixels, CCD mit 1/2-Zoll-Zwischenzeilenübertragung
Abtastsystem:	2:1 Zeilensprung
Abtastung:	625 Zeilen/50 Halbbilder/25 Vollbilder
Horizontal:	15,625 kHz
Vertikal:	50 Hz
Horizontale Auflösung:	480 Zeilen
VideoAusgang:	1,0 Vs-s PAL Komposit, 75 Ohm/BNC-Stecker
Fremdspannungsabstand:	50 dB (AGC OFF)
Elektronische Lichtsteuerung:	Gleichwertig zu variabler Verschlusszeit zwischen 1/50 sek. und 1/15.600 sek.
Mindestbeleuchtung:	3 Lux bei Blende 1,4 (AGC ON)
Weißabgleich:	AWC/ATW wählbar
Hintergrundbeleuchtungs-kompensation:	EIN/AUS wählbar
Synch.-System:	Internen
Blendenöffnung:	Zwischen Weich/Scharf wählbar
Automatische Verstärkungsregelung:	Zwischen Ein/Aus wählbar
Zul. Umgebungstemperatur:	-10° C - +50° C
Stromversorgung:	10,8 - 16 V Gleichstrom, 300mA
Abmessungen (ohne Objektiv):	67(B) x 55(H) x 123(T) mm
Gewicht (ohne Objektiv):	460 g

Abmessungen und Gewicht sind ungefähre Werte.

Änderungen der technischen Daten ohne Vorankündigung vorbehalten.

-25-

VERSION FRANÇAISE (FRENCH VERSION)



CAUTION
RISK OF ELECTRIC SHOCK
DO NOT OPEN

ATTENTION:
POUR ÉVITER TOUT RISQUE D'ÉLECTROCUTION, LE COUVERCLE (OU LE PANNEAU ARRIÈRE) NE DOIT JAMAIS ÊTRE DÉMONTÉ. AUCUNE PIÈCE DESTINÉE À L'UTILISATEUR SE TROUVE À L'INTÉRIEUR DE L'APPAREIL. CONFIER LES RÉGLAGES ET LES RÉPARATIONS À UN DÉPANNEUR PROFESSIONNEL.



Le point d'exclamation placé dans un triangle équilatéral sert à attirer l'attention de l'utilisateur sur des instructions de fonctionnement et d'entretien (de dépannage) à caractère important dans la brochure qui accompagne l'appareil.

Cet appareil est conforme aux prescriptions de la directive 87/308/C.E.E. (concernant les interférences radio).

La Société PANASONIC-FRANCE, importateur du matériel MATSUSHITA-JAPON déclare que cet appareil est conforme aux prescriptions de la directive 87/308/C.C.E. modifiée par la directive 82/499/CEE.



L'éclair à extrémité fléchée placé dans un triangle équilatéral est destiné à attirer l'attention de l'utilisateur sur la présence d'une "tension potentiellement dangereuse" et non isolée se trouvant dans les limites du coffret de l'appareil dont la puissance est suffisante pour constituer un risque important d'électrocution.

Le numéro de série de l'appareil se trouve sur la plaque de fond.

Nous vous conseillons de relever le numéro de série de votre appareil dans l'espace réservé ci-dessous et de conserver précieusement votre notice d'instructions en tant que justificatif d'achat aux fins d'identification en cas de vol.

No. de modèle _____

No. de série _____

AVERTISSEMENT: NE JAMAIS EXPOSER CET APPAREIL À LA PLUIE NI LE LAISSER DANS UN LIEU HUMIDE SOUS PEINE DE CRÉER UN AMORÇAGE ÉLECTRIQUE OU UNE ÉLECTROCUTION.

-26-

SOMMAIRE

PRÉFACE	28
CARACTÉRISTIQUES DOMINANTES	28
MESURES DE PRÉCAUTION	29
COMMANDES PRINCIPALES ET FONCTIONS	30
RACCORDEMENTS	34
INSTALLATION DEL'OBJECTIF	36
RÉGLAGE DE LONGUEUR FOCALE DE FOYER ARRIÈRE	37
MESURE PRÉVENTIVE CONTRE L'HYPERLUMINOSITÉ ET LE TRÎNAGE	37
FICHE TECHNIQUE	38

Les numéros de modèle qui sont mentionnés dans les instructions d'utilisation n'ont aucune suffixe indiqué.

FRANÇAIS

-27-

PRÉFACE

La caméra vidéo de surveillance couleur et numériques GP-KR222 Panasonic introduit une nouvelle norme en termes de haute qualité d'image et de résolution supérieure grâce à l'adoption d'un nouveau type d'analyseur d'image à transfert de charges de lignes de 1/2 pouce de 752 pixels horizontaux (éléments d'image), mais aussi avec l'emploi de circuits à intégration à grande échelle de traitement de signaux numériques.

La haute sensibilité est assurée par l'utilisation de micro-lentilles sur puces pour chaque élément d'image. En outre, l'adjonction d'objectifs à lentilles asphériques à haute luminosité renforce la sensibilité générale. Un rapport hautes performances-qualité-prix tout à fait favorable est ainsi obtenu grâce à un usage intensif de nouveaux types de circuits numériques à intégration à grande échelle.

CARACTÉRISTIQUES DOMINANTES

1. Fonctions de contrôle automatique de lumière (ALC)/contrôle électronique de lumière (ELC) incorporées.
2. Compensation d'éclairage en contre-jour disponible.
3. Pourvue des fonctions de contrôle automatique/manuel de balance des blancs.
4. Sélection d'ouverture enveloppée/détaillée
5. Rapport signal-sur-bruit de 50 dB
6. Éclairage minimum de 3 lux avec des objectifs f/1,4 asphériques à haute luminosité Panasonic.
7. Éclairage minimum de 0,9 lux avec des objectifs asphériques à haute luminosité Panasonic (f/0,75).
8. Résolution horizontale de 480 lignes.
9. Images à haute définition:
 - (a) Optimiseur vertical numérique de 2H renforçant la netteté des images
 - (b) Circuit de pondération de chrominance favorisant un rapport signal-sur-bruit couleur supérieur
 - (c) Élimination minimale des sujets les plus infimes
 - (d) Étalement de la gamme dynamique grâce à l'usage d'un circuit de contrôle rapport signal-sur-bruit à rotule (3).
 - (e) Correction d'ouverture sous éclairage puissant en faveur d'une meilleure définition des images de sujets brillants
10. Possibilité d'enregistrement de scènes en intérieur avec un objectif à focale fixe et en utilisant la fonction de contrôle électronique de lumière (ELC).
11. Compensation d'éclairage en contre-jour permettant de filmer dans des conditions d'éclairage inhabituelles.

-28-

MESURES DE PRÉCAUTION

1. Ne jamais essayer de démonter cette caméra vidéo de surveillance.

Ne jamais retirer les vis de fixation ni les éléments du coffret de la caméra vidéo de surveillance sous peine de risque d'électrocution. Aucun composant destiné à l'utilisation du propriétaire de l'appareil n'a été placé à l'intérieur.

Confier les réglages et le dépannage à un technicien professionnel.

2. Manipuler la caméra vidéo de surveillance avec délicatesse.

Ne jamais manipuler brutalement cette caméra vidéo de surveillance. Lui éviter tout choc et secousses. Cette caméra vidéo de surveillance risque d'être endommagée à la suite d'une manipulation brutale ou d'un rangement inapproprié.

3. Ne jamais exposer la caméra vidéo de surveillance à la pluie ni la soumettre à l'humidité et éviter de la placer dans des lieux humides.

Prendre immédiatement les mesures qui s'imposent si la caméra vidéo de surveillance a été mouillée. Couper tout de suite l'alimentation et demander à un technicien professionnel de la vérifier. Non seulement l'humidité risque d'endommager la caméra vidéo de surveillance, mais ceci peut également favoriser une électrocution dans les pires cas.

4. Ne jamais diriger la caméra vidéo de surveillance directement vers le soleil.

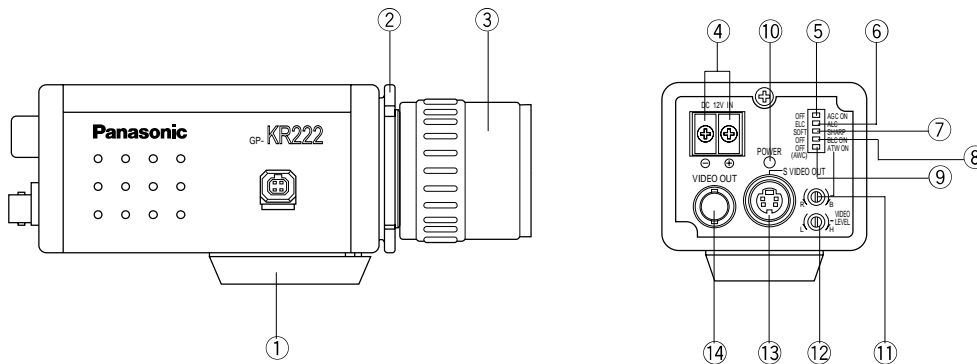
Que la caméra soit mise en service ou non, il ne faut jamais la diriger directement vers le soleil ni en direction de toute autre source lumineuse puissante tel qu'un rayon laser lumineux, etc., sous peine d'endommager l'analyseur d'image à système à transfert de charges ou de provoquer un trainage.

5. La caméra vidéo de surveillance ne doit pas être mise en service au-delà de ses limites de température, d'humidité et de puissance d'alimentation.

- Conçue pour être utilisée
- Les limites de température ne doivent pas être dépassées -10°C à $+50^{\circ}\text{C}$.
- Éviter de mettre la caméra vidéo de surveillance dans un milieu où le taux d'humidité est supérieur à 90%.
- La source d'alimentation doit être de 12V de courant continu et 300 mA.

-29-

COMMANDES PRINCIPALES ET FONCTIONS



-30-

1. Embase fileté de montage de caméra vidéo de surveillance

Cette embase fileté (de 1/4 de pouce - 20) permet d'installer la caméra vidéo de surveillance sur une potence ou un trépied.

2. Bague de réglage de foyer arrière

Cette bague permet d'effectuer un réglage de foyer arrière ou de mise au point de l'image par simple rotation dans le sens horaire dans le cas d'un objectif à monture de type C ou dans le sens horaire inverse dans le cas d'un objectif à monture de type CS.

Attention:

1. Cette bague doit toujours être tournée au maximum dans le sens horaire avant que soit monté un objectif sur la caméra vidéo de surveillance afin de pas endommager la surface en verre de l'analyseur d'image à dispositif de transfert de charges.
2. Ne jamais tourner excessivement cette bague dans le sens horaire inverse quand un objectif à monture C est installé sur la caméra vidéo de surveillance car ceci aurait pour effet d'endommager la surface en verre de l'analyseur d'image à dispositif de transfert de charges.

3. Objectif (Option)

4. Bornes d'entrée 12V de courant continu (DC 12V IN)

Cette borne de raccordement permet de recevoir du courant d'alimentation continu de 12V (10,8 - 16V).

-31-

5. Commutateur de contrôle automatique de gain (AGC ON/OFF)

Ce commutateur est utilisé pour sélectionner le gain de l'amplificateur vidéo de la façon suivante :

ON: Lorsque le diaphragme de l'objectif est complètement ouvert sous de faibles conditions d'éclairage, une image claire est obtenue grâce à l'accroissement automatique du gain.

OFF: Une image aux couleurs naturelles et à faible bruit est obtenue sous de faibles conditions d'éclairage.

6. Sélecteur de contrôle automatique de lumière/contrôle électronique de lumière (ELC / ALC)

Ce sélecteur est utilisé pour choisir un objectif de la façon suivante.

ALC: Choisir cette position quand un objectif à diaphragme automatique est utilisé.

ELC: Choisir cette position quand un objectif à focale fixe ou à diaphragme à réglage manuel est utilisé.

7. Sélecteur de niveau de détail (SOFT/SHARP)

Le niveau de détail/d'ouverture peut être choisi avec ce sélecteur. Le placer sur la position voulue tout en observant les images sur l'écran du moniteur vidéo.

Remarque: L'ouverture ou coupée avec la position SOFT.

8. Commutateur marche/arrêt de compensation de contre-jour (BLC ON/OFF)

Lorsque la source d'éclairage en contre-jour affecte la qualité de l'image, ce commutateur doit être placé en position "ON" afin de pouvoir obtenir des images de meilleure qualité.

9. Interrupteur marche-arrêt de commande de balance des blancs par analyse automatique (ATW, ON/OFF(AWC))

Le calage de balance des blancs peut être sélectionné de la façon suivante :

ON: La balance des blancs est calée automatiquement et en permanence par détection des caractéristiques/température de couleur de la source d'éclairage analysée au travers de l'objectif, ce qui permet de contrôler le gain du signal du rouge et du signal du bleu quand bien même les caractéristiques/température de couleur de la source d'éclairage varieraient.

Remarque: Le calage de balance des blancs est mis en vigueur par le niveau calé de la commande ATW (11). (Le blanc bleuâtre est obtenu quand la commande ATW a été placée en position B.

OFF: La balance des blancs est automatiquement calée et fixée par les conditions suivant le positionnement AWC à ATW. Lorsque les caractéristiques/température de couleur de la source d'éclairage analysée varient, placer le sélecteur en position ATW ON puis le ramener sur OFF.

Remarque: Le calage de balance des blancs est mis en vigueur par le niveau calé de la commande ATW (11). (Le blanc bleuâtre est obtenu quand la commande ATW a été placée en position B.

10. Témoin d'alimentation (POWER)

11. Commande ATW (ATW ON, R/B)

Cette commande permet d'ajuster le niveau de la balance du rouge et du bleu quand l'interrupteur marche-arrêt de commande de balance des blancs par analyse automatique (9) est placé sur n'importe quelle position. Il est pré-réglé en position centrale, positionnement qui permet d'obtenir normalement une excellente reproduction des couleurs.

12. Commande de niveau vidéo (VIDEO LEVEL, L/H)

Cette commande permet d'ajuster le niveau de commande du diaphragme automatique quand le sélecteur ELC/ALC (6) est placé en position ALC ou le niveau de la commande de calage électronique de lumière quand le sélecteur (6) est placé en position ELC.

Remarque: Cette commande est inopérante dans les conditions suivantes.

- Lorsque le sélecteur AGC ON/OFF se trouve en position OFF et qu'un objectif à réglage manuel ou à focale fixe est utilisé.

-32-

- Le gain du contrôle automatique de gain parvient au niveau maximum quand la commande de contrôle automatique de gain (AGC ON/OFF) (5) se trouve en position ON.

13. Connecteur de sortie S-vidéo (S-VIDEO OUT)

Les signaux de luminance (Y) et de chrominance destinés au moniteur vidéo sont présents à ce connecteur.

14. Connecteur de sortie vidéo (VIDEO OUT)

Un signal vidéo composite de 1,0 Vcc/75 ohms est présent à ce connecteur.

Description du contrôle électronique de lumière (ELC)/de la compensation de contre-jour (BLC)

1. Contrôle électronique de lumière (ELC)

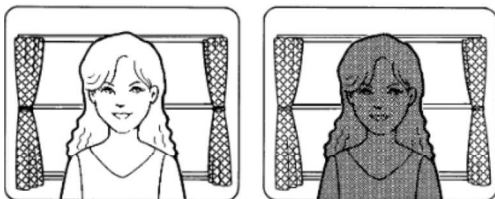
Avec ce mode, un obturateur électronique variable continu est utilisé pour assurer le contrôle automatique de l'exposition dans l'analyseur d'image à dispositif de transfert de charges en fonction du niveau de la lumière d'arrivée. Quand ce mode est choisi, un objectif à diaphragme fixe ou manuel peut être utilisé à la place d'un objectif de type ALC.

Mesures de précautions :

1. Quand les conditions d'éclairage sont bonnes telles que la lumière extérieure, utiliser un objectif de type ALC parce que les limites de contrôle en mode ELC ne sont pas suffisantes pour couvrir ces conditions d'éclairage.
 2. Sous certaines conditions d'éclairage, l'un des phénomènes suivant risque de se produire auquel cas un objectif de type ALC doit être utilisé.
 - Important traînage et/ou hyperluminosité des sujets fortement lumineux tels que des projecteurs d'éclairage ou des fenêtres.
 - Un scintillement évident des images et/ou des variations de rendu chromatique.
 - Variation périodique de balance des blancs
- Se servir d'un objectif de type ALC si l'un des phénomènes indiqués se manifeste.

-33-

2. Compensation de contre-jour (BLC)



En fonction

Hors service

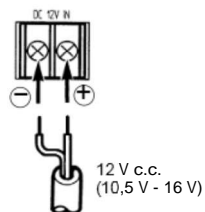
Lorsqu'une puissante et indésirable source d'éclairage en contre-jour affecte réellement la définition de sujets d'observation placés au centre de l'image, placer ce commutateur en position "ON".

Mesures de précaution :

Il est vivement conseillé de placer le commutateur en position "BLC OFF" quand une tourelle télécommandée de balayage panoramique/vertical est utilisée ou lorsqu'un sujet exposé à de rapides changements d'éclairement doit être observé parce que la vitesse de réaction du diaphragme de l'objectif est plus lente en position "BLC ON".

RACCORDEMENTS

1. Utiliser une source d'alimentation de 12V c.c.
2. Raccorder le cordon d'alimentation à la borne d'entrée de 12V c.c. à l'arrière de la caméra.



Résistance du fil de cuivre (à 20°C)

Calibre de fil de cuivre (calibrage américain normalisé) (AWG)	#24 (0,22mm ²)	#22 (0,33mm ²)	#20 (0,52mm ²)	#18 (0,83mm ²)
Résistance ohms/ft	0,257	0,165	0,099	0,059
Résistance ohms/m	0,078	0,050	0,030	0,018

-34-

- Mode de calcul de la longueur maximale du câble entre la caméra et la source d'alimentation.
10,5V de courant continu $\leq V_A - (R \times 0,42 \times L)$
 $\leq 16V$ de courant continu

L: Longueur du câble (en mètres)
R: Résistance du fil en cuivre (ohms/mètre)
V_A: Tension de sortie c.c. du bloc d'alimentation

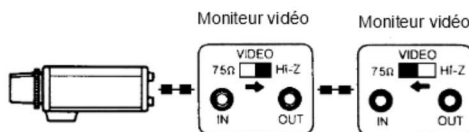
$$L \text{ standard} = \frac{V_A - 12}{0,42 \times R} \text{ (mètres)}$$

$$L \text{ minimale} = \frac{V_A - 16}{0,42 \times R} \text{ (mètres)}$$

$$L \text{ maximale} = \frac{V_A - 10,5}{0,42 \times R} \text{ (mètres)}$$

Câble vidéo

1. Il est recommandé d'utiliser un moniteur vidéo dont la définition est au moins égale à celle de la caméra.
2. Terminer la sortie de la caméra par une résistance de 75 ohms à l'extrémité la plus éloignée du câble.
 - A. Il est conseillé d'utiliser un câble coaxial de 75 ohms. (RG-59/U, RG-6/U, RG-11/U, RG-15/U)
 - B. Régler l'interrupteur de terminaison du dernier moniteur à 75 ohms et mettre les interrupteurs de terminaison des moniteurs intermédiaires en position HIGH.



- C. La longueur maximale extensible du câble coaxial entre la caméra et le moniteur est indiquée dans le tableau 1. Étant donné que la qualité des câbles varie d'un fabricant à l'autre, il est préférable de vérifier la netteté de l'image avant d'effectuer l'installation, surtout si l'on utilise les longueurs maximales.

-35-

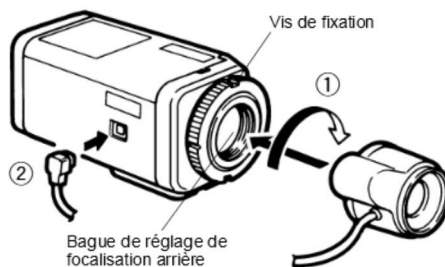
Tableau 1

Type de câble coaxial		RG-59/U (3C-2V)	RG-6U (5C-2V)	RG-11/U (7C-2V)	RG-15/U (10C-2V)
Longueur maximum de câble recommandée	(ft)	825	1 650	1 980	2 640
	(m)	250	500	600	800

3. Précautions à suivre pour le câblage:
 - Ne pas plier le câble coaxial suivant une courbe dont le rayon est inférieur à 10 fois le diamètre.
 - Ne jamaisagrafer le câble, même pas avec des agrafes rondes, afin d'éviter les défauts d'accord.
 - Ne pas écraser ou pincer le câble.
 Si ces précautions ne sont pas observées, l'impédance du câble risque d'être altérée et la qualité de l'image réduite.

INSTALLATION DE L'OBJECTIF

- (1) Monter l'objectif en le tournant dans le sens des aiguilles d'une montre sur la monture d'objectif de la caméra vidéo de surveillance.
- (2) Raccorder le câble de raccordement d'objectif au connecteur d'objectif à diaphragme automatique de la caméra vidéo de surveillance utilisée.

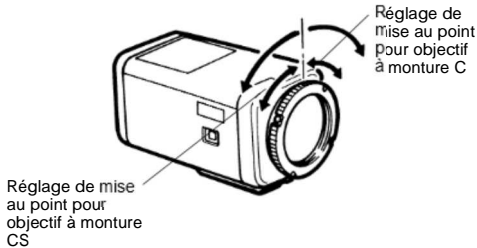


Attention: La bague de réglage de foyer arrière doit toujours être tournée au maximum dans le sens horaire (côté monture C) en desserrant une vis de fixation de la bague avant que soit monté l'objectif sur la caméra vidéo de surveillance sinon la surface en verre de l'analyseur d'image à dispositif de transfert de charges risque d'être endommagée par l'objectif.

-36-

RÉGLAGE DE LONGUEUR FOCALE DE FOYER ARRIÈRE

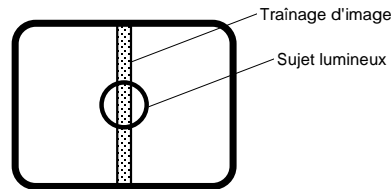
Le réglage suivant doit être réalisé par un technicien qualifié ou par les installateurs du système.
When the flange-back focal length should be changed, the following adjustment is necessary.



MESURE PRÉVENTIVE CONTRE L'HYPERLUMINOSITÉ ET LE TRÎNAGE

Lorsque la caméra vidéo de surveillance est dirigée vers des spots d'éclairage ou vers toute source de lumière intense ou des objets réfléchissants la lumière, une hyperluminosité ou un trînage risquent de se produire. C'est la raison pour laquelle la caméra vidéo de surveillance doit être mise en fonction avec circonspection en présence d'objets très lumineux pour éviter qu'une hyperluminosité ou un trînage d'image se produisent.

Si la caméra vidéo de surveillance est dirigée vers le soleil ou vers une source très lumineuse tel qu'un faisceau laser pendant un long moment, ceci risque d'endommager définitivement l'analyseur d'image à dispositif de transfert de charges ou endommagé (apparition de points blancs ou noirs) sur l'image.



-37-

FICHE TECHNIQUE

Analyseur d'image:	Analyseur d'image à dispositif de transfert de charges de 1/2 pouce, 752(H) x 582(V) éléments d'image
Système de balayage:	Entrelacé 2:1
Balayage:	625 lignes/50 trames/25 images
Horizontal:	15,625 kHz
Vertical:	50 Hz
Résolution horizontale:	480 lignes
Sortie vidéo:	Signal vidéo composite PAL 1,0 Vcc, 75 ohms/par connecteur BNC
Rapport signal-sur-bruit:	50 dB (contrôle automatique de gain hors service)
Contrôle électronique de lumière:	Équivalent à une vitesse d'obturation variable continue entre 1/50 sec. et 1/15 600 sec.
Éclairage minimum:	3 lux à f/1,4 (contrôle automatique de gain en service)
Balance des blancs:	Modes AWC/ATW commutable
Compensation de contre-jour:	Commutable en service/hors service
Système de synchronisation:	Interne
Ouverture:	Commutable sur enveloppé/net
Contrôle automatique de gain:	Commutable en service/hors service
Limites de température ambiante:	-10° C - +50° C.
Source d'alimentation:	Courant continu de 10,8 - 16 V, 300mA
Encombrement (Objectif non compris):	67(L) x 55(H) x 123(P) mm
Poids (Objectif non compris):	460 g

Les poids et dimensions indiqués sont approximatifs.
Sous réserve de modification des renseignements techniques sans préavis.

-38-

Matsushita Electric Industrial Co., Ltd.

Central P.O. Box 288, Osaka 530-91, Japan

N0195-0 YWV8QA3483AN
Ⓝ 13

Printed in Japan
Gedruckt in Japan
Imprimé au Japon



Artisan Technology Group is your source for quality new and certified-used/pre-owned equipment

- FAST SHIPPING AND DELIVERY
- TENS OF THOUSANDS OF IN-STOCK ITEMS
- EQUIPMENT DEMOS
- HUNDREDS OF MANUFACTURERS SUPPORTED
- LEASING/MONTHLY RENTALS
- ITAR CERTIFIED SECURE ASSET SOLUTIONS

SERVICE CENTER REPAIRS

Experienced engineers and technicians on staff at our full-service, in-house repair center

*InstraView*SM REMOTE INSPECTION

Remotely inspect equipment before purchasing with our interactive website at www.instraview.com ↗

WE BUY USED EQUIPMENT

Sell your excess, underutilized, and idle used equipment. We also offer credit for buy-backs and trade-ins. www.artisanng.com/WeBuyEquipment ↗

LOOKING FOR MORE INFORMATION?

Visit us on the web at www.artisanng.com ↗ for more information on price quotations, drivers, technical specifications, manuals, and documentation

Contact us: (888) 88-SOURCE | sales@artisanng.com | www.artisanng.com