



Artisan Technology Group is your source for quality new and certified-used/pre-owned equipment

- FAST SHIPPING AND DELIVERY
- TENS OF THOUSANDS OF IN-STOCK ITEMS
- EQUIPMENT DEMOS
- HUNDREDS OF MANUFACTURERS SUPPORTED
- LEASING/MONTHLY RENTALS
- ITAR CERTIFIED SECURE ASSET SOLUTIONS

SERVICE CENTER REPAIRS

Experienced engineers and technicians on staff at our full-service, in-house repair center

*InstraView*SM REMOTE INSPECTION

Remotely inspect equipment before purchasing with our interactive website at www.instraview.com ↗

WE BUY USED EQUIPMENT

Sell your excess, underutilized, and idle used equipment. We also offer credit for buy-backs and trade-ins. www.artisanng.com/WeBuyEquipment ↗

LOOKING FOR MORE INFORMATION?

Visit us on the web at www.artisanng.com ↗ for more information on price quotations, drivers, technical specifications, manuals, and documentation

Contact us: (888) 88-SOURCE | sales@artisanng.com | www.artisanng.com

The V285 is a single-width, C-size, register-based, VXIbus module that is a 16-bit, precision, arbitrary waveform generator.

It includes a DAC per channel and is capable of update rates to 500 kHz per channel.

APPLICATIONS

Satellite testing
Missile target simulation
Hardware-in-the-loop simulation
Signal synthesis

V285 8 or 16-channel, 16-bit, 500 kHz DAC/Waveform Generator



A high-resolution multichannel arbitrary waveform generator

FEATURES

- 16-bit DAC per channel
- Built-in calibration and self-test
- 10 kHz or 100 kHz programmable, 4-pole, Bessel filter per channel
- 1 or 4 Mbyte waveform memory option with single shot or continuous modes
- Optional Digi-bus™ interface
- Simultaneous update of all channels
- Programmable clock from 100 Hz to 500kHz in 1, 2, 5,.. progression
- Arbitrary waveform generation capability using LabVIEW

GENERAL DESCRIPTION

The V285 is a single-width, C-size, register-based, VXIbus module that is a 16-bit, precision, arbitrary waveform generator. It includes a DAC per channel and is capable of update rates to 500 kHz per channel. Each analog channel includes a 4-pole, Bessel filter with programmable cutoff frequencies of 10 kHz and 100 kHz. A 16-bit ADC/multiplexer allows all channels to be automatically tested and calibrated.

The V285 Waveform Generator optionally includes either a 1 Mbyte or 4 Mbyte RAM memory. This memory may be configured either for multibuffer operation, in which data is continuously updated via the VXIbus, or it may be preloaded with waveforms. These waveforms may be continuously output (in recirculate mode) or output once per trigger (in one-shot mode).

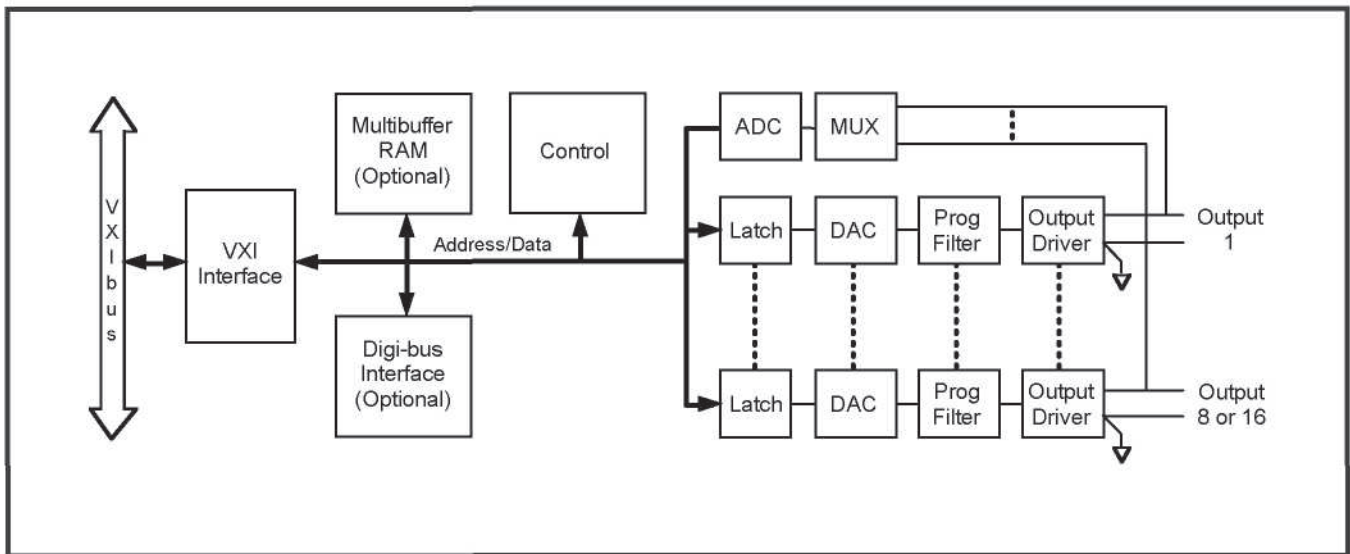
The waveform generator can also be loaded one sample at a time via a set of addressable VXIbus registers (one per DAC channel). The register contents are clocked into the DAC synchronously with the sample clock.

Alternatively, the waveform generator can accept the waveform data over Digi-bus™. Digi-bus data is selected from a “data frame” and stored in a set of holding registers, one for each DAC channel. At the next sample clock or start of Digi-bus frame, the data is strobed from the registers into the respective DACs. This allows the V285 data to be accepted directly from a DSP module such as the V165.

The waveform generator employs a sample clock to simultaneously update all channels. This clock can be selected to be an internal, crystal-controlled clock; a VXI trigger line; a Digi-bus start-of-frame; or an external, front-panel, user-supplied clock.

The V285 supports both static and dynamic configuration. It may be accessed using A32/A16, D32/D16 data transfers.

V285 Block Diagram



Item	Specification																																													
Number of Channels	8 or 16																																													
Output Signal Range	±10.24 V @ 25 mA (with calibration)																																													
Resolution	16 bits																																													
Linearity Error	±0.003% FSR																																													
Distortion	-96 dB max. THD																																													
Output Impedance	0.1 Ω																																													
Output Protection	Current limiting for short circuit to ground																																													
Output Connector Type	BNC for 8-channel option 50S High Density for 16-channel option																																													
Maximum Transfer Rates Digi-bus option Multi-buffer option	10 Mbyte/s 6.4 Mbyte/s																																													
Power Requirements	<table border="1"> <thead> <tr> <th></th> <th>ZA11</th> <th>ZB11</th> <th>ZC11</th> <th>ZD11</th> <th>ZA21</th> <th>ZB21</th> <th>ZC21</th> <th>ZD21</th> </tr> </thead> <tbody> <tr> <td>+5V</td> <td>5.0 A</td> <td>6.0 A</td> <td>6.0 A</td> <td>6.0 A</td> <td>6.0A</td> <td>7.0 A</td> <td>7.0 A</td> <td>7.0 A</td> </tr> <tr> <td>-5.2 V</td> <td>215 mA</td> <td>215 mA</td> <td>215 mA</td> <td>215 mA</td> <td>420 mA</td> <td>420 mA</td> <td>420 mA</td> <td>420 mA</td> </tr> <tr> <td>+24 V</td> <td>280 mA</td> <td>280 mA</td> <td>280 mA</td> <td>280 mA</td> <td>550 mA</td> <td>550 mA</td> <td>550 mA</td> <td>550 mA</td> </tr> <tr> <td>-24 V</td> <td>240 mA</td> <td>240 mA</td> <td>240 mA</td> <td>240 mA</td> <td>475 mA</td> <td>475 mA</td> <td>475 mA</td> <td>475 mA</td> </tr> </tbody> </table>		ZA11	ZB11	ZC11	ZD11	ZA21	ZB21	ZC21	ZD21	+5V	5.0 A	6.0 A	6.0 A	6.0 A	6.0A	7.0 A	7.0 A	7.0 A	-5.2 V	215 mA	215 mA	215 mA	215 mA	420 mA	420 mA	420 mA	420 mA	+24 V	280 mA	280 mA	280 mA	280 mA	550 mA	550 mA	550 mA	550 mA	-24 V	240 mA	240 mA	240 mA	240 mA	475 mA	475 mA	475 mA	475 mA
	ZA11	ZB11	ZC11	ZD11	ZA21	ZB21	ZC21	ZD21																																						
+5V	5.0 A	6.0 A	6.0 A	6.0 A	6.0A	7.0 A	7.0 A	7.0 A																																						
-5.2 V	215 mA	215 mA	215 mA	215 mA	420 mA	420 mA	420 mA	420 mA																																						
+24 V	280 mA	280 mA	280 mA	280 mA	550 mA	550 mA	550 mA	550 mA																																						
-24 V	240 mA	240 mA	240 mA	240 mA	475 mA	475 mA	475 mA	475 mA																																						
Environmental and Mechanical	<table border="1"> <tbody> <tr> <td>Temperature range</td> <td>0°C to 50°C</td> </tr> <tr> <td>Operational</td> <td>-25°C to +75°C</td> </tr> <tr> <td>Storage</td> <td>-25°C to +75°C</td> </tr> <tr> <td>Relative humidity</td> <td>0 to 85%, non-condensing to 40°C</td> </tr> <tr> <td>Cooling requirements</td> <td>10 CFM</td> </tr> <tr> <td>Dimensions</td> <td>340 mm x 233.35 mm x 30.48 mm (C-size VXIbus)</td> </tr> <tr> <td>Front-panel potential</td> <td>Chassis ground</td> </tr> </tbody> </table>	Temperature range	0°C to 50°C	Operational	-25°C to +75°C	Storage	-25°C to +75°C	Relative humidity	0 to 85%, non-condensing to 40°C	Cooling requirements	10 CFM	Dimensions	340 mm x 233.35 mm x 30.48 mm (C-size VXIbus)	Front-panel potential	Chassis ground																															
Temperature range	0°C to 50°C																																													
Operational	-25°C to +75°C																																													
Storage	-25°C to +75°C																																													
Relative humidity	0 to 85%, non-condensing to 40°C																																													
Cooling requirements	10 CFM																																													
Dimensions	340 mm x 233.35 mm x 30.48 mm (C-size VXIbus)																																													
Front-panel potential	Chassis ground																																													

RELATED PRODUCTS

- Model 5819-Axyz Cable—50P High Density to Unterminated
- Model 5819-Cxyz Cable—50P High Density to 50S Amphenol Ribbon
- Model 5819-Exyz Cable—50P High Density to 50P High Density (V285 to V765)
- Model 5819-Fxyz Cable—50S High Density to 50P High Density
- Model V754-ZA11 Termination Assembly for V285
- Model V765-ZA11 Rack-mount Termination Panel

ORDERING INFORMATION

MODEL	DESCRIPTION
V285-ZA11	8-channel, 16-bit, 500 kHz DAC/Waveform Generator
V285-ZC11	8-channel, 16-bit, 500 kHz DAC/Waveform Generator with Digi-bus
V285-ZD11	8-channel, 16-bit, 500 kHz DAC/Waveform Generator with 4 Mbyte RAM
V285-ZA21	16-channel, 16-bit, 500 kHz DAC/Waveform Generator
V285-ZC21	16-channel, 16-bit, 500 kHz DAC/Waveform Generator with Digi-bus
V285-ZD21	16-channel, 16-bit, 500 kHz DAC/Waveform Generator with 4 Mbyte RAM
V285-0001	Digi-bus Factory Upgrade
V285-0002	1 Mbyte Buffer Factory Upgrade
V285-0003	4 Mbyte Buffer Factory Upgrade

Updated October 24, 2005

Copyright © 2006 DynamicSignals, LLC. All rights reserved.

900 N. State St.
Lockport, IL 60441-2200

Toll-Free (US and Canada):

phone 1-800-DATA NOW
1-800-328-2669

Direct:

phone +1-815-838-0005
fax +1-815-838-4424

Email:

mkt-info@kscorp.com

To find your local sales representative or distributor or to learn more about KineticSystems' products visit:

www.kscorp.com



Artisan Technology Group is your source for quality new and certified-used/pre-owned equipment

- FAST SHIPPING AND DELIVERY
- TENS OF THOUSANDS OF IN-STOCK ITEMS
- EQUIPMENT DEMOS
- HUNDREDS OF MANUFACTURERS SUPPORTED
- LEASING/MONTHLY RENTALS
- ITAR CERTIFIED SECURE ASSET SOLUTIONS

SERVICE CENTER REPAIRS

Experienced engineers and technicians on staff at our full-service, in-house repair center

*InstraView*SM REMOTE INSPECTION

Remotely inspect equipment before purchasing with our interactive website at www.instraview.com ↗

WE BUY USED EQUIPMENT

Sell your excess, underutilized, and idle used equipment. We also offer credit for buy-backs and trade-ins. www.artisanng.com/WeBuyEquipment ↗

LOOKING FOR MORE INFORMATION?

Visit us on the web at www.artisanng.com ↗ for more information on price quotations, drivers, technical specifications, manuals, and documentation

Contact us: (888) 88-SOURCE | sales@artisanng.com | www.artisanng.com