



## Artisan Technology Group is your source for quality new and certified-used/pre-owned equipment

- FAST SHIPPING AND DELIVERY
- TENS OF THOUSANDS OF IN-STOCK ITEMS
- EQUIPMENT DEMOS
- HUNDREDS OF MANUFACTURERS SUPPORTED
- LEASING/MONTHLY RENTALS
- ITAR CERTIFIED SECURE ASSET SOLUTIONS

### SERVICE CENTER REPAIRS

Experienced engineers and technicians on staff at our full-service, in-house repair center

### *InstraView*<sup>SM</sup> REMOTE INSPECTION

Remotely inspect equipment before purchasing with our interactive website at [www.instraview.com](http://www.instraview.com) ↗

### WE BUY USED EQUIPMENT

Sell your excess, underutilized, and idle used equipment. We also offer credit for buy-backs and trade-ins. [www.artisanng.com/WeBuyEquipment](http://www.artisanng.com/WeBuyEquipment) ↗

### LOOKING FOR MORE INFORMATION?

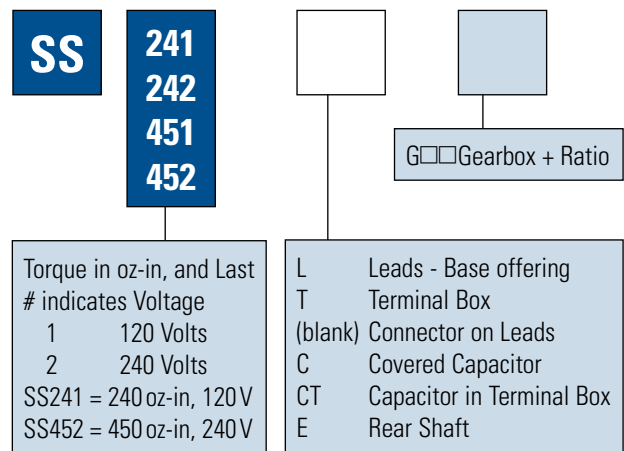
Visit us on the web at [www.artisanng.com](http://www.artisanng.com) ↗ for more information on price quotations, drivers, technical specifications, manuals, and documentation

**Contact us:** (888) 88-SOURCE | [sales@artisanng.com](mailto:sales@artisanng.com) | [www.artisanng.com](http://www.artisanng.com)

**SS240,SS450 Series 90mm Frame Size (NEMA Sizes 23, 34, 42)**



- Motor torque up to 450 oz-in (1059 N-cm)
- 72 RPM @ 60 Hz - 60 RPM @ 50 Hz
- 120 and 240 volt AC versions
- Needs only a capacitor to operate from single-phase power
- Available with integral capacitor for single phase operation
- Operates directly from three-phase power
- Leaded, connector or terminal box connections
- Planetary gearboxes available – See pages 18 and 20



**120 Volt, 60 Hz, Single Phase, 72 RPM**

* Type Number	voltage	Torque (min)		# Load Inertia		amps	Wiring Diagram	Phase Shifting Capacitor (250 VAC)	
		oz-in	N-cm	lb-in <sup>2</sup>	kg-cm <sup>2</sup>			Kit Number	μF
SS241□	120	240	169	2.5	7	0.40	C	201053-037	7.5
SS451□	120	450	318	5.5	16	0.80	C	201053-042	14

**240 Volt, 60 Hz, Single Phase, 72 RPM**

* Type Number	voltage	Torque (min)		# Load Inertia		amps	Wiring Diagram	Phase Shifting Capacitor (250 VAC)	
		oz-in	N-cm	lb-in <sup>2</sup>	kg-cm <sup>2</sup>			Kit Number	μF
SS242□	208/240	240	169	2.5	7	0.20	C	201053-038	2
SS452□	208/240	450	318	7.5	22	0.30	C	201053-044	3

**240 Volt, 50 Hz, Single Phase, 60 RPM**

* Type Number	voltage	Torque (min)		# Load Inertia		amps	Wiring Diagram	Phase Shifting Capacitor (250 VAC)	
		oz-in	N-cm	lb-in <sup>2</sup>	kg-cm <sup>2</sup>			Kit Number	μF
SS242□	240	240	169	1	3	0.20	C	201053-038	2
SS242□	220	240	169	1	3	0.20	C	201053-041	2.5
SS452□	220/240	450	318	2	6	0.30	C	201053-061	4

## SS240, SS450 (Continued)

### Three Phase, 208 - 240 Volt, 60 Hz, 72 RPM

* Type Number	voltage	Torque (min)		# Load Inertia		amps	Wiring Diagram
		oz-in	N-cm	lb-in <sup>2</sup>	kg-cm <sup>2</sup>		
SS242□	208/240	250	177	2.5	7	0.20	3 Ø
SS452□	208	475	335	4.5	13	0.30	3 Ø

### Three Phase, 208 Volt, 50 Hz, 60 RPM

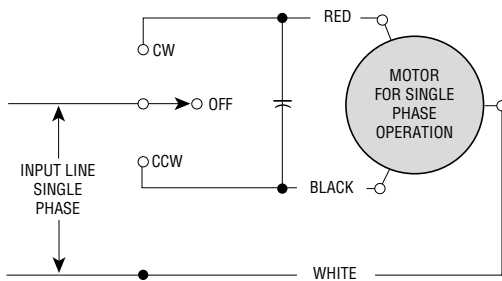
* Type Number	voltage	Torque (min)		# Load Inertia		amps	Wiring Diagram
		oz-in	N-cm	lb-in <sup>2</sup>	kg-cm <sup>2</sup>		
SS242□	208	250	177	4	12	0.20	3 Ø
SS452□	208	475	335	4.5	13	0.30	3 Ø

## Connection Diagrams

### Terminations

Lead Color	Connector Motor	Terminal Box Motor
Red	Pin # 7	Terminal # 1
Black	Pin # 6	Terminal # 3
White	Pin # 2	Terminal # 2

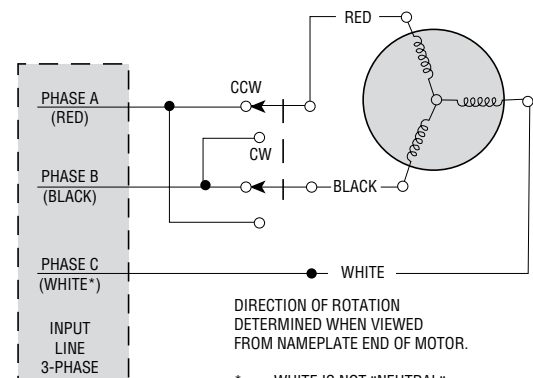
### C Connection



DIRECTION OF ROTATION DETERMINED WHEN VIEWED FROM NAMEPLATE END OF MOTOR.

### Single-Phase Operation

### 3 Ø Connection



DIRECTION OF ROTATION DETERMINED WHEN VIEWED FROM NAMEPLATE END OF MOTOR.

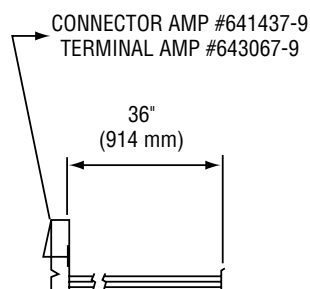
\* — WHITE IS NOT "NEUTRAL".

### Three-Phase Operation

## Mating Connector with Leads

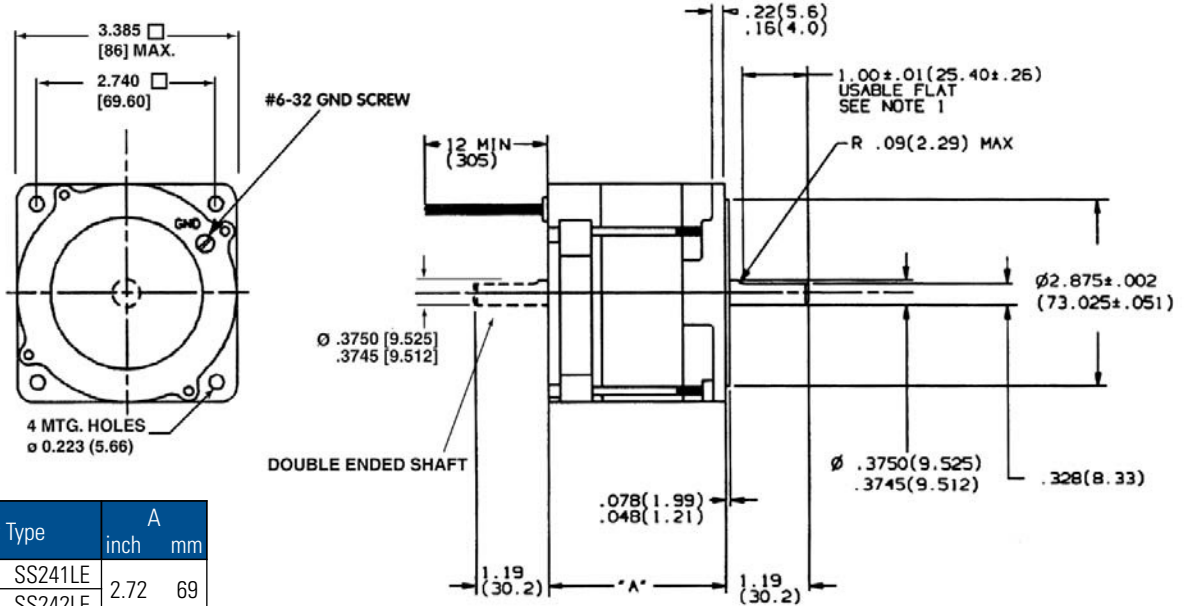
Part number 225505-001

Mating connectors with 36" (914mm) long leads are available for making connections to motors that have connectors.



## SS240, SS450 (Continued)

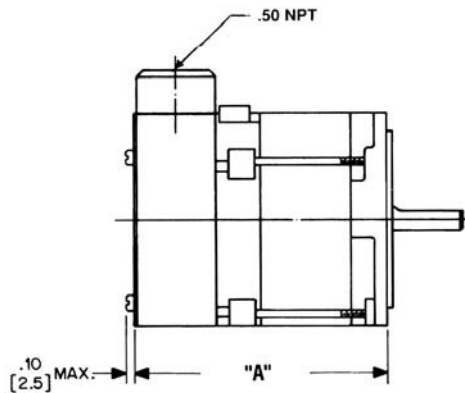
### Leaded Motor



Motor Type	A	inch	mm
SS241L SS241LE	2.72	69	
SS242L SS242LE	4.32	110	

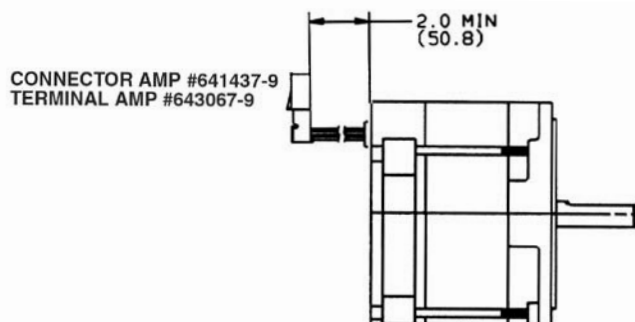
### Terminal Box

Motor Type	A	inch	mm
SS241T SS242T	4.05	103	
SS451T SS452T	5.65	144	



### Connector

Motor Type	Connector	Terminal
SS241	SS241E	
SS242	SS242E	
SS451	SS451E	
SS452	SS452E	

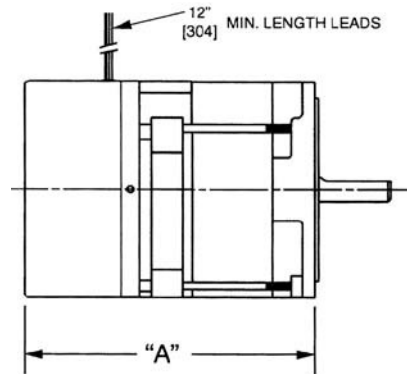


Dimensions are shown in inches (mm)

## SS240, SS450 (Continued)

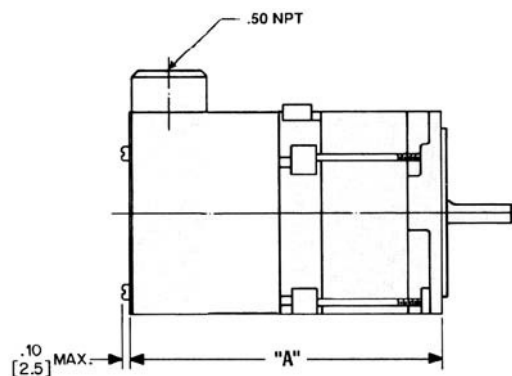
### Covered Capacitor

Motor Type	A	
	inch	mm
SS241C	4.69	119
SS242C		
SS451C	6.29	160
SS452C		



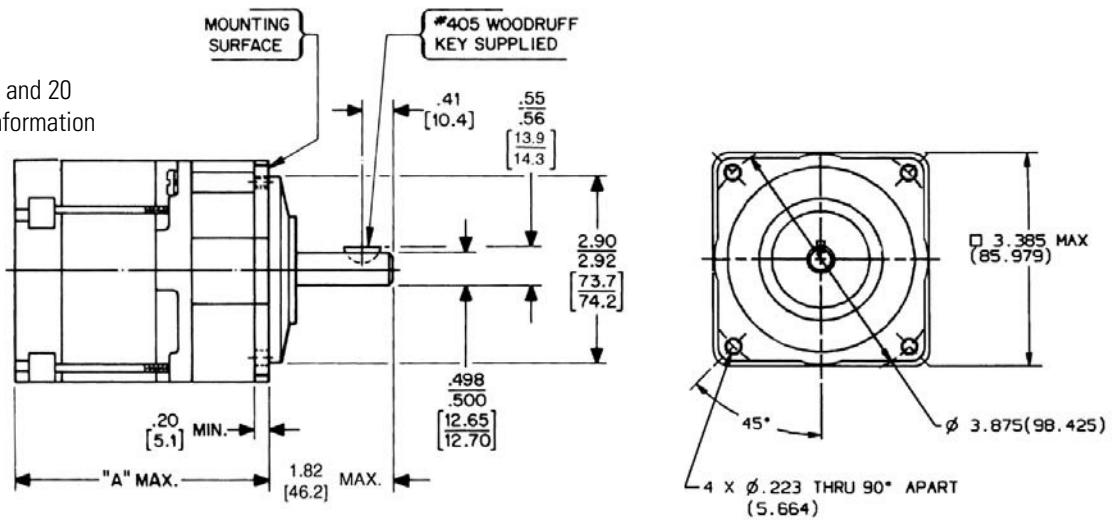
### Capacitor in Terminal Box

Motor Type	A	
	inch	mm
SS241CT	5.48	139
SS242CT		
SS451CT	7.08	180
SS452CT		



### Gearmotors

See pages 18 and 20 for gearbox information



Motor Series	Gearbox Ratio	B		Leaded & Connector Motors				Terminal Box Motors				Covered Capacitor Motors		Capacitor in Terminal Box Motors		
				Leaded Motors	Connector Motors	A		Motor Type	A		Motor Type	A		Motor Type	B	
		inch	mm			inch	mm		inch	mm		inch	mm		inch	mm
SS240	3:1 thru 5:1	1.19	30.2	SS241LG□□ SS242LG□□	SS241G□□ SS242G□□	3.91	99	SS241TG□□ SS242TG□□	5.24	133	SS241CG□□ SS242CG□□	5.88	149	SS241CTG□□ SS242CTG□□	6.67	169
	9:1 thru 25:1	1.81	46.0			4.53	115		5.86	149		6.50	165		7.29	185
	27:1 thru	2.38	60.5			5.10	130		6.43	163		7.07	180		7.86	200
SS450	3:1 thru 5:1	1.19	30.2	SS451LG□□ SS452LG□□	SS451G□□ SS452G□□	5.51	140	SS451TG□□ SS452TG□□	6.84	174	SS451CG□□ SS452CG□□	7.48	190	SS451CTG□□ SS452CTG□□	8.27	210
	9:1 thru 25:1	1.81	46.0			6.13	156		7.46	189		8.10	206		8.89	226
	27:1 thru 125:1	2.38	60.5			6.70	170		8.03	204		8.67	220		9.46	240

Dimensions are shown in inches (mm)



## Artisan Technology Group is your source for quality new and certified-used/pre-owned equipment

- FAST SHIPPING AND DELIVERY
- TENS OF THOUSANDS OF IN-STOCK ITEMS
- EQUIPMENT DEMOS
- HUNDREDS OF MANUFACTURERS SUPPORTED
- LEASING/MONTHLY RENTALS
- ITAR CERTIFIED SECURE ASSET SOLUTIONS

### SERVICE CENTER REPAIRS

Experienced engineers and technicians on staff at our full-service, in-house repair center

### *InstraView*<sup>SM</sup> REMOTE INSPECTION

Remotely inspect equipment before purchasing with our interactive website at [www.instraview.com](http://www.instraview.com) ↗

### WE BUY USED EQUIPMENT

Sell your excess, underutilized, and idle used equipment. We also offer credit for buy-backs and trade-ins. [www.artisanng.com/WeBuyEquipment](http://www.artisanng.com/WeBuyEquipment) ↗

### LOOKING FOR MORE INFORMATION?

Visit us on the web at [www.artisanng.com](http://www.artisanng.com) ↗ for more information on price quotations, drivers, technical specifications, manuals, and documentation

**Contact us:** (888) 88-SOURCE | [sales@artisanng.com](mailto:sales@artisanng.com) | [www.artisanng.com](http://www.artisanng.com)