



## Artisan Technology Group is your source for quality new and certified-used/pre-owned equipment

- FAST SHIPPING AND DELIVERY
- TENS OF THOUSANDS OF IN-STOCK ITEMS
- EQUIPMENT DEMOS
- HUNDREDS OF MANUFACTURERS SUPPORTED
- LEASING/MONTHLY RENTALS
- ITAR CERTIFIED SECURE ASSET SOLUTIONS

### SERVICE CENTER REPAIRS

Experienced engineers and technicians on staff at our full-service, in-house repair center

### *InstraView*<sup>SM</sup> REMOTE INSPECTION

Remotely inspect equipment before purchasing with our interactive website at [www.instraview.com](http://www.instraview.com) ↗

### WE BUY USED EQUIPMENT

Sell your excess, underutilized, and idle used equipment. We also offer credit for buy-backs and trade-ins. [www.artisanng.com/WeBuyEquipment](http://www.artisanng.com/WeBuyEquipment) ↗

### LOOKING FOR MORE INFORMATION?

Visit us on the web at [www.artisanng.com](http://www.artisanng.com) ↗ for more information on price quotations, drivers, technical specifications, manuals, and documentation

**Contact us:** (888) 88-SOURCE | [sales@artisanng.com](mailto:sales@artisanng.com) | [www.artisanng.com](http://www.artisanng.com)

## Introduction

This document contains information necessary to successfully install your hardware.

**WARNING** The STP-3140 is not intended for use in circuits carrying voltages in excess of those for which the inputs of Model KPCI-3140 is rated, typically  $\pm 10V$ . Refer to the KPCI-3140 User's Manual for additional limits.

## Installation

As described in the International Electrotechnical Commission (IEC) Standard IEC 664, the signal terminals are Installation Category I and must not be connected to mains.

Refer to the KPCI-3140 User's Manual for more information on attaching the STP-3140 screw terminal accessory.

## Screw terminals assignments

Table 1

*Screw terminal assignments on the STP-3140 screw terminal panel*

TB #	J1 Pin #	Signal description	TB #	J1 Pin #	Signal description
1	68	Digital Ground	2	67	C/T Clock Input 0
3	66	C/T Clock Output 0	4	65	C/T Gate Input 0
5	34	Digital Ground	6	33	C/T Clock Input 1
7	32	C/T Clock Output 1	8	31	C/T Gate Input 1
9	64	C/T Gate Input 2	10	63	C/T Clock Output 2
11	62	C/T Clock Input 2	12	61	Digital Ground
13	30	C/T Gate Input 3	14	29	C/T Clock Output 3
15	28	C/T Clock Input 3	16	27	Digital Ground
17	42	Digital Ground	18	41	C/T Clock Input 4
19	40	C/T Clock Output 4	20	39	C/T Gate Input 4
21	8	Digital Ground	22	7	C/T Clock Input 5
23	6	C/T Clock Output 5	24	5	C/T Gate Input 5
25	38	C/T Gate Input 6	26	37	C/T Clock Output 6
27	36	C/T Clock Input 6	28	35	Power Ground

Table 1 (cont.)

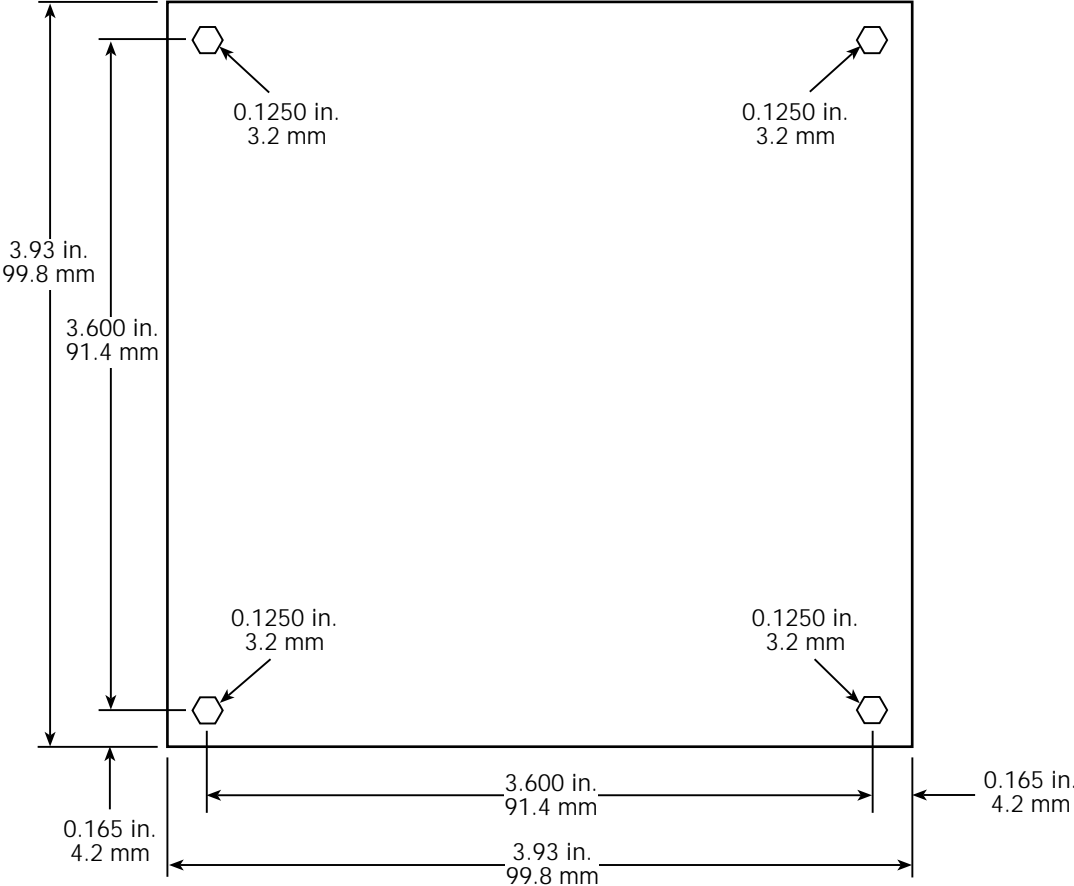
**Screw terminal assignments on the STP-3140 screw terminal panel**

<b>TB #</b>	<b>J1 Pin #</b>	<b>Signal description</b>	<b>TB #</b>	<b>J1 Pin #</b>	<b>Signal description</b>
29	4	C/T Gate Input 7	30	3	C/T Clock Output 7
31	2	C/T Clock Input 7	32	1	+5V Output
33	-	Shield	34	60	Digital I/O Port A, Line 0
35	26	Digital I/O Port A, Line 1	36	59	Digital I/O Port A, Line 2
37	25	Digital I/O Port A, Line 3	38	58	Digital I/O Port A, Line 4
39	24	Digital I/O Port A, Line 5	40	57	Digital I/O Port A, Line 6
41	23	Digital I/O Port A, Line 7	42	56	Digital Ground
43	-	Shield	44	55	Digital I/O Port B, Line 0
45	21	Digital I/O Port B, Line 1	46	54	Digital I/O Port B, Line 2
47	20	Digital I/O Port B, Line 3	48	53	Digital I/O Port B, Line 4
49	19	Digital I/O Port B, Line 5	50	52	Digital I/O Port B, Line 6
51	18	Digital I/O Port B, Line 7	52	22	Digital Ground
53	-	Shield	54	51	Digital I/O Port C, Line 0
55	17	Digital I/O Port C, Line 1	56	50	Digital I/O Port C, Line 2
57	16	Digital I/O Port C, Line 3	58	49	Digital I/O Port C, Line 4
59	15	Digital I/O Port C, Line 5	60	48	Digital I/O Port C, Line 6
61	14	Digital I/O Port C, Line 7	62	47	Digital Ground
63	-	Shield	64	46	Digital I/O Port D, Line 0
65	12	Digital I/O Port D, Line 1	66	45	Digital I/O Port D, Line 2
67	11	Digital I/O Port D, Line 3	68	44	Digital I/O Port D, Line 4
69	10	Digital I/O Port D, Line 5	70	43	Digital I/O Port D, Line 6
71	9	Digital I/O Port D, Line 7	72	13	Digital Ground

The STP-3140 connects to the KPCI-3140 using a Keithley cable (part number CAB-305).

# Dimensions

Figure 1  
Mounting dimensions (not to scale)







## Artisan Technology Group is your source for quality new and certified-used/pre-owned equipment

- FAST SHIPPING AND DELIVERY
- TENS OF THOUSANDS OF IN-STOCK ITEMS
- EQUIPMENT DEMOS
- HUNDREDS OF MANUFACTURERS SUPPORTED
- LEASING/MONTHLY RENTALS
- ITAR CERTIFIED SECURE ASSET SOLUTIONS

### SERVICE CENTER REPAIRS

Experienced engineers and technicians on staff at our full-service, in-house repair center

### *InstraView*<sup>SM</sup> REMOTE INSPECTION

Remotely inspect equipment before purchasing with our interactive website at [www.instraview.com](http://www.instraview.com) ↗

### WE BUY USED EQUIPMENT

Sell your excess, underutilized, and idle used equipment. We also offer credit for buy-backs and trade-ins. [www.artisanng.com/WeBuyEquipment](http://www.artisanng.com/WeBuyEquipment) ↗

### LOOKING FOR MORE INFORMATION?

Visit us on the web at [www.artisanng.com](http://www.artisanng.com) ↗ for more information on price quotations, drivers, technical specifications, manuals, and documentation

**Contact us:** (888) 88-SOURCE | [sales@artisanng.com](mailto:sales@artisanng.com) | [www.artisanng.com](http://www.artisanng.com)