



## Artisan Technology Group is your source for quality new and certified-used/pre-owned equipment

- FAST SHIPPING AND DELIVERY
- TENS OF THOUSANDS OF IN-STOCK ITEMS
- EQUIPMENT DEMOS
- HUNDREDS OF MANUFACTURERS SUPPORTED
- LEASING/MONTHLY RENTALS
- ITAR CERTIFIED SECURE ASSET SOLUTIONS

### SERVICE CENTER REPAIRS

Experienced engineers and technicians on staff at our full-service, in-house repair center

### *InstraView*<sup>SM</sup> REMOTE INSPECTION

Remotely inspect equipment before purchasing with our interactive website at [www.instraview.com](http://www.instraview.com) ↗

### WE BUY USED EQUIPMENT

Sell your excess, underutilized, and idle used equipment. We also offer credit for buy-backs and trade-ins. [www.artisanng.com/WeBuyEquipment](http://www.artisanng.com/WeBuyEquipment) ↗

### LOOKING FOR MORE INFORMATION?

Visit us on the web at [www.artisanng.com](http://www.artisanng.com) ↗ for more information on price quotations, drivers, technical specifications, manuals, and documentation

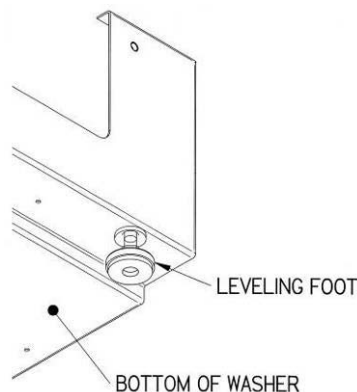
**Contact us:** (888) 88-SOURCE | [sales@artisanng.com](mailto:sales@artisanng.com) | [www.artisanng.com](http://www.artisanng.com)

# LABCONCO Glassware Washer *Quick Guide to Installation*

*Please note: This Quick Guide to Installation may not provide all the information necessary for your particular installation. Refer to the Instruction Manual for details and important precautions.*

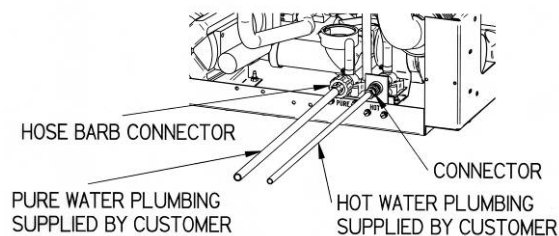
## 1. Installing the leveling feet or casters:

- Place the washer on its back and remove the four shipping bolts.
- Screw in the four leveling feet.



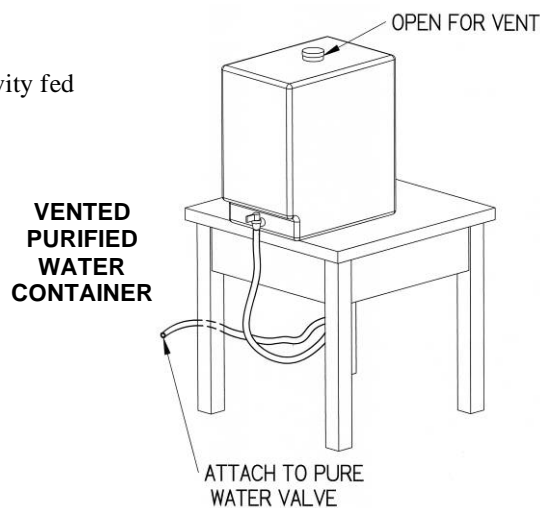
## 2. Hot Water Requirements:

- Hot water supply of 120°F (49°C) or higher.
- Pressure between 20-120 psig.
- Verify required flow rate of 1.25 gallons per minute (4.7 L/min).
- Connect hot water with 3/8" OD copper tube.
- Note: Install hot water inlet shutoff valve and an extra 3' diameter coil of copper tubing behind the washer to allow easy servicing.



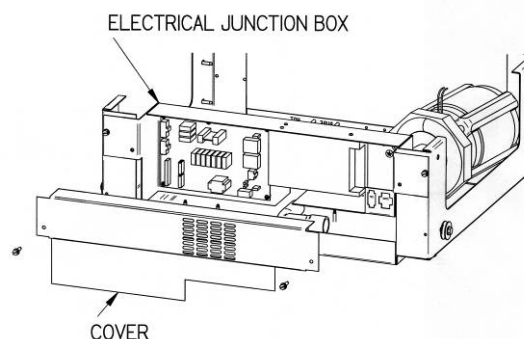
## 3. Purified Water Requirements:

- Washer may be connected to a pressurized purified water system **OR** gravity fed from a purified water storage container.
- Verify required flow rate of .90 gallons per minute (3.4 L/min).
- Each wash cycle requires a total of 3.4 gal. (13.0 L) per pure water rinse.
- Connect with a 3/8" ID tubing.



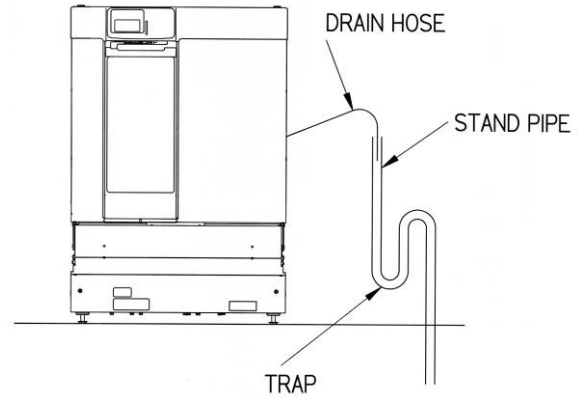
## 4. Electrical Requirements:

- 20 Amp circuit is required for 115V and 230V models.
- 115V models: Connect the supply wires to the black and white wires, using wire connectors.
- 230V models: Connect the supply wires to the brown and blue wires, using wire connectors.
- Connect the ground wire to the green screw.



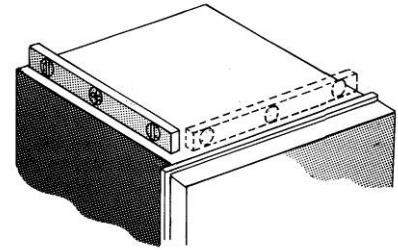
## 5. Drain Requirements:

- The use of an air gap (ordered separately from your plumbing supplier) or a stand pipe in the drain line is recommended for all installation. An alternate method using a stand pipe is shown.
- Connect to the building drainpipe and secure with a clamp.



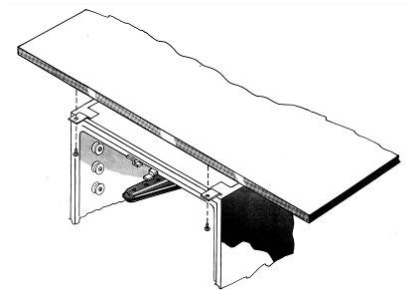
## 6. Leveling the Washer & Adjusting the Door:

- In washer's final location, check to ensure it is reasonably level.
- **NOTE:** *If the washer door is not centered in the opening, center the door by adjusting the front leveling feet.*



## 7. Attaching Undercounter Washers to Countertop:

- Install two screws through the holes in the top clips, securing the unit to the countertop. This will keep the washer stable in the event too much weight is placed on the door or racks.



## 8. Test:

- Turn on electrical power, hot water and purified water sources.
- To test the systems, run the diagnostics, (see Instruction Manual). Hold in the ▲ button while closing the door latch. Select the function with the ▼ button. Turn function on or off with ◀ and ▶ buttons. Monitor the operation of the various components.
- Check all tubing connections for leaks.



Labconco Corporation • 8811 Prospect Avenue • Kansas City, MO 64132-2696  
800-522-7658 • 816-333-8811 • Fax 816-822-3785 • E-mail: labconco@labconco.com • Web: www.labconco.com



## Artisan Technology Group is your source for quality new and certified-used/pre-owned equipment

- FAST SHIPPING AND DELIVERY
- TENS OF THOUSANDS OF IN-STOCK ITEMS
- EQUIPMENT DEMOS
- HUNDREDS OF MANUFACTURERS SUPPORTED
- LEASING/MONTHLY RENTALS
- ITAR CERTIFIED SECURE ASSET SOLUTIONS

### SERVICE CENTER REPAIRS

Experienced engineers and technicians on staff at our full-service, in-house repair center

### *InstraView*<sup>SM</sup> REMOTE INSPECTION

Remotely inspect equipment before purchasing with our interactive website at [www.instraview.com](http://www.instraview.com) ↗

### WE BUY USED EQUIPMENT

Sell your excess, underutilized, and idle used equipment. We also offer credit for buy-backs and trade-ins. [www.artisanng.com/WeBuyEquipment](http://www.artisanng.com/WeBuyEquipment) ↗

### LOOKING FOR MORE INFORMATION?

Visit us on the web at [www.artisanng.com](http://www.artisanng.com) ↗ for more information on price quotations, drivers, technical specifications, manuals, and documentation

**Contact us:** (888) 88-SOURCE | [sales@artisanng.com](mailto:sales@artisanng.com) | [www.artisanng.com](http://www.artisanng.com)