



Artisan Technology Group is your source for quality new and certified-used/pre-owned equipment

- FAST SHIPPING AND DELIVERY
- TENS OF THOUSANDS OF IN-STOCK ITEMS
- EQUIPMENT DEMOS
- HUNDREDS OF MANUFACTURERS SUPPORTED
- LEASING/MONTHLY RENTALS
- ITAR CERTIFIED SECURE ASSET SOLUTIONS

SERVICE CENTER REPAIRS

Experienced engineers and technicians on staff at our full-service, in-house repair center

*InstraView*SM REMOTE INSPECTION

Remotely inspect equipment before purchasing with our interactive website at www.instraview.com ↗

WE BUY USED EQUIPMENT

Sell your excess, underutilized, and idle used equipment. We also offer credit for buy-backs and trade-ins. www.artisanng.com/WeBuyEquipment ↗

LOOKING FOR MORE INFORMATION?

Visit us on the web at www.artisanng.com ↗ for more information on price quotations, drivers, technical specifications, manuals, and documentation

Contact us: (888) 88-SOURCE | sales@artisanng.com | www.artisanng.com

Products and Technologies

SS4000

Regenerative converter with PWM technique

Controllers

PSC7000

Drivers

VZ7000 AC

VZ7000 DC

Drive MuLti

Converters

SS4000

VZ7000 Converters

ForceSTAnd

Motors

Others

MSC9000

Download Catalogs

Download Product Manuals

Discontinued Products

Product Descriptions



In SS4000, the duty cycle is modulated such that the average voltage of the waveform corresponds to a pure sine wave. SS4000 allows bidirectional power exchange between AC mains and DC Bus. Also, it can be used as a power supply unit for a wide range of drives and inverters. Minimizing harmonics of the output by the use of automatic switching techniques, SS4000 provides a capacitive voltage balancing capability. It provides DC Bus pressure rising suppression and self diagnosis functions. It is perfectly reversible, considering safety, reliability, availability, cost effectiveness and environmental friendliness.

Product Characteristics

SS4000 provides the following features: • Continuous power regeneration • Control of reactive power • AC line currents with low harmonic distortion • Control of DC Bus voltage • Chopper type voltage transformer with Pulse Width Modulation (PWM) control techniques

Sinusoidal PWM Signal Generation

Fully synchronous with input power voltage phase. Input motoring rate is 0.95 or higher.

Energy Saving

Regenerative energy from inverter units can be continuously returned to power supply.

Harmonics Measurement

Restricts input power supply harmonics through the sinusoidal PWM signal generation and enhanced reactor and filter.

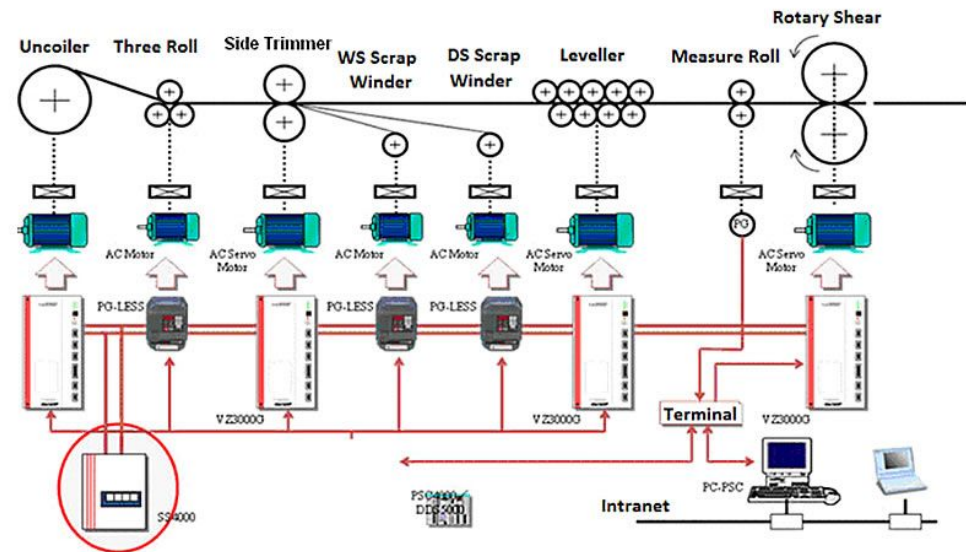
Protection Functions

Protects units from improper wiring, overload, overvoltage and missing phase. The user can monitor the behavior of the protection function, so it is helpful in the early detection of accidents or failures.

Easy and Simple

The user can easily display and monitor input current, input power supply voltage, DC bus voltage, power, loading factor, parameter settings, error code, error history and other important information by manipulating the keypad control panel. Easy and simple operation of the keypad control panel enables speedy and effective maintenance of the system and saves you time and stress.

System Configuration



SS4000 Specifications

Voltage class	AC200 '230V			AC400 '460V		
	Single	2 units	3 units	Single	2 units	3 units
Number of paralleled units	Single	2 units	3 units	Single	2 units	3 units
Model number	SS4218A	SS4218A SS4218AP	SS4218A SS4218AP SS4218AP	SS4437A	SS4437A SS4437AP	SS4437A SS4437AP SS4437AP
Motor Capacity(kW)	18.5	37	55	37	75	110
Power factor	0.95 or higher					
Carrier frequency(kHz)	5,10(standard),15					

Voltage(V)	350(standard)			700(standard)		
	Rated output voltage	64	128	192	64	128
Max. current(1min)	96	192	288	96	192	288
Protection	Overcurrent,overload,overvoltage,low voltage,phase loss					

[Home](#)
[About Reliance Electric](#)
[Solutions and Services](#)
[Products and Technologies](#)
[Contact Us](#)
[Link](#)
[Privacy Policy](#)
[Procurement Guidelines](#)
[Site Map](#)

Copyright©Reliance Electric Limited. All Rights Reserved.



Artisan Technology Group is your source for quality new and certified-used/pre-owned equipment

- FAST SHIPPING AND DELIVERY
- TENS OF THOUSANDS OF IN-STOCK ITEMS
- EQUIPMENT DEMOS
- HUNDREDS OF MANUFACTURERS SUPPORTED
- LEASING/MONTHLY RENTALS
- ITAR CERTIFIED SECURE ASSET SOLUTIONS

SERVICE CENTER REPAIRS

Experienced engineers and technicians on staff at our full-service, in-house repair center

*InstraView*SM REMOTE INSPECTION

Remotely inspect equipment before purchasing with our interactive website at www.instraview.com ↗

WE BUY USED EQUIPMENT

Sell your excess, underutilized, and idle used equipment. We also offer credit for buy-backs and trade-ins. www.artisanng.com/WeBuyEquipment ↗

LOOKING FOR MORE INFORMATION?

Visit us on the web at www.artisanng.com ↗ for more information on price quotations, drivers, technical specifications, manuals, and documentation

Contact us: (888) 88-SOURCE | sales@artisanng.com | www.artisanng.com