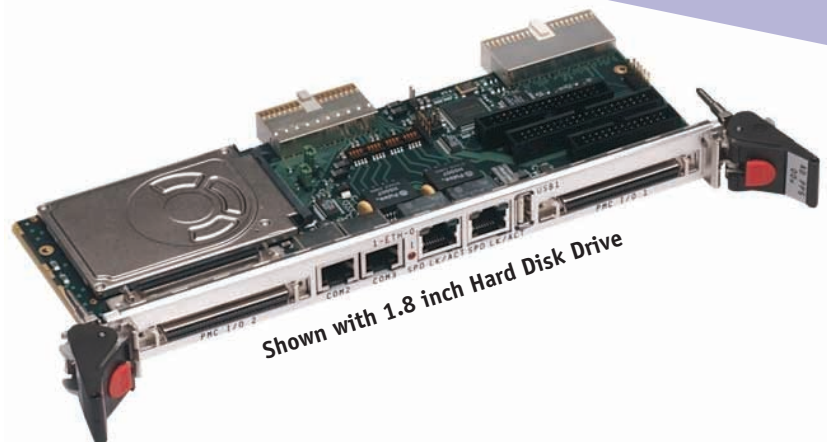


## Transition Module



Shown with 1.8 inch Hard Disk Drive

### APPLICATIONS

The AD PP5/001 is designed to be used with Concurrent Technologies' PP 310/01x and PP 312/01x CompactPCI® Processor boards. The Transition Module mounts in the rear transition area of the CompactPCI backplane and provides very simple access to the majority of the I/O functions provided on the processor board. Many I/O interfaces are accessed through the Transition Module's own front panel and the remainder from headers mounted on the Module.

### HIGHLIGHTS

- Transition Module for rear I/O:
  - 80mm depth as per CompactPCI specification
  - single slot
- Interfaces to CPCI via J3 and J5
- Dual 10/100/1000Mbps Ethernet via RJ45 connectors on Transition Module's front panel
- Floppy Disk interface via 34-way header
- EIDE interface via 40-way header
- Onboard CompactFlash™/IBM®/Hitachi Microdrive™ connector or 1.8 inch hard disk drive fitted:
  - supports up to Ultra-DMA 100
- PC speaker via 5-way header
- Parallel printer port interface (ECP, EPP and IEEE1284) via a 26-way header
- USB interface via USB connector on Transition Module's front panel
- 2 x RS232 serial ports via RJ45 connectors on Transition Module's front panel
- External reset, system fan monitor and general purpose user I/O via 12-way header
- 2 x PMC I/O via 68-way connectors on Transition Module's front panel (wiring compatible with Concurrent Technologies' SCSI PMC modules )

## Ethernet Interface

- two channels
- supports 10BaseT, 100BaseTx and 1000BaseT for UTP CAT5 via RJ45 connectors on front panel
- Ethernet signals are routed via transition module's front panel or via PICMG® 2.16 Packet Switching Backplane

## EIDE Interface

- supports Ultra-DMA 33 speeds via 40-way header
- option for CompactFlash/IBM Microdrive connector or 1.8 inch disk drive fitted

## Serial Interface

- RJ45 connectors for 2 x RS232 asynchronous serial ports:-
  - each channel supports TXD, RXD, RTS, CTS, DTR, DSR and DCD
- controlled via Low Pin Count (LPC) bus

## USB Interface

- 1 x USB channel accessed via USB connector on front panel

## Parallel Printer Port

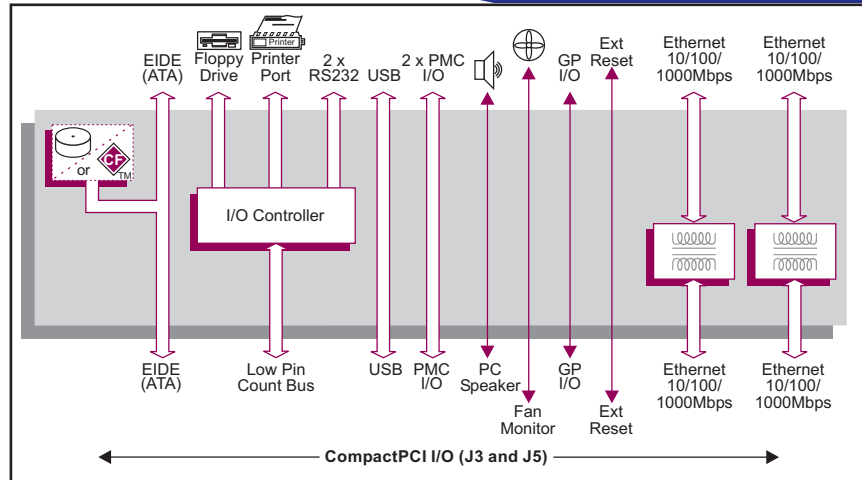
- via 26-way header on-board
- supports all common modes of operation (for example, EPP, ECP)
- controlled via (LPC) bus

## Floppy Disk Interface

- via 34-way header on board
- controlled via (LPC) bus

## PMC I/O

- 2 x 68-way high density D-type connectors on the front panel
- Vertical on-board 68-way high density D-type connector
- each connector provides 64-bits of I/O from one PMC site
- wiring compatible with Concurrent Technologies PMC SCSI modules



## Other Interfaces

- PC speaker via 5-way header
- 10-way header providing:-
  - system fan monitor
  - external reset
  - general purpose user I/O lines (GP I/O)

## Electrical Specification

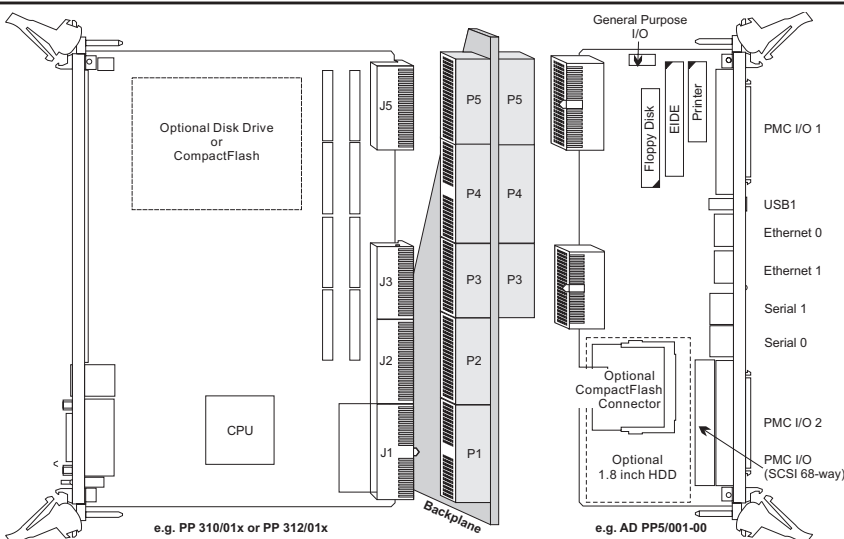
- all voltages to be within  $\pm 5\%$
- +5V@0.2A - quiescent current; +3.3V@0.2A

## Environmental Specification

- 0°C to +55°C (operating)
- 40°C to +70°C (storage)
- 10% to 90% Relative Humidity, non-condensing (operating)
- 10% to 90% Relative Humidity, non-condensing (storage)

## Mechanical Specification

- 6U form-factor: 9.2" x 3.2" (233.35mm x 80mm)
- single-slot: 0.8" (20.3mm)
- connectors: IEC-1076-4-101 for J3 and J5
- shock:
  - 20g, 11ms, 1/2 sine (operating);
  - 30g, 11ms, 1/2 sine (non-operating)
- vibration:
  - 5Hz-2000Hz at 2g, 0.38mm peak displacement (operating);
  - 5Hz-2000Hz at 5g, 0.76mm peak displacement (non-operating)



## ORDERING INFORMATION

### Order Number Product Description (Hardware)

- AD PP5/001-00 Transition Module with connector for CompactFlash/IBM Microdrive (use with PP 310/01x or PP 312/01x only)
- AD PP5/001-01 Transition Module including 1.8 inch Hard Disk Drive (use with PP 310/01x or PP 312/01x only)
- AD PP5/001-30 Transition Module with connector for CompactFlash/IBM Microdrive (use with PP 330/02x or PP 332/02x only)
- AD PP5/001-31 Transition Module including 1.8 inch Hard Disk Drive (use with PP 330/02x or PP 332/02x only)