



## Artisan Technology Group is your source for quality new and certified-used/pre-owned equipment

- FAST SHIPPING AND DELIVERY
- TENS OF THOUSANDS OF IN-STOCK ITEMS
- EQUIPMENT DEMOS
- HUNDREDS OF MANUFACTURERS SUPPORTED
- LEASING/MONTHLY RENTALS
- ITAR CERTIFIED SECURE ASSET SOLUTIONS

### SERVICE CENTER REPAIRS

Experienced engineers and technicians on staff at our full-service, in-house repair center

### *InstraView*<sup>SM</sup> REMOTE INSPECTION

Remotely inspect equipment before purchasing with our interactive website at [www.instraview.com](http://www.instraview.com) ↗

### WE BUY USED EQUIPMENT

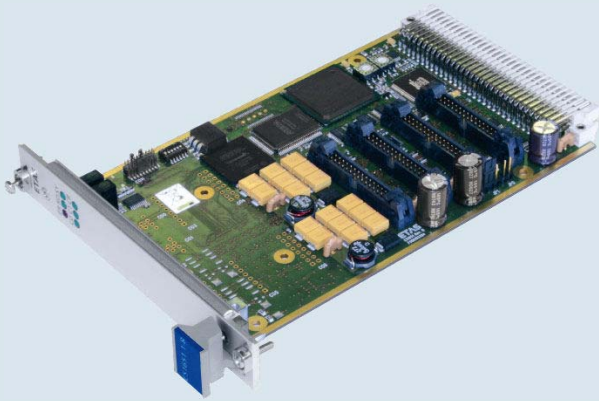
Sell your excess, underutilized, and idle used equipment. We also offer credit for buy-backs and trade-ins. [www.artisanng.com/WeBuyEquipment](http://www.artisanng.com/WeBuyEquipment) ↗

### LOOKING FOR MORE INFORMATION?

Visit us on the web at [www.artisanng.com](http://www.artisanng.com) ↗ for more information on price quotations, drivers, technical specifications, manuals, and documentation

**Contact us:** (888) 88-SOURCE | [sales@artisanng.com](mailto:sales@artisanng.com) | [www.artisanng.com](http://www.artisanng.com)

## ES1651.1-B Carrier Board (4 Sockets)



### Key Features

- Carrier board for up to four I/O modules of type PB1651xxx and PB4350xxx



ETAS Group  
Automotive LifeCycle  
Solutions

### Applications

The ES1651.1-B Carrier Board acts as a carrier board for up to four I/O modules in VMEbus systems. All modules of types PB4350xxx and PB1651xxx can be used in any combination.

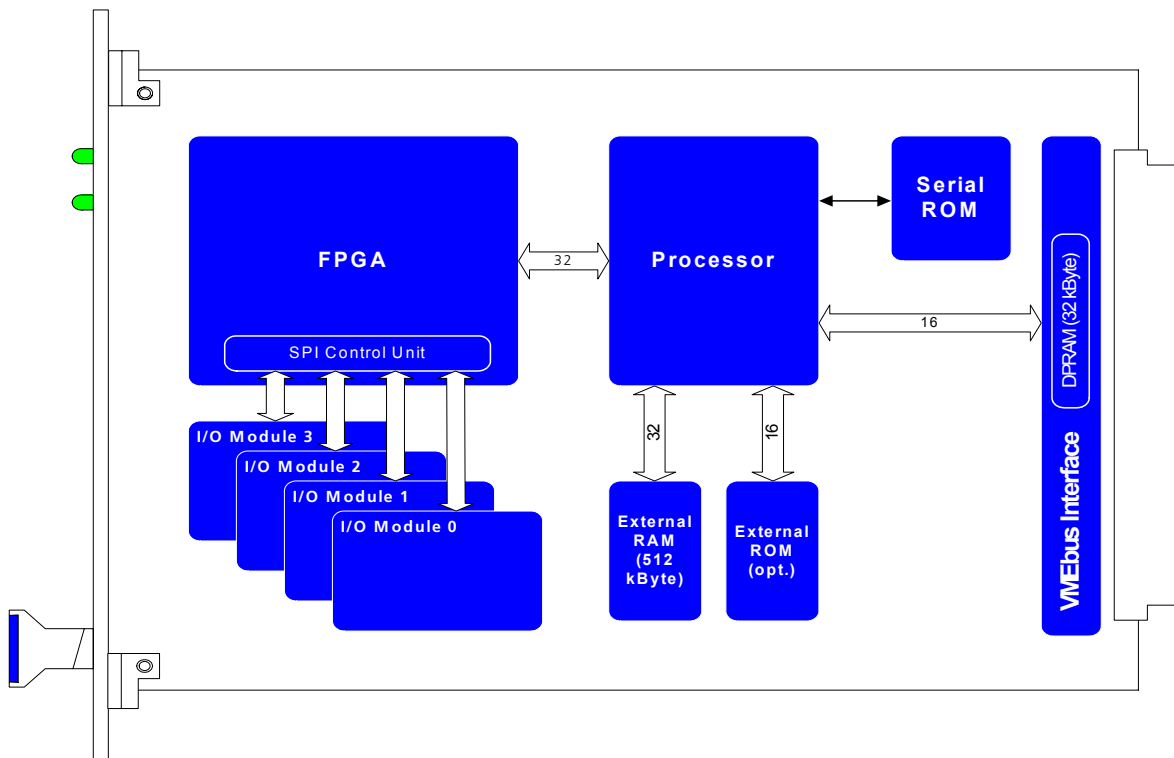
An SPI control unit realized in the FPGA of the board converts the parallel data flow of the processor into a serial bit flow for the SPI interfaces of the I/O modules.

## Software Control Interface

The ES1651.1-B Carrier Board is completely configurable and controllable by software. This software control interface, LABCAR-RTC (Real-Time Execution Connector) is supported by LABCAR-OPERATOR V3.2.5 and higher.

The software supports up to 20 ES1651 boards per VMEbus chassis.

## Block Diagram



## Technical Specifications

Names	Features
Configuration	4 sockets
Supported types of I/O module	PB1651xxx and PB4350xxx
I/O module interrupt to VMEbus	Yes
<b>Environment</b>	
Operating temperature	5 °C to 35 °C (41 °F to 95 °F)
Operating humidity	To 95% non-condensing
Isolation	Non-isolated

### Contact Addresses

ETAS GmbH  
70469 Stuttgart, Germany  
Phone +49 711 89661-102  
Fax +49 711 89661-106  
sales.de@etas.com

ETAS S.A.S.  
94588 Rungis Cedex, France  
Phone +33 1 56 70 00 50  
Fax +33 1 56 70 00 51  
sales.fr@etas.com

ETAS Ltd.  
Burton-upon-Trent  
Staffordshire DE14 2WQ  
Great Britain  
Phone +44 1283 54 65 12  
Fax +44 1283 54 87 67  
sales.uk@etas.com

ETAS Inc.  
Ann Arbor, MI 48103, USA  
Phone +1 888 ETAS INC  
Fax +1 734 997-9449  
sales.us@etas.com

ETAS K.K.  
Yokohama 220-6217, Japan  
Phone +81 45 222-0900  
Fax +81 45 222-0956  
sales.jp@etas.com

ETAS Korea Co., Ltd.  
Seoul 137-889, Korea  
Phone +82 2 57 47-016  
Fax +82 2 57 47-120  
sales.kr@etas.com

ETAS (Shanghai) Co., Ltd.  
Shanghai 200120, P.R. China  
Phone +86 21 5037 2220  
Fax +86 21 5037 2221  
sales.cn@etas.com

ETAS Automotive India Pvt. Ltd  
Bangalore 560 068, India  
Phone +91 80 4191 2588  
Fax +91 80 4191 2586  
sales.in@etas.com

[www.etas.com](http://www.etas.com)

Subject to change (2/2009)

ETAS/PSW-ETS5/Mhr

## Ordering Information

Order Name	Short Name	Order Number
ES1651.1-B Carrier Board (4 Sockets)	ES1651.1-B	F-00K-106-462



## Artisan Technology Group is your source for quality new and certified-used/pre-owned equipment

- FAST SHIPPING AND DELIVERY
- TENS OF THOUSANDS OF IN-STOCK ITEMS
- EQUIPMENT DEMOS
- HUNDREDS OF MANUFACTURERS SUPPORTED
- LEASING/MONTHLY RENTALS
- ITAR CERTIFIED SECURE ASSET SOLUTIONS

### SERVICE CENTER REPAIRS

Experienced engineers and technicians on staff at our full-service, in-house repair center

### *InstraView*<sup>SM</sup> REMOTE INSPECTION

Remotely inspect equipment before purchasing with our interactive website at [www.instraview.com](http://www.instraview.com) ↗

### WE BUY USED EQUIPMENT

Sell your excess, underutilized, and idle used equipment. We also offer credit for buy-backs and trade-ins. [www.artisanng.com/WeBuyEquipment](http://www.artisanng.com/WeBuyEquipment) ↗

### LOOKING FOR MORE INFORMATION?

Visit us on the web at [www.artisanng.com](http://www.artisanng.com) ↗ for more information on price quotations, drivers, technical specifications, manuals, and documentation

**Contact us:** (888) 88-SOURCE | [sales@artisanng.com](mailto:sales@artisanng.com) | [www.artisanng.com](http://www.artisanng.com)