



Artisan Technology Group is your source for quality new and certified-used/pre-owned equipment

- FAST SHIPPING AND DELIVERY
- TENS OF THOUSANDS OF IN-STOCK ITEMS
- EQUIPMENT DEMOS
- HUNDREDS OF MANUFACTURERS SUPPORTED
- LEASING/MONTHLY RENTALS
- ITAR CERTIFIED SECURE ASSET SOLUTIONS

SERVICE CENTER REPAIRS

Experienced engineers and technicians on staff at our full-service, in-house repair center

*InstraView*SM REMOTE INSPECTION

Remotely inspect equipment before purchasing with our interactive website at www.instraview.com ↗

WE BUY USED EQUIPMENT

Sell your excess, underutilized, and idle used equipment. We also offer credit for buy-backs and trade-ins. www.artisanng.com/WeBuyEquipment ↗

LOOKING FOR MORE INFORMATION?

Visit us on the web at www.artisanng.com ↗ for more information on price quotations, drivers, technical specifications, manuals, and documentation

Contact us: (888) 88-SOURCE | sales@artisanng.com | www.artisanng.com



Chapter 2 Installation

This chapter will guide you through the installation of the *Duet Parallel PCI*. There are no jumpers or switches to set for this PCI Plug-n-Play board.

2-1 Hardware Installation

General instructions for installing the board are given since the design of computer chassis varies. Refer to your computer's reference manual for information on removing the computer cover.

1. Turn OFF the power to your computer and any other connected peripheral devices.
2. Unplug the power cord from the back of the computer.
3. Remove your computer's cover by removing its mounting screws and sliding off the cover.
4. Select an available 32-bit PCI slot, remove the slot bracket by unscrewing the holding screw and sliding it out. Save the screw for securing the *Duet Parallel PCI* after it is installed.

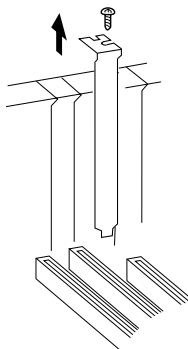


Figure 2-1. Remove the Slot Bracket

5. To install the *Duet Parallel PCI*, carefully align the board's bus connector to the PCI slot on the motherboard. Push the board down firmly, but gently, until it is well seated.

Note Hold the card by its external edges only. Try to avoid touching the components, connectors or pins.

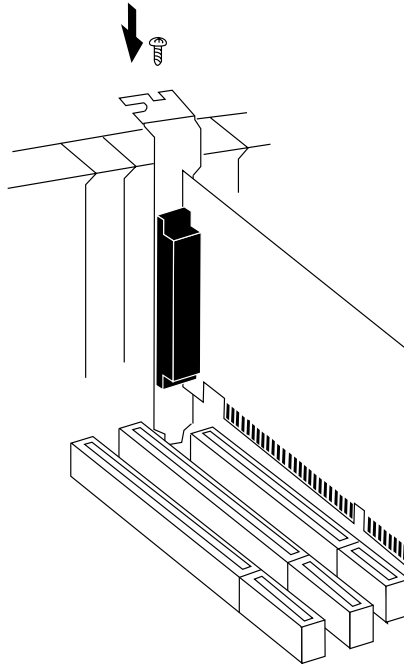


Figure 2-2. Install the *Duet Parallel PCI* Board

6. Replace the slot bracket's holding screw to secure the board to the rear slot panel.
7. Replace the computer's cover.

2-1.1 Connecting Cable and Devices

You can connect up to two parallel port devices to your system via the DB25 connector **P1** (parallel port 1) and **P2** (parallel port 2) which are distributed from the large DB37 connector. Proceed with the following instructions for device connections:

1. Connect the DB37 connector to the external connector on the *Duet Parallel PCI*. Make sure the screws by the sides of the cable connector are well secured.
2. The two DB25 connectors are now ready to connect devices.

Caution To avoid possibly damage, turn the system and all devices **OFF** before making device connection.



Figure2-3: ConnectingCablesandDevices

3. Reconnect all the power cords of the computer and the peripherals.

The hardware installation is now complete. Continue to the next section for software installation.

2-2 Software Installation

This section provides information on how to install the *Duet Parallel PCI's* drivers for the following operating systems:

Windows 95
Windows 98
Windows NT 4.0
DOS/Windows 3.1x

2-2.1 Windows 95 Driver Installation

To ensure proper installation in your system, verify the version (**4.00.950**, **4.00.950B** or **4.00.950C**) of Windows 95 in your system and follow the installation procedures accordingly. To verify version, go to **My Computer/Control Panel/System/General**

Follow the procedures listed below to install the Windows 95 drivers:

1. When you first turn on your computer after installing the board, Windows will notify you of "New Hardware Found".
2. For version 4.00.950 user, select "**Driver from disk provided by hardware manufacturer**" and click on "OK".

(For version 4.00.950B or 4.00.950C user, the "Update Device Driver Wizard" dialog box will appear, click on "Next")

3. Insert the *Driver Installation* diskette in the floppy drive and type in **a:\Win95** and click on "OK".

(For version 4.00.950B or 4.00.950C, check "**Other Locations**" and type in **a:\Win95**, click on "OK", and then "**Finish**". From the "Insert Disk" window, click on "OK". When the "Copying Files" dialog box appears, type in **a:\Win95** and click on "OK" again.)

4. Remove the diskette and select "**Yes**" to restart the computer for the setup to take effect.

2-2.2 Windows 98 Driver Installation

Follow the steps listed below to install the Windows 98 drivers:

1. At the *Add New Hardware Wizard* windows, click on “**Next**”.
2. Select the option “**Search for the best driver for your devices (Recommend)**”, and click on “**Next**”.
3. Select the option “**Specify the location**”, and type in **a:\Win98** then click on “**Next**”.
4. Click “**Next**” and then “**Finish**” respectively.
5. Remove the diskette, then select “**Yes**” to restart the computer for the setup to take effect.

To verify successful installation in Windows 95/98:

1. From the main desktop, click on *My Computer*, then double-click on *Control Panel, System, and Device Manager*.
2. Double-click on either *Ports (COM & LPT)* or *SIIG Cyber PCI* device options. **SIIG Cyber Parallel Dual Board** should be displayed when successfully installed. The port is ready to connect new device.

2-2.3 Windows NT 4.0 Driver Installation

Follow the steps listed below to install the Windows NT 4.0 drivers:

1. Go to **Start and Run**.
2. Insert the *Driver Installation* diskette in the floppy drive and type in: **a:\NT4\setup**, then click on “**OK**”.
3. The “Welcome” window will appear. Click on “**Next**”.
4. From the “Choose Destination Location” window, click on “**Next**”.
5. From the next “Setup Complete” window, select “*Yes, I want to restart my computer now*” and click on “**Finish**”.
6. Remove the diskette and restart the computer for the setup to take effect.

To verify successful installation in Windows NT 4.0:

1. Go to **Start / Setting / Control Panel**, double-click on **SIIG Cyber PCI 20X** device icon.
2. New LPT numbers will be assigned for the parallel ports when successfully installed. The board is ready to connect printers.

Note If you plan to connect a parallel device other than a printer, such as zip drive, scanner etc, please follow the next section to change the port's I/O address to support the device.

To change the I/O address in Windows NT 4.0:

1. Go to **Start / Setting / Control Panel**, double-click on **Cyber PCI I/O** device icon.
2. Highlight the LPT address you want to change and click on **Setting**.
3. Select or type in an I/O address supported by the device you would like to configure and click on “**OK**”. Make sure the selected I/O address does not conflict with other devices in your system.
4. Select **Restart Now** for the new setup to take effect.

2-2.4 DOS/Windows 3.1x Driver Installation

Follow the steps listed below to install the drivers for DOS/Windows 3.1x:

1. Insert *Driver Installation* diskette in the floppy drive and from the C:\> prompt, type in: **copy a:\dos*.*** and press **<Enter>**.
2. Type in: **edit autoexec.bat** and press **<Enter>**.
3. Add **C:\CB20XPC.exe** at the bottom of the autoexec.bat file.
4. Go to **File**, save the changes and exit.
5. Remove the diskette and restart the system for the new setup to take effect.



Artisan Technology Group is your source for quality new and certified-used/pre-owned equipment

- FAST SHIPPING AND DELIVERY
- TENS OF THOUSANDS OF IN-STOCK ITEMS
- EQUIPMENT DEMOS
- HUNDREDS OF MANUFACTURERS SUPPORTED
- LEASING/MONTHLY RENTALS
- ITAR CERTIFIED SECURE ASSET SOLUTIONS

SERVICE CENTER REPAIRS

Experienced engineers and technicians on staff at our full-service, in-house repair center

*InstraView*SM REMOTE INSPECTION

Remotely inspect equipment before purchasing with our interactive website at www.instraview.com ↗

WE BUY USED EQUIPMENT

Sell your excess, underutilized, and idle used equipment. We also offer credit for buy-backs and trade-ins. www.artisanng.com/WeBuyEquipment ↗

LOOKING FOR MORE INFORMATION?

Visit us on the web at www.artisanng.com ↗ for more information on price quotations, drivers, technical specifications, manuals, and documentation

Contact us: (888) 88-SOURCE | sales@artisanng.com | www.artisanng.com