



Artisan Technology Group is your source for quality new and certified-used/pre-owned equipment

- FAST SHIPPING AND DELIVERY
- TENS OF THOUSANDS OF IN-STOCK ITEMS
- EQUIPMENT DEMOS
- HUNDREDS OF MANUFACTURERS SUPPORTED
- LEASING/MONTHLY RENTALS
- ITAR CERTIFIED SECURE ASSET SOLUTIONS

SERVICE CENTER REPAIRS

Experienced engineers and technicians on staff at our full-service, in-house repair center

*InstraView*SM REMOTE INSPECTION

Remotely inspect equipment before purchasing with our interactive website at www.instraview.com ↗

WE BUY USED EQUIPMENT

Sell your excess, underutilized, and idle used equipment. We also offer credit for buy-backs and trade-ins. www.artisanng.com/WeBuyEquipment ↗

LOOKING FOR MORE INFORMATION?

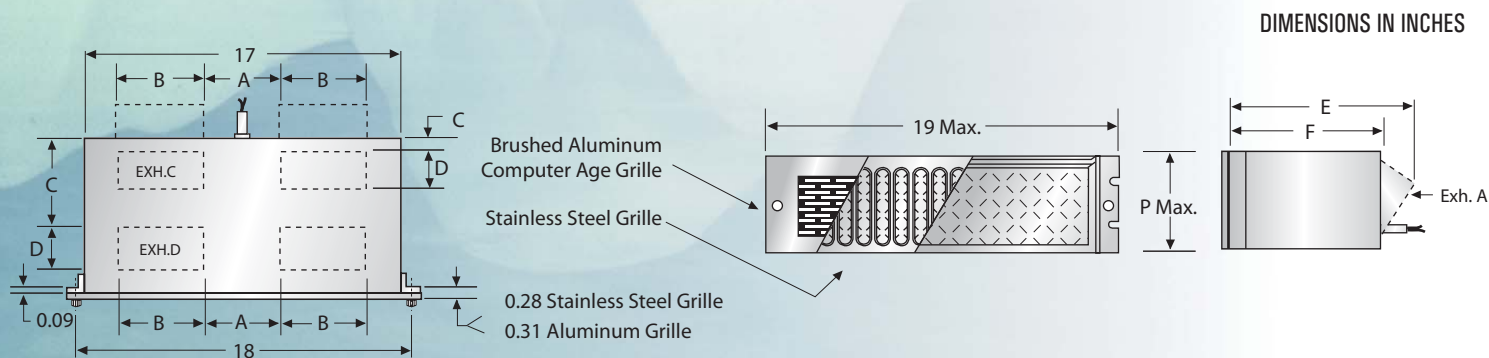
Visit us on the web at www.artisanng.com ↗ for more information on price quotations, drivers, technical specifications, manuals, and documentation

Contact us: (888) 88-SOURCE | sales@artisanng.com | www.artisanng.com

Standard Packages



Outline Dimensions



MODEL		DIMENSIONS																MODEL		
STAINLESS STEEL GRILLE	ALL EXHAUSTS PMAX	EXHAUST A				EXHAUST B			EXHAUST C					EXHAUST D				ALL EXHAUSTS PMAX	COMPUTER AGE GRILLE	
		A	B	E	F	A	B	F	A	B	C	D	F	A	B	C	D	F		
2EB300	5.25	4.34	2.13	9.03	7.31	4.31	2.00	7.31	4.31	2.00	0.25	2.06	8.25	4.31	2.00	3.19	2.06	8.25	5.25	2EB301
2EB3500	5.25	4.25	4.69	9.03	7.31	4.25	4.69	7.31	4.14	4.50	0.75	2.00	8.25	4.14	4.50	0.75	2.00	8.25	5.25	2EB3501
2EB410	7.00	3.00	4.81	10.18	8.22	3.13	4.88	8.22	3.13	4.81	0.63	3.31	8.84	3.13	4.81	3.72	3.31	8.84	7.00	2EB411

Description

McLean Thermal Packaged Blowers offer reliable rack cooling in a variety of case styles. A broad stock selection is available for immediate shipment. Specify exhaust style (A, B, C or D) when ordering.

Features

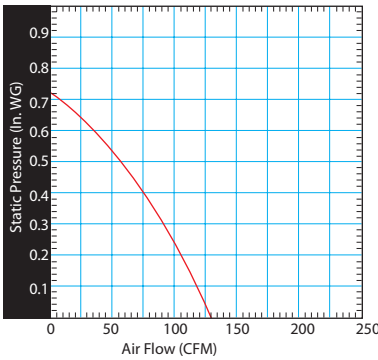
- 115 or 230 VAC
- Permanent Washable Filter
- Polished Stainless Steel Grilles
- 19" Rack Mountable
- UL Recognized, CSA Certified Motors

Options

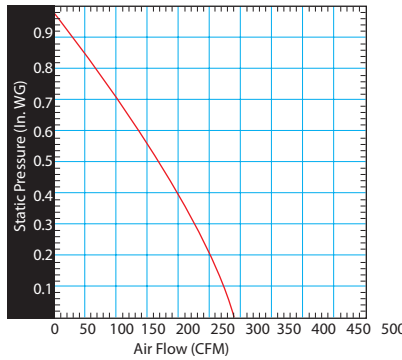
- Brushed Aluminum Grille
- Brushless DC
- Exhaust Guards
- Molded Cord Sets
- Air Flow Indicator
- Air Flow Controller
- 24" or 30" Rack Mountable

Performance Curves

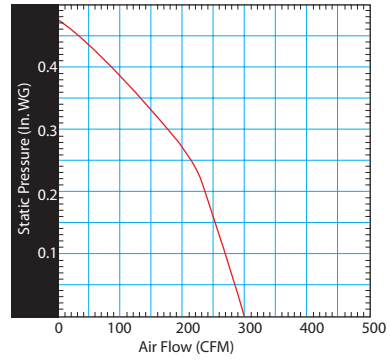
2EB300A,B,C,D
2EB301A,B,C,D



2EB3500A,B,C,D
2EB3501A,B,C,D



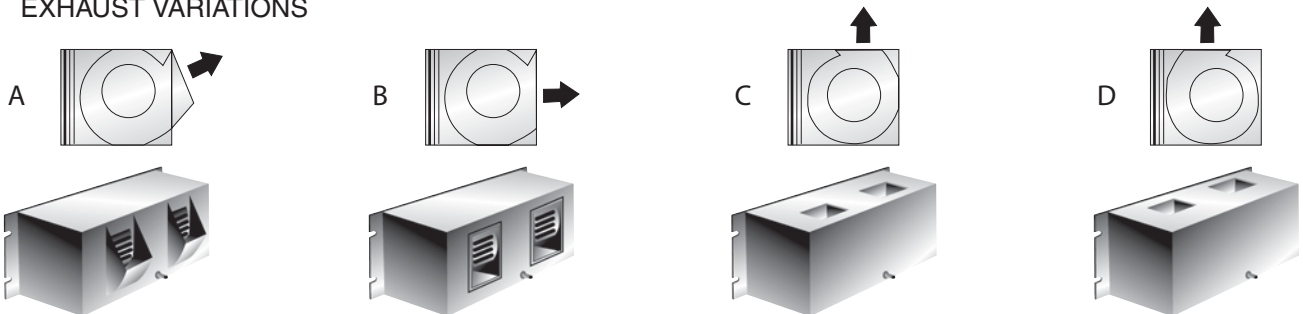
2EB410A,B,C,D
2EB411A,B,C,D



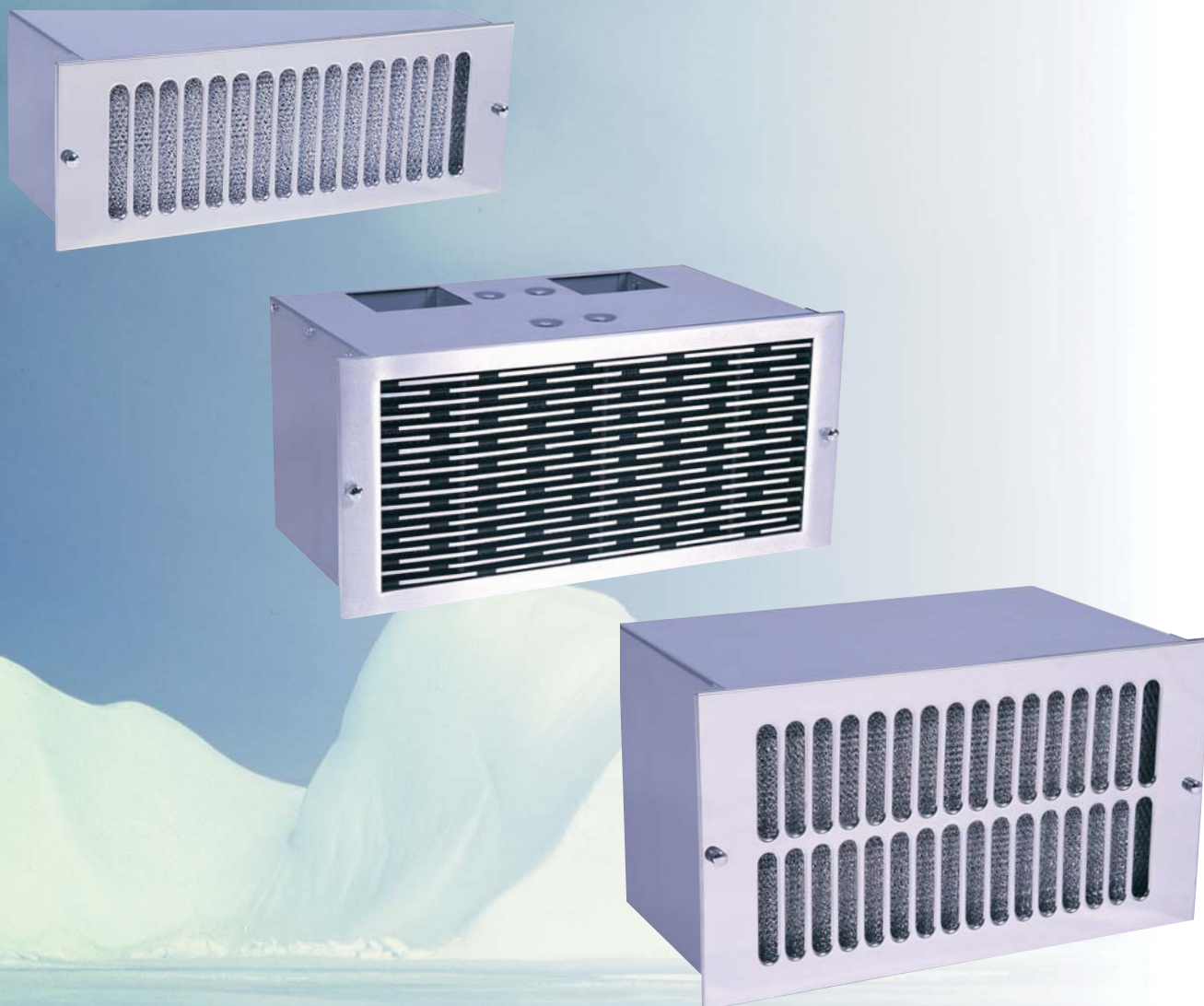
Performance Data

MODEL	PERFORMANCE DATA					MODEL
STAINLESS STEEL GRILLE ALL EXHAUSTS	CFM	RPM	AMPS		WATTS	COMPUTER AGE GRILLE ALL EXHAUSTS
			RUN	L.R.		
2EB300	125	3000	0.9	1.2	70	2EB301
2EB3500	290	3050	1.8	2.5	125	2EB3501
2EB410	300	1550	1.2	1.6	95	2EB411

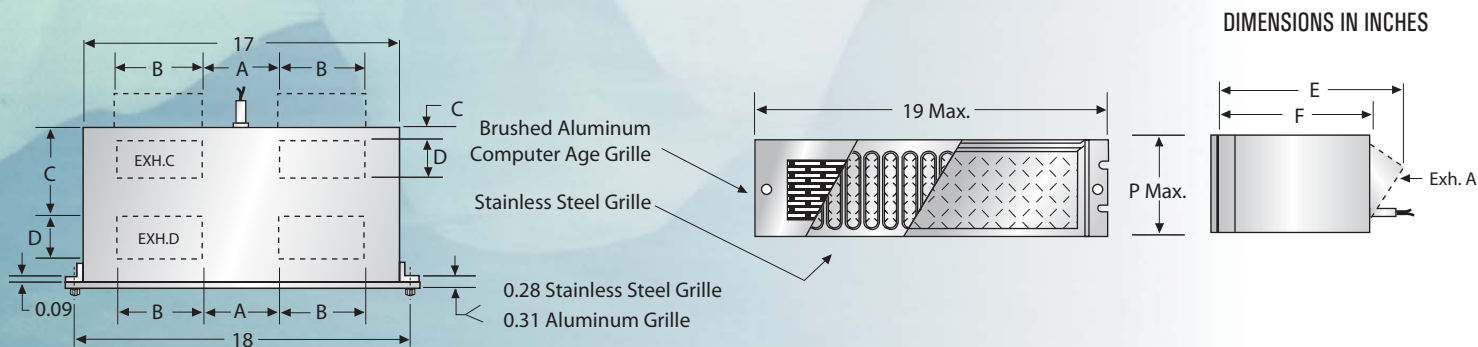
EXHAUST VARIATIONS



Standard Packages



Outline Dimensions



MODEL		DIMENSIONS															MODEL			
STAINLESS STEEL GRILLE	ALL EXHAUSTS PMAX	EXHAUST A				EXHAUST B			EXHAUST C				EXHAUST D				ALL EXHAUSTS PMAX	COMPUTER AGE GRILLE		
		A	B	E	F	A	B	F	A	B	C	D	F	A	B	C			D	F
2EB412	7.00	4.25	3.29	10.29	8.29	4.38	3.09	8.29	4.38	3.09	0.14	2.47	8.84	4.38	3.09	4.59	2.47	8.84	7.00	2EB413
2EB512	8.75	4.25	3.75	11.56	8.99	4.38	3.63	8.99	4.38	3.63	0.50	3.25	9.59	4.38	3.63	5.13	3.25	9.59	8.75	2EB513
2EB612	10.5	4.25	4.09	13.47	10.22	4.38	3.99	10.22	4.38	3.99	0.03	4.25	12.00	4.38	3.99	6.50	4.25	12.00	10.5	2EB613

Description

McLean Thermal Packaged Blowers offer reliable rack cooling in a variety of case styles. A broad stock selection is available for immediate shipment. Specify exhaust style (A, B, C or D) when ordering.

Features

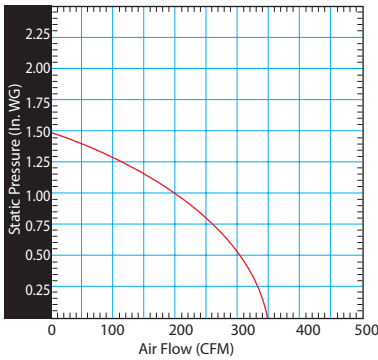
- 115 or 230 VAC
- Permanent Washable Filter
- Polished Stainless Steel Grilles
- 19" Rack Mountable
- UL Recognized, CSA Certified Motors

Options

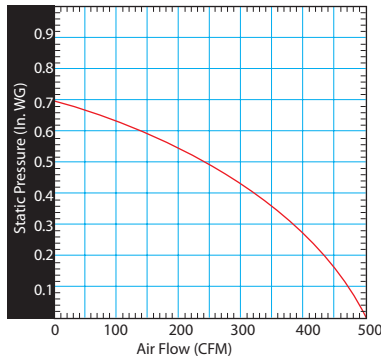
- Brushed Aluminum Grille
- Brushless DC
- Exhaust Guards
- Molded Cord Sets
- Air Flow Indicator
- Air Flow Controller
- 24" or 30" Rack Mountable

Performance Curves

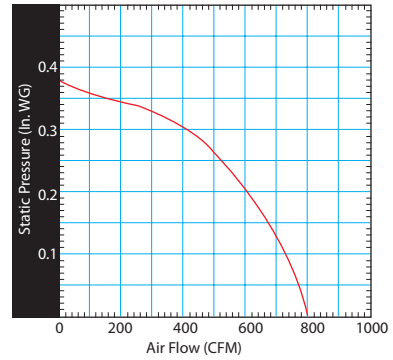
2EB412A,B,C,D
2EB413A,B,C,D



2EB512A,B,C,D
2EB513A,B,C,D



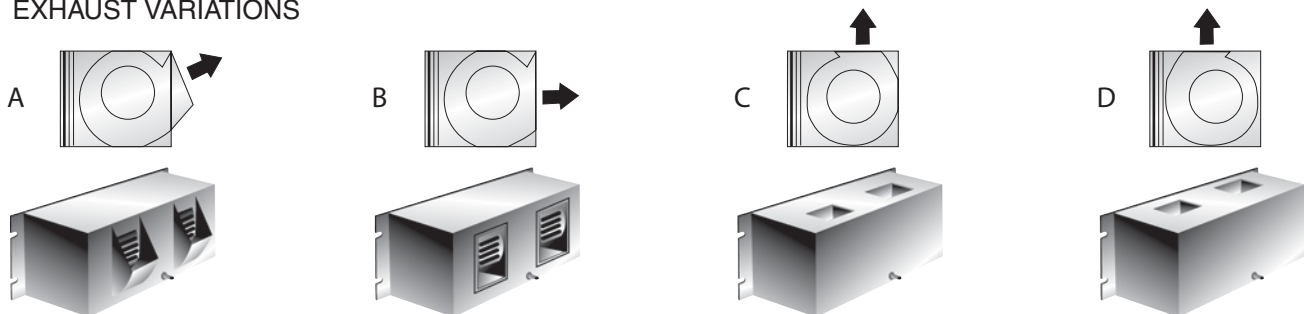
2EB612A,B,C,D
2EB613A,B,C,D



Performance Data

MODEL	PERFORMANCE DATA				MODEL	
	CFM	RPM	AMPS			WATTS
STAINLESS STEEL GRILLE ALL EXHAUSTS			COMPUTER AGE GRILLE ALL EXHAUSTS	RUN	L.R.	
2EB412	350	3100	1.8	4.0	200	2EB413
2EB512	500	1700	1.6	3.5	140	2EB513
2EB612	800	1650	1.9	4.8	220	2EB613

EXHAUST VARIATIONS





Artisan Technology Group is your source for quality new and certified-used/pre-owned equipment

- FAST SHIPPING AND DELIVERY
- TENS OF THOUSANDS OF IN-STOCK ITEMS
- EQUIPMENT DEMOS
- HUNDREDS OF MANUFACTURERS SUPPORTED
- LEASING/MONTHLY RENTALS
- ITAR CERTIFIED SECURE ASSET SOLUTIONS

SERVICE CENTER REPAIRS

Experienced engineers and technicians on staff at our full-service, in-house repair center

*InstraView*SM REMOTE INSPECTION

Remotely inspect equipment before purchasing with our interactive website at www.instraview.com ↗

WE BUY USED EQUIPMENT

Sell your excess, underutilized, and idle used equipment. We also offer credit for buy-backs and trade-ins. www.artisanng.com/WeBuyEquipment ↗

LOOKING FOR MORE INFORMATION?

Visit us on the web at www.artisanng.com ↗ for more information on price quotations, drivers, technical specifications, manuals, and documentation

Contact us: (888) 88-SOURCE | sales@artisanng.com | www.artisanng.com