



## Artisan Technology Group is your source for quality new and certified-used/pre-owned equipment

- FAST SHIPPING AND DELIVERY
- TENS OF THOUSANDS OF IN-STOCK ITEMS
- EQUIPMENT DEMOS
- HUNDREDS OF MANUFACTURERS SUPPORTED
- LEASING/MONTHLY RENTALS
- ITAR CERTIFIED SECURE ASSET SOLUTIONS

### SERVICE CENTER REPAIRS

Experienced engineers and technicians on staff at our full-service, in-house repair center

### *InstraView*<sup>SM</sup> REMOTE INSPECTION

Remotely inspect equipment before purchasing with our interactive website at [www.instraview.com](http://www.instraview.com) ↗

### WE BUY USED EQUIPMENT

Sell your excess, underutilized, and idle used equipment. We also offer credit for buy-backs and trade-ins. [www.artisanng.com/WeBuyEquipment](http://www.artisanng.com/WeBuyEquipment) ↗

### LOOKING FOR MORE INFORMATION?

Visit us on the web at [www.artisanng.com](http://www.artisanng.com) ↗ for more information on price quotations, drivers, technical specifications, manuals, and documentation

**Contact us:** (888) 88-SOURCE | [sales@artisanng.com](mailto:sales@artisanng.com) | [www.artisanng.com](http://www.artisanng.com)

# ImpactRT 3100 System



## The First RapidIO Multicomputer

The ImpactRT™ 3100 system is a fully integrated multicomputer for today's toughest commercial applications such as medical and semiconductor imaging. Built on next-generation technologies of PowerPC® G4+ microprocessors for computing and RapidIO® technology for communications,

In addition to opening new levels of system performance, the ImpactRT 3100 system extends Mercury Computer Systems' proven application and solution expertise to the next-generation multi-computing architecture. Mercury provides a reliable foundation for deploying and maintaining applications throughout today's long program life cycles. Customers can now develop applications to address even more demanding image and digital signal processing challenges with the assurance of continued support

**Scales to 76 processors with 600 GFLOPS or 2.4 TOPS**

**Up to 60 GB/s aggregate over the RapidIO switch fabric**

**Up to 10 GB/s Fiber I/O**

**Software compatible with RACE++ Series**

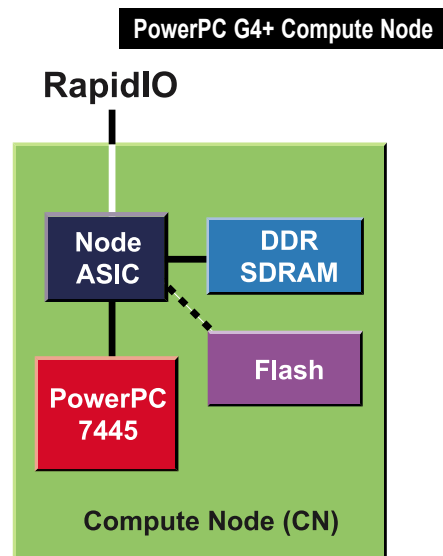
**Enhanced reliability, availability, and serviceability**

# ImpactRT™ 3100

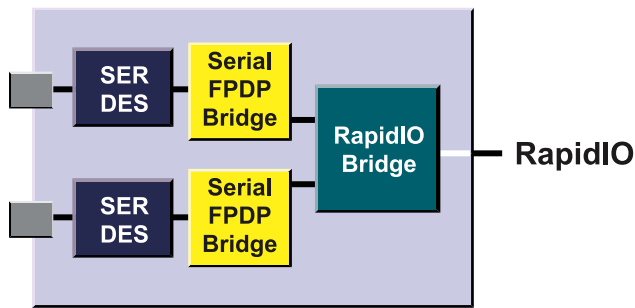
the ImpactRT 3100 system provides up to 76 processors with 600 GFLOPS or 2.4 TOPS of computing power.

Multicomputing software from Mercury translates the system potential into system performance, delivered right to the application software. Multiprocessor development and debugging tools provide the productivity and insight for creation of complex real-time applications. Multiprocessor communication libraries and algorithm libraries turn islands of processing power into parallel processing systems that increase throughput while reducing latency. Both the development tool chain and the APIs are backward-compatible with existing solutions, thereby minimizing the risk for technology upgrades.

from the multicomputing partner of choice for leading defense, medical, and industrial system integrators.



### Dual Fiber I/O Node



## Processing and I/O Power

The ImpactRT 3100 system supports up to 76 compute nodes (CNs). Each CN includes a 1 GHz PowerPC 7445, 256 or 512 MB of DDR SDRAM, and a GxCE compute node ASIC. The ASIC is both the memory controller and the interface to the RapidIO switch fabric that enables multiple simultaneous communications among compute nodes. The system also includes a PCI interface module. Through a RapidIO-to-PCI bridge, this module provides a PMC slot for I/O devices, and the PCI connection to a slot 1 system host running Windows 2000.

Up to 40 fiber-optic interfaces in the rear of the system pull in sensor I/O for an aggregate peak of up to 10 GB/s. Every I/O interface is a 2.5 Gigabits/s fiber I/O connection running the Serial FPDP protocol for low overhead and low latency. Each I/O and compute node in the system has a direct connection to the RapidIO switch fabric, delivering up to 1.2 GB/s of full duplex data transfer, resulting in an aggregate of up to 60 GB/s of simultaneous communication among the nodes.

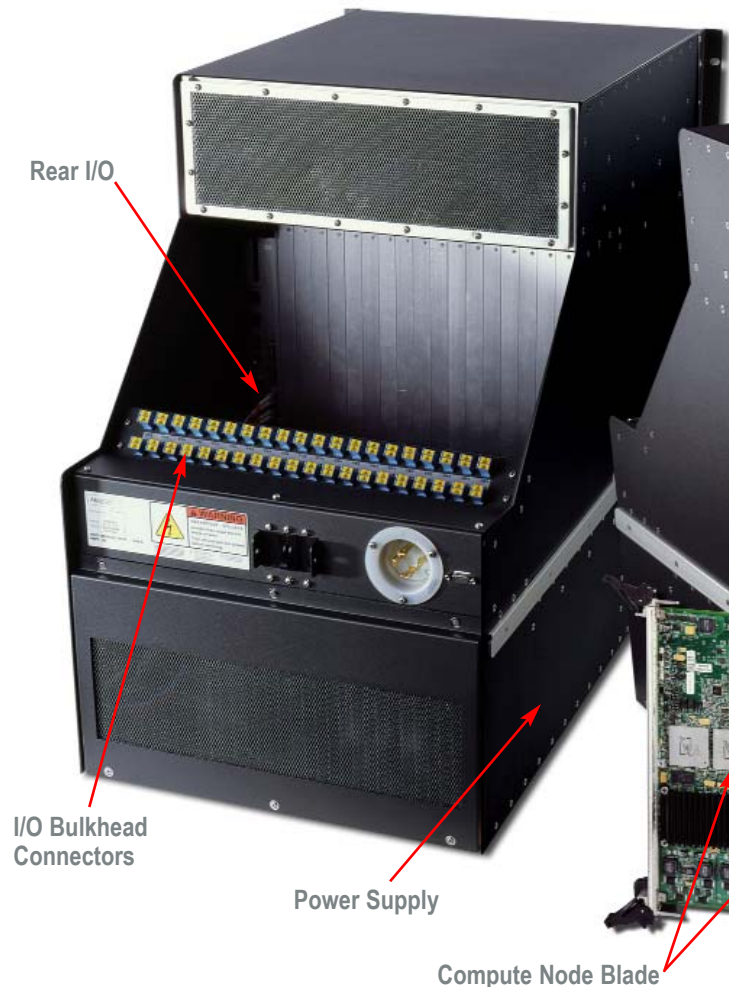
## Multiprocessor Software Environment

Mercury's multiprocessor software for both development and runtime operation makes the difference between a collection of independent processing nodes and a coordinated set of processors working together to solve a problem at peak performance.

The MC/OS™ multicomputer operating environment provides the system services for managing resources in a distributed processor system and the multiprocessor library for coordinated, high-speed data transfer among processors

and I/O interface. Hand-coded algorithm libraries have been painstakingly optimized for the AltiVec vector engine in the PowerPC processors. The Scientific Algorithm Library (SAL) provides hundreds of floating-point functions for signal processing and image processing. The PixL™ image processing library includes fixed-point functions covering algorithms from morphology operators to fixed-point fast Fourier transforms.

Mercury's full suite of multiprocessor development software is also available for the ImpactRT 3100 system. The broadly adopted MULTI® integrated development environment provides integrated debugging, profiling, program building, and version control facilities that streamline the development of critical application software. The TATL™ trace analysis tool and library shows multiprocessor interactions useful for debugging multiprocessor resource contentions and load imbalances.

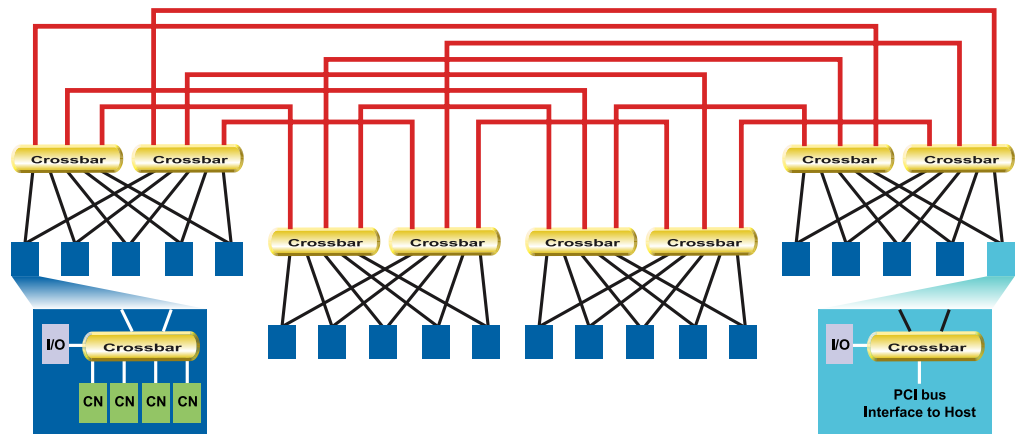


## Easy Application Migration

In addition to opening new levels of processing performance and data bandwidth, the ImpactRT 3100 system offers an easy migration path for existing RACE++<sup>®</sup> applications requiring additional performance. Applications that currently run on RACE++ multicomputers can move to the ImpactRT 3100 system with virtually no code changes.

In most cases, porting is as simple as updating the system configuration file. The existing RACE++ APIs operate without modification, so customers can take advantage of RapidIO performance gains without any additional

ImpactRT 3100 Topology



application investment. New RapidIO features not accessed through the RACE++ API can be brought online as the customer desires.

## RapidIO-Based Solutions from Mercury

RapidIO is an open standard, but only Mercury has the experience to deliver it as a reliable, low-risk, high-performance embedded multiprocessing solution. As the pioneer of heterogeneous switch fabric-based computing, Mercury is uniquely equipped with system expertise, application expertise, and support and consulting resources to craft RapidIO-based systems to individual customer requirements. RACE Series<sup>™</sup> and RACE++ Series applications readily move to the ImpactRT 3100 environment, protecting customer investments and providing a smooth growth path for fielded systems.

The ImpactRT 3100 system is only the first in a new generation of embedded multicomputing solutions from Mercury, the industry's leading provider of heterogeneous embedded solutions for high-performance digital signal and image processing. It extends Mercury's advantages and expertise in scalability, system and application software, and performance density into a new performance domain.





## ImpactRT 3100 Specifications

### Compute Nodes

|               |                                   |
|---------------|-----------------------------------|
| Processor     | 1.0 GHz PowerPC 7445 with AltiVec |
| Memory        | 256 or 512 MB SDRAM               |
| Communication | 1.2 GB/s RapidIO, full duplex     |

### Dual I/O Nodes

|               |   |
|---------------|---|
| Interfaces    | 2 full duplex fiber interfaces  |
| Speed         | 2.5 Gbaud max, 1.062 Gbaud compatible                                 |
| Protocol      | VITA 17.1 Serial FPDP   |
| Media         | Short wave (850 nm) fiber   |
| Distance      | 100 meters of 62.5 $\mu$ m fiber or<br>150 meters of 50 $\mu$ m fiber |
| Communication | 1.2 GB/s RapidIO, full duplex   |

### Dimensions

|        |                                    |
|--------|------------------------------------|
| Width  | 17.6" (447 mm), for 19" rack mount |
| Height | 26.2" (665 mm)                     |
| Depth  | 31.6" (802 mm)                     |

### Weight

165 lbs., fully loaded

### Input Power

208-240 VAC 50-60 Hz  
Breaker: 25A, 3-phase, single toggle

### Peripherals

Windows 2000 host  
Up to 3 hard drives, 36 GB each  
CDRW 12x write /10x re-write /32x read

## Serviceability

Hot-swappable blower modules  
Removable hard drives  
Front-accessible chassis intake air filter  
Power supply voltage monitoring and alarming  
Field-replaceable power supply

## Configurations

|                         |               |
|-------------------------|---------------|
| Memory per compute node | 256 or 512 MB |
| Max compute nodes       | 76            |
| Max dual I/O nodes      | 20            |
| Max disk drives         | 3             |



For more information, go to [www.mc.com](http://www.mc.com)

RACE++ and the RACE++ logo are registered trademarks, and ImpactRT, MC/OS, PAS, RACE Series and the RACE logo, and TATL are trademarks of Mercury Computer Systems, Inc. PowerPC is a registered trademark of IBM Corp. RapidIO is a registered trademark of the RapidIO Trade Association. Other products mentioned may be trademarks or registered trademarks of their respective holders. Mercury believes this information is accurate as of its publication date and is not responsible for any inadvertent errors. The information contained herein is subject to change without notice.  
Copyright © 2003 Mercury Computer Systems, Inc. 028-0303-IMP3100

### Nihon Mercury Computer Systems K.K.

No. 2 Gotanda Fujikoshi Bldg. 4F  
5-23-1 Higashi Gotanda  
Shinagawa-ku, Tokyo 141-0022  
JAPAN  
+81 3 3473 0140  
Fax +81 3 3473 0141

### Mercury Computer Systems, SARL

Immeuble le Montreal  
19 bis, avenue du Quebec  
Villebon  
91951 COURTABOEUF CEDEX  
FRANCE  
+ 33 (0) 1 69 59 94 00  
Fax + 33 (0) 69 86 10 87

### Mercury Computer Systems, Ltd.

Campbell Court, Unit 19  
Bramley, Tadley  
HANTS RG26 5EG  
UNITED KINGDOM  
+ 44 1 256 880090  
Fax + 44 1 25688 4004

199 Riverneck Road  
Chelmsford, MA 01824-2820 U.S.A.  
978-256-1300 • Fax 978-256-3599  
800-229-2006 • <http://www.mc.com>  
NASDAQ: MRCY



## Artisan Technology Group is your source for quality new and certified-used/pre-owned equipment

- FAST SHIPPING AND DELIVERY
- TENS OF THOUSANDS OF IN-STOCK ITEMS
- EQUIPMENT DEMOS
- HUNDREDS OF MANUFACTURERS SUPPORTED
- LEASING/MONTHLY RENTALS
- ITAR CERTIFIED SECURE ASSET SOLUTIONS

### SERVICE CENTER REPAIRS

Experienced engineers and technicians on staff at our full-service, in-house repair center

### *InstraView*<sup>SM</sup> REMOTE INSPECTION

Remotely inspect equipment before purchasing with our interactive website at [www.instraview.com](http://www.instraview.com) ↗

### WE BUY USED EQUIPMENT

Sell your excess, underutilized, and idle used equipment. We also offer credit for buy-backs and trade-ins. [www.artisanng.com/WeBuyEquipment](http://www.artisanng.com/WeBuyEquipment) ↗

### LOOKING FOR MORE INFORMATION?

Visit us on the web at [www.artisanng.com](http://www.artisanng.com) ↗ for more information on price quotations, drivers, technical specifications, manuals, and documentation

**Contact us:** (888) 88-SOURCE | [sales@artisanng.com](mailto:sales@artisanng.com) | [www.artisanng.com](http://www.artisanng.com)