



Artisan Technology Group is your source for quality new and certified-used/pre-owned equipment

- FAST SHIPPING AND DELIVERY
- TENS OF THOUSANDS OF IN-STOCK ITEMS
- EQUIPMENT DEMOS
- HUNDREDS OF MANUFACTURERS SUPPORTED
- LEASING/MONTHLY RENTALS
- ITAR CERTIFIED SECURE ASSET SOLUTIONS

SERVICE CENTER REPAIRS

Experienced engineers and technicians on staff at our full-service, in-house repair center

*InstraView*SM REMOTE INSPECTION

Remotely inspect equipment before purchasing with our interactive website at www.instraview.com ↗

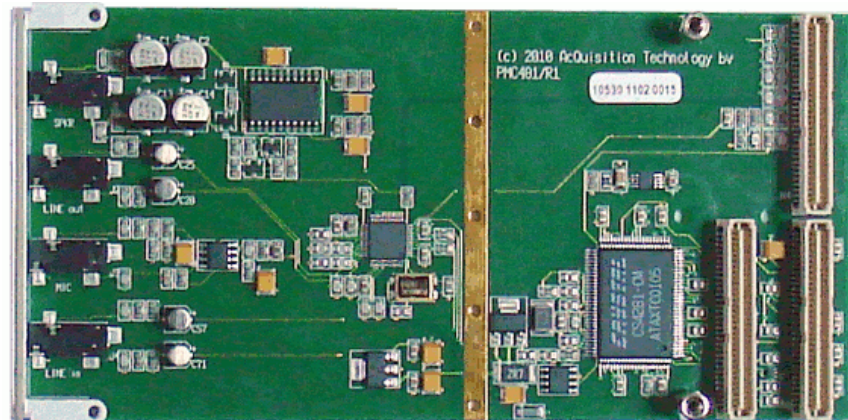
WE BUY USED EQUIPMENT

Sell your excess, underutilized, and idle used equipment. We also offer credit for buy-backs and trade-ins. www.artisanng.com/WeBuyEquipment ↗

LOOKING FOR MORE INFORMATION?

Visit us on the web at www.artisanng.com ↗ for more information on price quotations, drivers, technical specifications, manuals, and documentation

Contact us: (888) 88-SOURCE | sales@artisanng.com | www.artisanng.com



A PMC audio card with front and rear I/O based on the Crystal CS4281 CrystalClear™ PCI Audio Interface controller and the Crystal CS4299 CrystalClear™ SoundFusion™ Audio Codec '97. The PMC481 features four audio connections via the front panel using 3.5mm stereo connectors.

Optional the audio connections can be made via the rear I/O of the PMC481 using the:

- > PIM481-J (PMC I/O Module, with four 3.5mm stereo connectors) or the
- > PIM481-DSUB ((PMC I/O Module, with D-sub for rear I/O).

The PIM481-J and PIM481-DSUB can be mounted on a rear transition module (RTM). Pictures of these I/O modules can be found on our website.

The audio interface consists of a line input, a microphone input, a line output and a speaker output with an oncard stereo amplifier. To prevent that the onboard amplifier shortly draws a too high current from the +12V supply the PMC481 has an onboard current limiter which limits the current to (a little less than) 500mA.

Driver support for the Crystal CS4281 is included in commonly used operating systems, like Windows (up to XP), Linux and VxWorks (refer to OpenSound).

Features:

- > Single PMC slot (IEEE 1386.1-2001) with front I/O and rear I/O
- > Optional PIM481-J or PIM-DSUB (VITA 36) for rear I/O connections
- > Crystal CS4281 CrystalClear™ PCI Audio Interface controller
- > Crystal CS4299 CrystalClear™ SoundFusion™ Audio Codec '97
- > PCI interface: PCI 2.1 compliant, 33MHz, 32-bit interface, 3.3V and 5.0V signalling supported, 5V and 12V supply
- > 4 audio connections via front or optional PIM faceplate: Line In (stereo), Line Out (stereo), Microphone In (mono), Speaker Out (stereo)
- > On-board amplifier with current limiter
- > Driver support for the Crystal CS4281 is included in commonly used operating systems, like Windows (up to XP), Linux and VxWorks (refer to OpenSound).

PCI Bus Compliance

- * PCI 2.1 compliant
- * PMC: IEEE 1386.1-2001 compliant
- * 33MHz, 32-bit interface
- * 3.3V or 5.0V PCI signalling
- * 5V and 12V supply voltage
- * PIM: VITA 36 compliant

Controller

- * Crystal CS4281 CrystalClear™ PCI Audio Interface controller
- * Crystal CS4299 CrystalClear™ SoundFusion™ Audio Codec '97

Audio Interface

Line In:

- * Stereo Line Input, standard 3.5mm jack
- * Dynamic range for line in is 2Vrms
- * Microphone: the microphone jack (standard 3.5mm) is designed for electret (condenser) microphones that need phantom power on the jack's ring terminal
- * The jack's ring terminal provides filtered 2.5V for powering the mic
- * Input voltage range with the 20dB boost off is 125mVrms, with the 20dB mic boost enabled the range is 12.5.Vrms

Audio Interface

Line Out:

- * Stereo Line Output, standard 3.5mm jack
- * Output is 1Vrms into 10K load

Speaker Out:

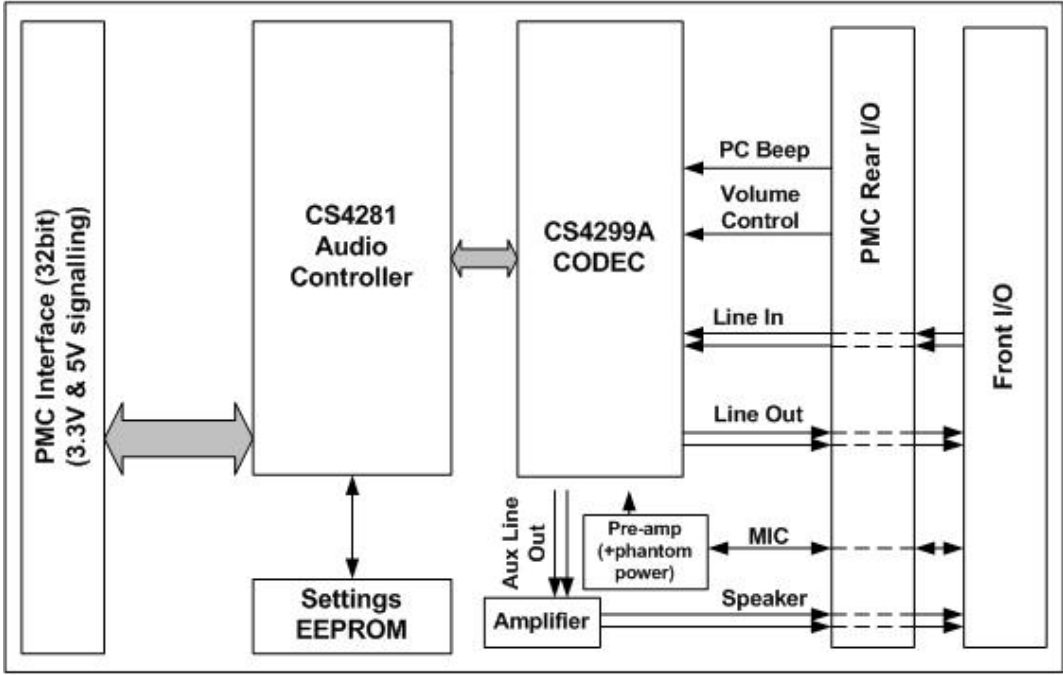
- * Stereo Speaker Output, standard 3.5mm jack
- * Output upto 1.5W per channel into a 4 or 8 load, but should be kept less than this over long periods unless the system has above average cooling.
- * The +12V supply has an onboard current limiter (500mA) to prevent short circuit during live insertion of jack plug

Software

- * Driver support for the Crystal CS4281 is included in commonly used operating systems, like Windows (up to XP), Linux and VxWorks (refer to OpenSound).

Ordering Information

- * **NOTE: The PMC481 is not recommended for new designs. The successor of the PMC481 is our PMC487 8-channel high performance audio card.**
- * **PMC481/T01** PMC Audio Card with front and rear I/O
- * **PMC481/T02** PMC Audio Card with front and rear I/O (extended temperature -40°/+85° C)
- * **PMC481/T03** PMC Audio Card with rear I/O only
- * **PIM481-J/T01** PMC I/O Module with four 3.5mm audio jacks for rear I/O
- * **PIM481-DSUB/T01** PMC I/O Module with D-sub for rear I/O



Visit address
Rijnstraat 20
5347 KN Oss

Postal address
P.O. Box 627
5340 AP Oss
The Netherlands

Phone +31 (0)412 64 19 22
Fax +31 (0)412 62 26 40
Internet www.acq.nl
E-mail info@acq.nl

pmc481_v12_ds



Artisan Technology Group is your source for quality new and certified-used/pre-owned equipment

- FAST SHIPPING AND DELIVERY
- TENS OF THOUSANDS OF IN-STOCK ITEMS
- EQUIPMENT DEMOS
- HUNDREDS OF MANUFACTURERS SUPPORTED
- LEASING/MONTHLY RENTALS
- ITAR CERTIFIED SECURE ASSET SOLUTIONS

SERVICE CENTER REPAIRS

Experienced engineers and technicians on staff at our full-service, in-house repair center

*InstraView*SM REMOTE INSPECTION

Remotely inspect equipment before purchasing with our interactive website at www.instraview.com ↗

WE BUY USED EQUIPMENT

Sell your excess, underutilized, and idle used equipment. We also offer credit for buy-backs and trade-ins. www.artisanng.com/WeBuyEquipment ↗

LOOKING FOR MORE INFORMATION?

Visit us on the web at www.artisanng.com ↗ for more information on price quotations, drivers, technical specifications, manuals, and documentation

Contact us: (888) 88-SOURCE | sales@artisanng.com | www.artisanng.com