



Artisan Technology Group is your source for quality new and certified-used/pre-owned equipment

- FAST SHIPPING AND DELIVERY
- TENS OF THOUSANDS OF IN-STOCK ITEMS
- EQUIPMENT DEMOS
- HUNDREDS OF MANUFACTURERS SUPPORTED
- LEASING/MONTHLY RENTALS
- ITAR CERTIFIED SECURE ASSET SOLUTIONS

SERVICE CENTER REPAIRS

Experienced engineers and technicians on staff at our full-service, in-house repair center

*InstraView*SM REMOTE INSPECTION

Remotely inspect equipment before purchasing with our interactive website at www.instraview.com ↗

WE BUY USED EQUIPMENT

Sell your excess, underutilized, and idle used equipment. We also offer credit for buy-backs and trade-ins. www.artisanng.com/WeBuyEquipment ↗

LOOKING FOR MORE INFORMATION?

Visit us on the web at www.artisanng.com ↗ for more information on price quotations, drivers, technical specifications, manuals, and documentation

Contact us: (888) 88-SOURCE | sales@artisanng.com | www.artisanng.com

PS Series Pedestal Post System



- **Highly stable — long-term alignment maintained**
- **Clamping fork secures a pedestal post anywhere on an optical table**
- **Create nearly any height with extension posts and spacers**
- **Index marks for quick height reference**
- **Wide selection of accessories**

The Pedestal Post System enables **ultra-stable mounting** of optical components. Made from precision ground stainless steel, these 1 in. (25.4 mm) diameter posts maintain long-term optical system alignment. Slotted clamping forks secure pedestals anywhere on an optical table.

The PS-B-0.5 and PS-B-1 Pedestal Bases have a 1/4-20 (M6) thru-hole and can be used for turning TPS Series Posts into pedestals.

SS-1-B converts a 1/4-20 (M6) hole into an 8-32 (M4) for mounting components close to the table surface.

The PS-SC Sliding Clamp secures an optical mount at any position and angle along the length of the post. PS-45 Series pedestal adaptors allow Suprema SN100/SS100 series and Ultima U100-A series mirror mounts to be pedestal mounted at a fixed 45 degrees.

An extension of the Pedestal Post system, the PS-Q Pedestal Cube is designed to allow mounting of PS Series Pedestal and Extension Posts at a 90-degree angle enabling the construction of ultra-stable multi-dimensional structures. What makes the Pedestal Cube system unique is its ability to allow alignable stacking of cubes on to posts. This is accomplished by using the PS-Q-A thread adaptor which fits into either of the two counterbores on the cube. The thread adaptor allows the cube to be rotated to the same orientation as any of the cubes below it while also providing a threaded hole on top of the cube for further stacking of posts or other cubes. With this feature, unlike other cubes, the Pedestal Cube can be infinitely stacked while maintaining a common alignment.



Spacers and Table Adaptor



Pedestal Bases have a 1/4-20 (M6) clearance hole for mounting classic Post Holders and TPS Series Posts.

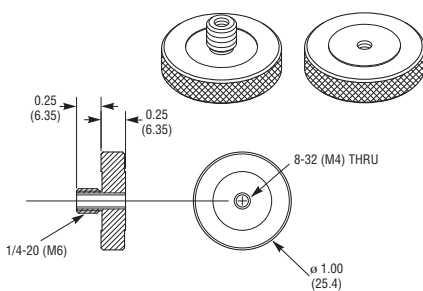


PS-1Z (M-PS-1Z) Magnetic Pedestal Posts

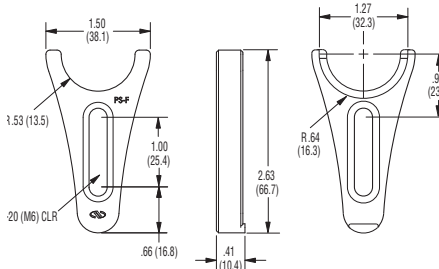


PS-45 Series Pedestal Adaptors

Model SS-1-B



Model PS-F

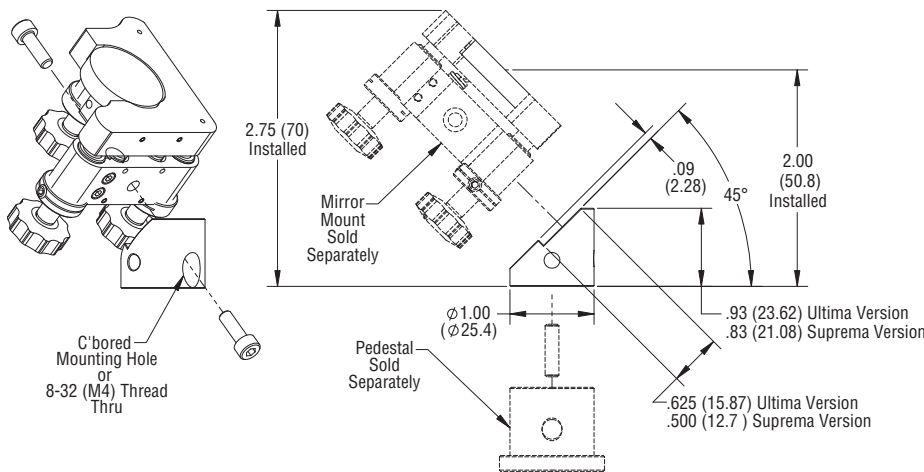


Ordering Information

Model (Metric)	Description	Height [in. (mm)]	Thread
PS-0.5 (M-PS-0.5)		0.5 (12.7)	8-32 (M4)
PS-1 (M-PS-1)		1.0 (25.4)	8-32 (M4)
PS-2 (M-PS-2)	Pedestal Posts	2.0 (50.8)	8-32 (M4)
PS-3 (M-PS-3)		3.0 (76.2)	8-32 (M4)
PS-4 (M-PS-4)		4.0 (101.6)	8-32 (M4)
PS-0.5E (M-PS-0.5E)		0.5 (12.7)	8-32 (M4)
PS-1E (M-PS-1E)		1.0 (25.4)	8-32 (M4)
PS-2E (M-PS-2E)	Extension Posts	2.0 (50.8)	8-32 (M4)
PS-3E (M-PS-3E)		3.0 (76.2)	8-32 (M4)
PS-4E (M-PS-4E)		4.0 (101.6)	8-32 (M4)
PS-0.031			0.031 (0.79)
PS-0.063	Pedestal Post Spacers	0.063 (1.6)	8-32 (M4) CLR
PS-0.125		0.125 (3.2)	8-32 (M4) CLR
PS-0.25		0.25 (6.35)	8-32 (M4) CLR
Pedestal Post Accessories			
PS-B-0.5	Pedestal Base Adaptor	0.5 (12.7)	1/4-20 (M6) CLR
PS-B-1	Pedestal Base Adaptor	1.0 (25.4)	1/4-20 (M6) CLR
PS-1T (M-PS-1T)	Table Adaptors	1.0 (25.4)	1/4-20 to 8-32 (M6 to M4)
PS-1Z (M-PS-1Z)	Magnetic Pedestal Post	1.0 (25.4)	8-32 (M4)
SS-1-B (M-SS-1-B)	Thread Adaptor	0.25 (6.35)	1/4-20 to 8-32 (M6 to M4)
PS-SC (M-PS-SC)	Sliding Clamp		8-32 (M4)
PS-F	Clamping Fork		1/4-20 & M6 Slot
PS-45-SUP (M-PS-45-SUP)	45-Degree Adaptor, Clr, Suprema*		8-32 (M4)
PS-45-SUP-C (M-PS-45-SUP-C)	45-Degree Adaptor, Thd, Suprema*		8-32 (M4)
PS-45-ULT (M-PS-45-ULT)	45-Degree Adaptor, Ultima		8-32 (M4)

*For 1-in. mirror diameter Suprema mounts only

PS-45 Series



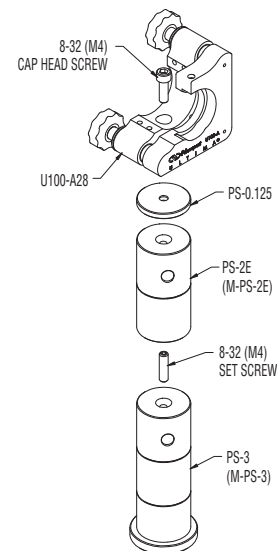
A beam steerer can be built by attaching an extension post to a pedestal post and adding sliding clamps with mirror mounts.



Pedestal Cubes PS-Q and M-PS-Q shown with the Pedestal Cube Thread Adaptor, 8-32.



Pedestal Cubes shown with SUPREMA® Series Kinematic Optical Mounts in a periscope configuration (for mounts see page 863).



Extension posts and spacers can be combined with pedestal posts to match any optical axis height.

MIRROR MOUNTS

LENSES MOUNTS

SPECIALTY OPTICAL MOUNTS

RAIL SYSTEMS

MECHANICAL OPTICS

ACCESSORIES

BASES, BRACKETS AND CLAMPS

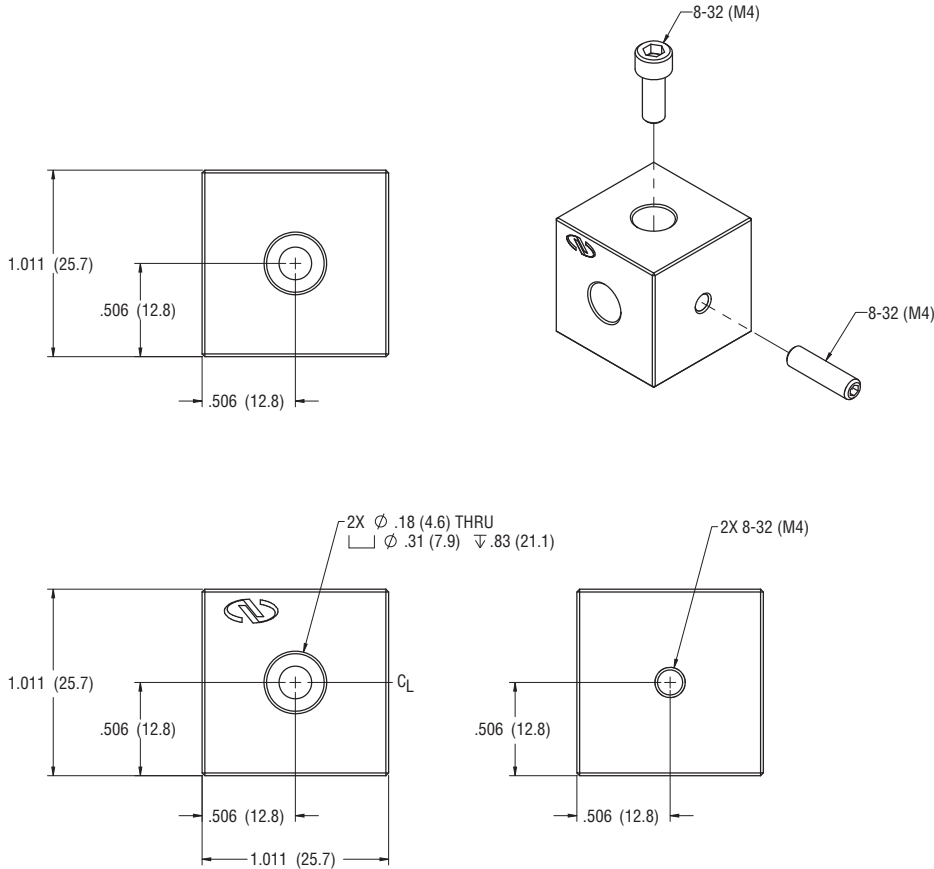
OPTICAL POSTS AND RODS

COMPONENT SETS

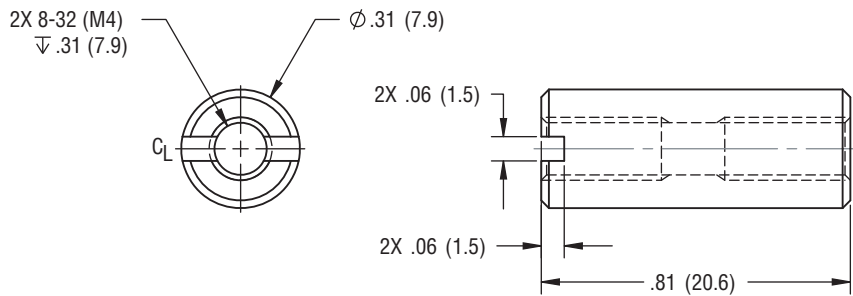
FILTER MOUNTS

MIRROR MOUNTS
LENS MOUNTS
SPECIALTY OPTICAL MOUNTS
RAIL SYSTEMS
MECHANICAL OPTICS
ACCESSORIES
BASES, BRACKETS AND CLAMPS
OPTICAL POSTS AND RODS
COMPONENT SETS
FILTER MOUNTS

PS-Q Pedestal Cube

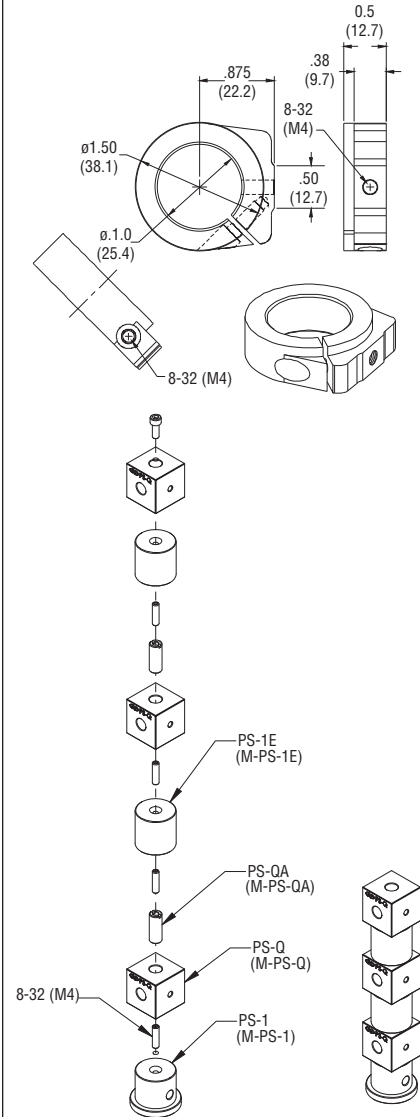


PS-QA Thread Adaptor



See www.newport.com for additional drawings of PS_Series Posts.

Model PS-SC



The Pedestal Cube can be infinitely stacked while maintaining a common alignment by using the PS-QA.

CAD See our website for CAD files

HOLDERS for PS-Series Posts



Q-TMS Series Holders with clamping fork

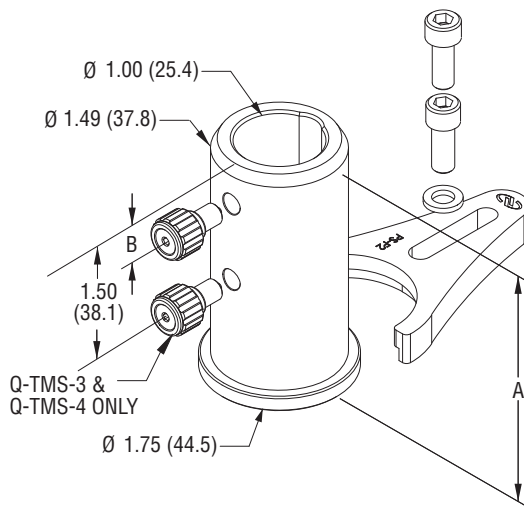
- Allows vertical height adjustment for PS Series Posts
- Clamping fork and mounting hardware included
- Spring-loaded thumb screw for one-handed operation

The Q-TMS Series Post Holders provide a means to hold and adjust the PS series Pedestal and Extension Posts. Available in six different lengths, all Q-TMS post holders include a clamping fork to allow mounting anywhere on an optical table.

Ordering Information

Model	Description
Q-TMS-0.75	Holders for PS-Series Posts, with Clamping Fork, 0.75 in., For Post Dia. 1 in.
Q-TMS-1	Holders for PS-Series Posts, with Clamping Fork, 1 in., For Post Dia. 1 in.
Q-TMS-1.5	Holders for PS-Series Posts, with Clamping Fork, 1.5 in., For Post Dia. 1 in.
Q-TMS-2	Holders for PS-Series Posts, with Clamping Fork, 2 in., For Post Dia. 1 in.
Q-TMS-3	Holders for PS-Series Posts, with Clamping Fork, 3 in., For Post Dia. 1 in.
Q-TMS-4	Holders for PS-Series Posts, with Clamping Fork, 4 in., For Post Dia. 1 in.

English and metric mounting hardware included with each model



Q-TMS Series Holders for Pedestal Posts

Model	Dimensions [in. (mm)]	
	A	B
Q-TMS-0.75	.75 (19.1)	0.28 (7.1)
Q-TMS-1	1.0 (25.4)	0.28 (7.1)
Q-TMS-1.5	1.5 (38.1)	0.50 (12.7)
Q-TMS-2	2.0 (50.8)	0.50 (12.7)
Q-TMS-3	3.0 (76.2)	0.50 (12.7)
Q-TMS-4	4.0 (101.6)	0.50 (12.7)



Q-TMS Series Holders for Pedestal Posts include clamping fork (PS Pedestal Post sold separately)



These holders are ideal for the Aegis Qube beam routing system.

MIRROR MOUNTS
LENS MOUNTS
SPECIALTY OPTICAL MOUNTS
RAIL SYSTEMS
MECHANICAL OPTICS
ACCESSORIES
BASES, BRACKETS AND CLAMPS
OPTICAL POSTS AND RODS
COMPONENT SETS
FILTER MOUNTS



Artisan Technology Group is your source for quality new and certified-used/pre-owned equipment

- FAST SHIPPING AND DELIVERY
- TENS OF THOUSANDS OF IN-STOCK ITEMS
- EQUIPMENT DEMOS
- HUNDREDS OF MANUFACTURERS SUPPORTED
- LEASING/MONTHLY RENTALS
- ITAR CERTIFIED SECURE ASSET SOLUTIONS

SERVICE CENTER REPAIRS

Experienced engineers and technicians on staff at our full-service, in-house repair center

*InstraView*SM REMOTE INSPECTION

Remotely inspect equipment before purchasing with our interactive website at www.instraview.com ↗

WE BUY USED EQUIPMENT

Sell your excess, underutilized, and idle used equipment. We also offer credit for buy-backs and trade-ins. www.artisanng.com/WeBuyEquipment ↗

LOOKING FOR MORE INFORMATION?

Visit us on the web at www.artisanng.com ↗ for more information on price quotations, drivers, technical specifications, manuals, and documentation

Contact us: (888) 88-SOURCE | sales@artisanng.com | www.artisanng.com