



## Artisan Technology Group is your source for quality new and certified-used/pre-owned equipment

- FAST SHIPPING AND DELIVERY
- TENS OF THOUSANDS OF IN-STOCK ITEMS
- EQUIPMENT DEMOS
- HUNDREDS OF MANUFACTURERS SUPPORTED
- LEASING/MONTHLY RENTALS
- ITAR CERTIFIED SECURE ASSET SOLUTIONS

### SERVICE CENTER REPAIRS

Experienced engineers and technicians on staff at our full-service, in-house repair center

### *InstraView*<sup>SM</sup> REMOTE INSPECTION

Remotely inspect equipment before purchasing with our interactive website at [www.instraview.com](http://www.instraview.com) ↗

### WE BUY USED EQUIPMENT

Sell your excess, underutilized, and idle used equipment. We also offer credit for buy-backs and trade-ins. [www.artisanng.com/WeBuyEquipment](http://www.artisanng.com/WeBuyEquipment) ↗

### LOOKING FOR MORE INFORMATION?

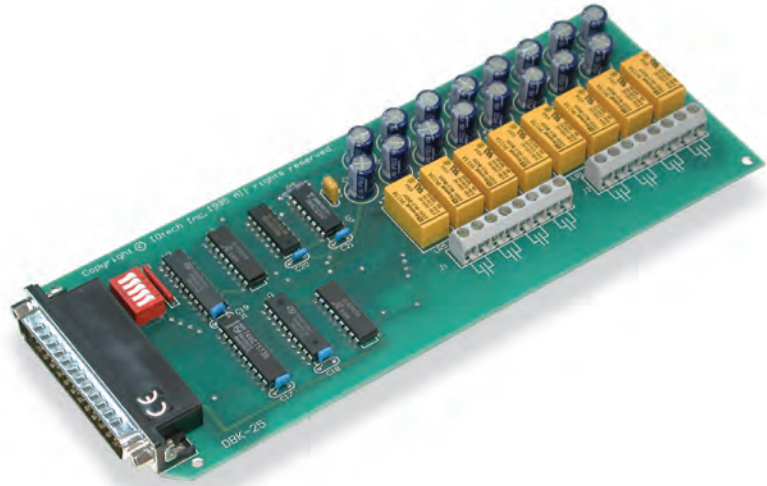
Visit us on the web at [www.artisanng.com](http://www.artisanng.com) ↗ for more information on price quotations, drivers, technical specifications, manuals, and documentation

**Contact us:** (888) 88-SOURCE | [sales@artisanng.com](mailto:sales@artisanng.com) | [www.artisanng.com](http://www.artisanng.com)

### Features

- Provides eight independent relay contact outputs
- Requires minimal system power
- Ideal for controlling external relay coils and solenoids

The DBK25 8-channel relay-output card provides IOtech's data acquisition systems with eight fully independent relay contact outputs. Because the DBK25 is designed for use in portable as well as desktop applications, it employs miniature latch relays that draw power only when changing states, i.e., when changing from off-to-on or from on-to-off. This minimal power consumption makes the DBK25 ideal for applications that rely on battery power. The DBK25 relay contacts are rated for 2A at 28 VDC or 0.6A at 120 VAC. As many as 24 DBK25s can be used in one system to obtain 192 outputs.



*The DBK25 provides eight fully independent relay contact outputs*

### Specifications

**Connectors:** DB37 male, mates with P2\*<sup>†</sup>; screw terminals for signal outputs

**Number of Channels:** 8

**Max. Number of Cards:** 32

**Contact Rating:**  
2 A @ 28 VDC &  
0.6 A @ 120 VAC

**Isolation**

Channel-to-System: 250V

Channel-to-Channel: 150V

**Power Consumption:** 10 mW

### Ordering Information

**Description**  
8-channel relay output card

**Part No.**  
DBK25

### Cables

For use with DBK10, use CA-37-x ribbon cable, or contact factory for additional cabling options

For use with DBK60 or LogBook/360, no cable is required (except from DBK60 or LogBook/360 to the A/D mainframe)

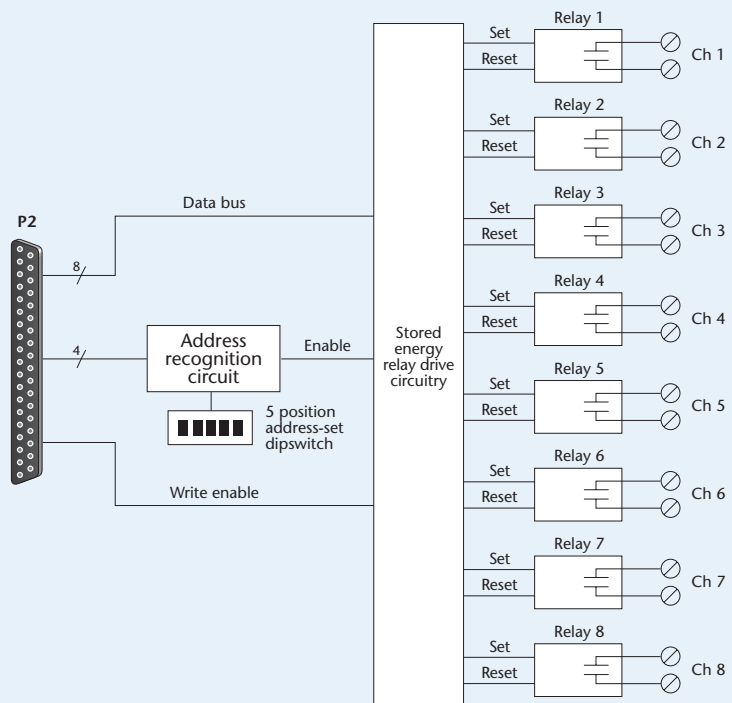
For use with no enclosure, use CA-37-x where x is the number of DBK devices attached

For use with DaqLab Series (internal slots), use CA-255-2T with one board, or CA-37-2 for use with two DBK cards (or contact factory for additional cabling options)

### Product Compatibility

- ✓ LogBook
- ✓ DaqBook
- ✓ DaqLab
- ✓ DaqScan
- ✓ DaqBoard/2000 Series

### DBK25 Relay-Output Card Block Diagram



\* Attachment to the DaqBoard/2000 Series requires a DBK202, DBK203A, DBK209, DBK213, or DBK214



## Artisan Technology Group is your source for quality new and certified-used/pre-owned equipment

- FAST SHIPPING AND DELIVERY
- TENS OF THOUSANDS OF IN-STOCK ITEMS
- EQUIPMENT DEMOS
- HUNDREDS OF MANUFACTURERS SUPPORTED
- LEASING/MONTHLY RENTALS
- ITAR CERTIFIED SECURE ASSET SOLUTIONS

### SERVICE CENTER REPAIRS

Experienced engineers and technicians on staff at our full-service, in-house repair center

### *InstraView*<sup>SM</sup> REMOTE INSPECTION

Remotely inspect equipment before purchasing with our interactive website at [www.instraview.com](http://www.instraview.com) ↗

### WE BUY USED EQUIPMENT

Sell your excess, underutilized, and idle used equipment. We also offer credit for buy-backs and trade-ins. [www.artisanng.com/WeBuyEquipment](http://www.artisanng.com/WeBuyEquipment) ↗

### LOOKING FOR MORE INFORMATION?

Visit us on the web at [www.artisanng.com](http://www.artisanng.com) ↗ for more information on price quotations, drivers, technical specifications, manuals, and documentation

**Contact us:** (888) 88-SOURCE | [sales@artisanng.com](mailto:sales@artisanng.com) | [www.artisanng.com](http://www.artisanng.com)