



## Artisan Technology Group is your source for quality new and certified-used/pre-owned equipment

- FAST SHIPPING AND DELIVERY
- TENS OF THOUSANDS OF IN-STOCK ITEMS
- EQUIPMENT DEMOS
- HUNDREDS OF MANUFACTURERS SUPPORTED
- LEASING/MONTHLY RENTALS
- ITAR CERTIFIED SECURE ASSET SOLUTIONS

### SERVICE CENTER REPAIRS

Experienced engineers and technicians on staff at our full-service, in-house repair center

### *InstraView*<sup>SM</sup> REMOTE INSPECTION

Remotely inspect equipment before purchasing with our interactive website at [www.instraview.com](http://www.instraview.com) ↗

### WE BUY USED EQUIPMENT

Sell your excess, underutilized, and idle used equipment. We also offer credit for buy-backs and trade-ins. [www.artisanng.com/WeBuyEquipment](http://www.artisanng.com/WeBuyEquipment) ↗

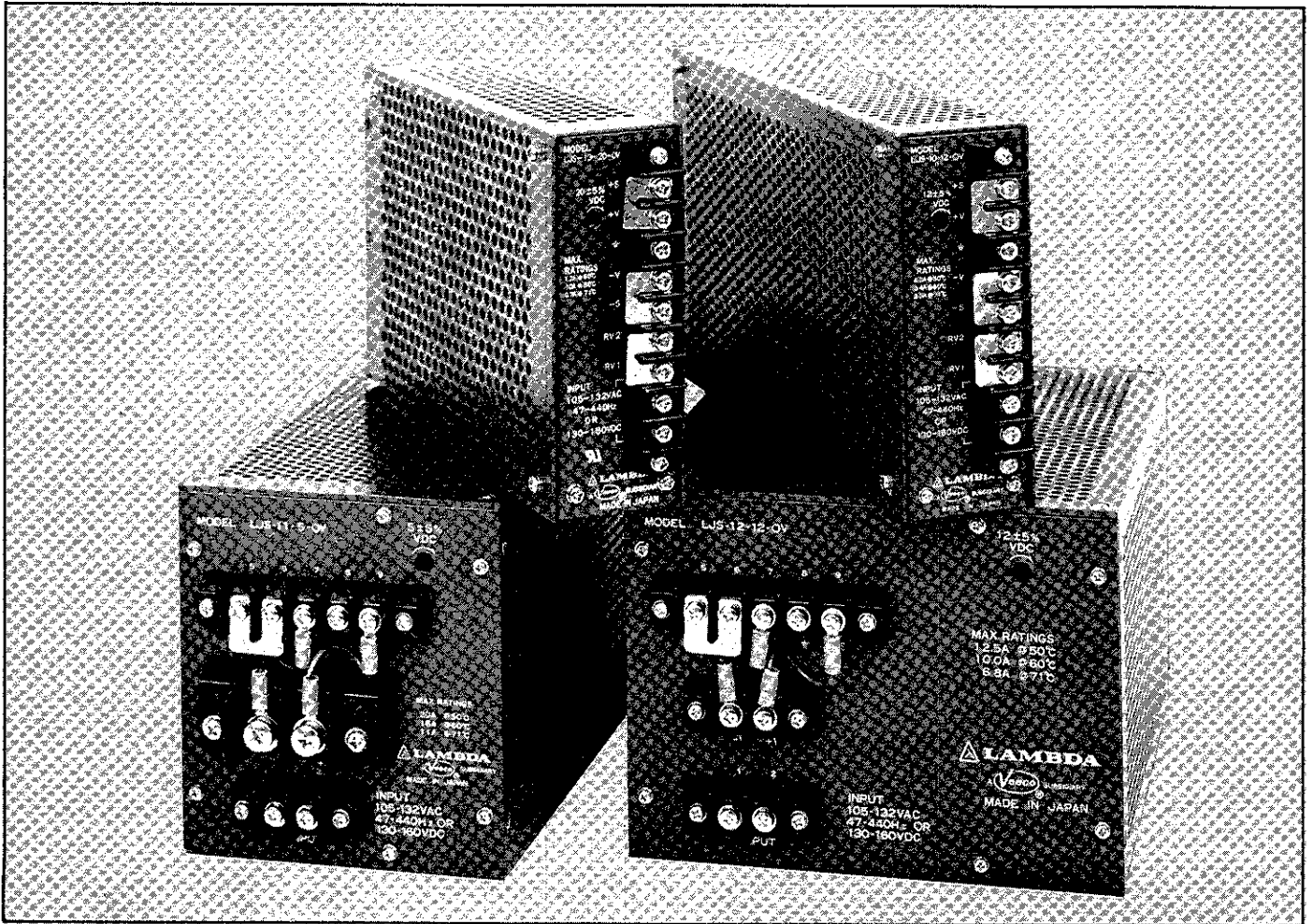
### LOOKING FOR MORE INFORMATION?

Visit us on the web at [www.artisanng.com](http://www.artisanng.com) ↗ for more information on price quotations, drivers, technical specifications, manuals, and documentation

**Contact us:** (888) 88-SOURCE | [sales@artisanng.com](mailto:sales@artisanng.com) | [www.artisanng.com](http://www.artisanng.com)

5 YEAR GUARANTEED SWITCHING

# Lambda LJ and LJA series



## Features — LJ and LJA series

### DC Input

145 VDC  $\pm 10\%$

### 42-58 VDC

("D" models only)

5-year guaranteed switching power supplies

57 models, 12 packages starting from 5V @ 5 amp

Efficiency 70%

AC input 105-132 VAC or 187-265 VAC (LJA Series)

Lambda engineering assures performance reproducibility and power supplies are designed for large volume production

Lambda built-in hybrid overvoltage protector shuts down inverters and crowbars output voltage

Isolated remote turn-on turn-off capability (LJ models only)

Serviceability-designed for ease of field repair

Rugged convection-cooled chassis

Heavy-duty barrier strip

**RU** Recognized ("D" option under evaluation)

CSA Certified ("D" option and "AV" option under evaluation)

# Specifications of LJ and LJA series

## DC Output

Voltage range: refer to tables

regulation, line ..... 0.4% for line variations from 105-132 VAC.

regulation, load ..... 0.4% for load variations from 0 to full load.

remote programming resistance ..... 1000 ohms/volt nominal

remote programming voltage ..... volt/volt

ripple and noise ..... 10 mV RMS, 50 mV p-p for 5 V and 6 V models; 15 mV RMS, 100 mV p-p for 12 V to 28 V

temperature coefficient ..... 0.03%/°C

## AC Input

line ..... 105-132 VAC 47-440 Hz

hold-up time ..... 16 msec min at low line and full load,  $V_o$  max.

## DC Input

145 VDC  $\pm$  10% (not for V option units).

42-58 VDC "D" models only.

## Overshoot

No overshoot on turn-on, turn-off, or power failure.

## Efficiency

Greater than 70% (60% for LJS-13 and LJS-13A).

## Ambient Operating Temperature Range

Continuous duty from 0°C to 71°C with load current ratings as shown in tables. No derating 0° to 50°C.

## Storage Temperature Range

-55°C to 85°C.

## Overload Protection

### ELECTRICAL

External overload protection: automatic factory preset electronic current limiting circuit limits the output current thereby providing protection for the load as well as the power supply.

Internal failure protection: provided by fuse.

## Input and Output Connections

Heavy duty terminal block on front of chassis.

## Controls

### DC output controls.

Simple screwdriver voltage adjustment over the voltage range.

## Remote Sensing

Provision is made for remote sensing to eliminate effect of power output lead resistance on DC regulation.

## Remote Shutdown

Capability of remote on-off control for either positive ground or negative ground output. (not on LJA models).

## Overvoltage Protection

Built in fixed overvoltage protection on all model outputs.

## Mounting

One mounting surface.

## Options

### AC Input

(LJA models only)

Model No.	For Operation at:	Price	Price	Price
		Qty. 114	Mixed Models Qty. 15 and up	Single Model Qty. 15 and up
—AV	187-265 VAC 47-440 Hz	12% or \$30**	12% or \$30**	10% or \$30**

\*For example: LJ-13-AV \*\*Whichever is greater.

See Physical Data below. The LJA and LJ-12 "V" option supplies sizes are larger than equivalent standard power supplies.

## Physical Data

Package Model	Weight net (lbs)	Ship (lbs)	Size (inches)
LJ-13	1.6	2.4	4-3/4 × 1-25/32 × 6-5/16
LJ-13-AV	1.5	2.4	1-21/32 × 4-17/32 × 7-31/64
LJS-13A	1.5	2.4	4-17/32 × 1-11/16 × 7-13/64
LJ-10	2.0	3.0	4-3/4 × 1-25/32 × 7-7/8
LJ-10-AV	1.7	2.7	1-31/32 × 4-17/32 × 8-21/32
LJS-10A	1.7	2.7	4-17/32 × 2-3/64 × 7-13/64
LJ-11	5.5	6.3	4-3/4 × 4-5/16 × 7-15/16
LJ-11-AV	3.75	5.0	3-9/64 × 4-17/32 × 8-21/32
LJS-11A	3.75	5.0	4-17/32 × 3-63/64 × 7-13/64
LJ-12	7.0	7.5	4-3/4 × 6-1/4 × 7-15/16
LJ-12-AV	5.5	6.75	4-17/32 × 4-19/32 × 8-21/32
LJS-12A	5.5	6.75	4-17/32 × 6-7/32 × 7-13/64

## Finish

Gray, Fed. Std. 595 No. 26081.

## Guaranteed for 5 Years

5 year guarantee includes labor as well as parts. Guarantee applies to operation at full published specifications at end of 5 years.

## Recognized ("D" option under evaluation)

CSA Certified ("D" option and "AV" option under evaluation)

# 5 year guaranteed switching selector guide

## AC input, single output fixed voltage

### Models LR, LGA, LJ and LJA

MODEL	REGULATION (line, load)	RIPPLE (mV RMS)	MAX AMPS AT AMBIENT OF				COMPLETE ELECT. SPEC. PG	PKG. SIZE	DIMENSIONS (inches)	COMPLETE MECH. SPEC. PG	PRICE
			40°C	50°C	60°C	71°C					
<b>5 VOLTS ±5% ADJ.</b>											
LJS-13-5-OV	0.4%, 0.4%	10	5.0	5.0	4.0	2.8	13	13	4-3/4 x 1-25/32 x 6-5/16	112	\$221
LJS-13A-5-OV	0.4%, 0.4%	10	10.0	10.0	7.0	4.0	13	13A	4-17/32 x 1-11/16 x 7-13/64	111	246
LJS-10-5-OV	0.4%, 0.4%	10	10.0	10.0	8.0	5.5	13	10	4-3/4 x 1-25/32 x 7-7/8	112	315
LJS-10A-5-OV	0.4%, 0.4%	10	15.0	15.0	10.5	6.0	13	10A	4-17/32 x 2-3/64 x 7-13/64	111	283
LJS-11-5-OV	0.4%, 0.4%	10	20.0	20.0	16.0	11.0	13	11	4-3/4 x 4-5/16 x 7-15/16	112	393
LJS-11A-5-OV	0.4%, 0.4%	10	25.0	25.0	17.5	10.0	13	11A	4-17/32 x 3-63/64 x 7-13/64	110	387
LJS-12-5-OV	0.4%, 0.4%	10	30.0	30.0	24.0	16.5	13	12	4-3/4 x 6-1/4 x 7-15/16	112	475
LJS-12A-5-OV	0.4%, 0.4%	10	38.0	38.0	26.6	15.2	13	12A	4-17/32 x 6-7/32 x 7-13/64	111	490
<b>6 VOLTS ±5% ADJ.</b>											
LJS-13A-6-OV	0.4%, 0.4%	10	8.5	8.5	6.0	3.4	13	13A	4-17/32 x 1-11/16 x 7-13/64	111	246
LJS-10A-6-OV	0.4%, 0.4%	10	13.0	12.0	9.1	5.20	13	10A	4-17/32 x 2-3/64 x 7-13/64	111	283
LJS-11-6-OV	0.4%, 0.4%	10	16.7	16.7	13.3	9.20	13	11	4-3/4 x 4-5/16 x 7-15/16	112	393
LJS-12A-6-OV	0.4%, 0.4%	10	32.0	32.0	22.4	12.8	13	12A	4-17/32 x 6-7/32 x 7-13/64	111	490
<b>12 VOLTS ±5% ADJ.</b>											
LJS-13-12-OV	0.4%, 0.4%	15	2.0	2.0	1.7	1.1	13	13	4-3/4 x 1-25/32 x 6-5/16	112	221
LJS-10-12-OV	0.4%, 0.4%	15	4.2	4.2	3.4	2.3	13	10	4-3/4 x 1-25/32 x 7-7/8	112	315
LJS-13A-12-OV	0.4%, 0.4%	15	5.0	5.0	3.5	2.0	13	13A	4-17/32 x 2-3/64 x 7-13/64	111	246
LJS-10A-12-OV	0.4%, 0.4%	15	6.8	6.8	4.7	2.7	13	10A	4-17/32 x 2-3/64 x 7-13/64	111	283
LJS-11-12-OV	0.4%, 0.4%	15	8.3	8.3	6.6	4.5	13	11	4-3/4 x 4-5/16 x 7-15/16	112	393
LJS-11A-12-OV	0.4%, 0.4%	15	11.5	11.5	8.0	4.6	13	11A	4-17/32 x 3-63/64 x 7-13/64	110	387
LJS-12-12-OV	0.4%, 0.4%	15	12.5	12.5	10.0	6.85	13	12	4-3/4 x 6-1/4 x 7-15/16	112	475
LJS-12A-12-OV	0.4%, 0.4%	15	17.0	17.0	11.9	6.8	13	12A	4-17/32 x 6-7/32 x 7-13/64	111	490
<b>15 VOLTS ±5% ADJ.</b>											
LJS-13-15-OV	0.4%, 0.4%	15	1.6	1.6	1.3	0.9	13	13	4-3/4 x 1-25/32 x 6-5/16	112	221
LJS-10-15-OV	0.4%, 0.4%	15	3.3	3.3	2.6	1.8	13	10	4-3/4 x 1-25/32 x 7-7/8	112	315
LJS-13A-15-OV	0.4%, 0.4%	15	4.0	4.0	2.8	1.6	13	13A	4-17/32 x 1-11/16 x 7-13/64	111	246
LJS-10A-15-OV	0.4%, 0.4%	15	5.5	5.5	3.8	2.2	13	10A	4-17/32 x 2-3/64 x 7-13/64	111	283
LJS-11-15-OV	0.4%, 0.4%	15	6.7	6.7	5.3	3.7	13	11	4-3/4 x 4-5/16 x 7-15/16	112	393
LJS-11A-15-OV	0.4%, 0.4%	15	9.4	9.4	6.5	3.7	13	11A	4-17/32 x 3-63/64 x 7-13/64	110	387
LJS-12-15-OV	0.4%, 0.4%	15	10.0	10.0	8.0	5.5	13	12	4-3/4 x 6-1/4 x 7-15/16	112	475
LJS-12A-15-OV	0.4%, 0.4%	15	14.0	14.0	9.8	5.6	13	12A	4-17/32 x 6-7/32 x 7-13/64	111	490

# 5-year guaranteed switching selector guide

AC input, single output fixed voltage  
Models LR, LGA, LJ and LJA

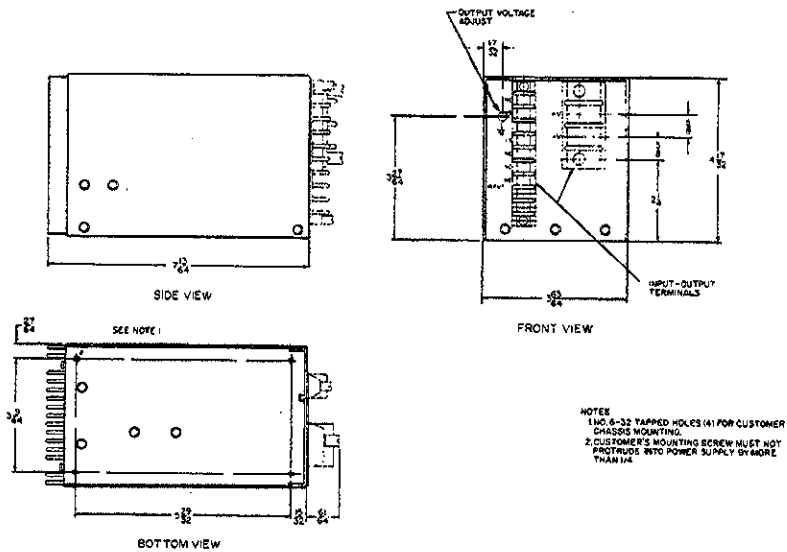
MODEL	REGULATION (line, load)	RIPPLE (mV RMS)	MAX AMPS AT AMBIENT OF				COMPLETE ELECT. SPEC. PG.	PKG. SIZE	DIMENSIONS (inches)	COMPLETE MECH. SPEC. PG.	PRICE
			40°C	50°C	60°C	71°C					
<b>20 VOLTS ± 5% ADJ.</b>											
LJS-12A-20-OV	0.4%, 0.4%	15	10.6	10.6	7.4	4.2	13	12A	4-17/32 x 6-7/32 x 7-13/64	111	490
<b>24 VOLTS ± 5% ADJ.</b>											
LJS-13-24-OV	0.4%, 0.4%	15	1.0	1.0	0.8	0.6	13	13	4-3/4 x 1-25/32 x 6-5/16	112	221
LJS-10-24-OV	0.4%, 0.4%	15	2.1	2.1	1.7	1.2	13	10	4-3/4 x 1-25/32 x 7-7/8	112	315
LJS-13A-24-OV	0.4%, 0.4%	15	3.0	3.0	2.1	1.2	13	13A	4-17/32 x 1-11/16 x 7-13/64	111	246
LJS-10A-24-OV	0.4%, 0.4%	15	3.6	3.6	2.5	1.4	13	10A	4-17/32 x 2-3/64 x 7-13/64	111	283
LJS-11-24-OV	0.4%, 0.4%	15	4.2	4.2	3.3	2.3	13	11	4-3/4 x 4-5/16 x 7-15/16	112	393
LJS-11A-24-OV	0.4%, 0.4%	15	5.8	5.8	4.0	2.3	13	11A	4-17/32 x 3-63/64 x 7-13/64	110	387
LJS-12-24-OV	0.4%, 0.4%	15	6.3	6.3	5.0	3.4	13	12	4-3/4 x 6-1/4 x 7-15/16	112	475
LJS-12A-24-OV	0.4%, 0.4%	15	9.0	9.0	6.3	3.6	13	12A	4-17/32 x 6-7/32 x 7-13/64	111	490
<b>28 VOLTS ± 5% ADJ.</b>											
LJS-13-28-OV	0.4%, 0.4%	15	0.9	0.9	0.7	0.5	13	13	4-3/4 x 1-25/32 x 6-5/16	112	221
LJS-10-28-OV	0.4%, 0.4%	15	2.8	1.8	1.4	1.0	13	15	4-3/4 x 1-25/32 x 7-7/8	112	315
LJS-13A-28-OV	0.4%, 0.4%	15	2.5	2.5	1.8	1.0	13	13A	4-17/32 x 1-11/16 x 7-13/64	111	246
LJS-10A-28-OV	0.4%, 0.4%	15	3.1	3.1	2.1	1.2	13	10A	4-17/32 x 2-3/64 x 7-13/64	111	283
LJS-11-28-OV	0.4%, 0.4%	15	3.6	3.6	2.9	2.0	13	11	4-3/4 x 4-5/16 x 7-15/16	112	393
LJS-11A-28-OV	0.4%, 0.4%	15	5.0	5.0	3.5	2.0	13	11A	4-17/32 x 3-63/64 x 7-13/64	110	387
LJS-12-28-OV	0.4%, 0.4%	15	5.4	5.4	4.3	3.0	13	12	4-3/4 x 6-1/4 x 7-15/16	112	475
LJS-12A-28-OV	0.4%, 0.4%	15	7.8	7.8	5.4	3.1	13	12A	4-17/32 x 6-7/32 x 7-13/64	111	490

# PART IV— DIMENSIONAL DRAWINGS

## LGS-FA and LJS-11A POWER SUPPLIES

---

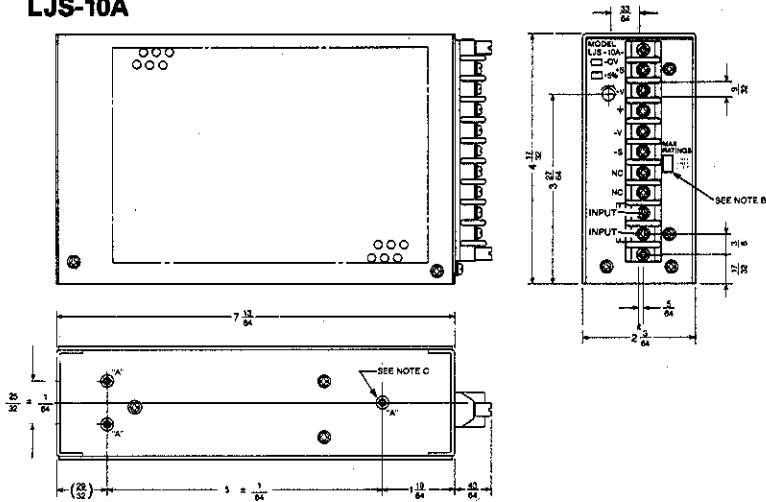
### LJS-11A Series





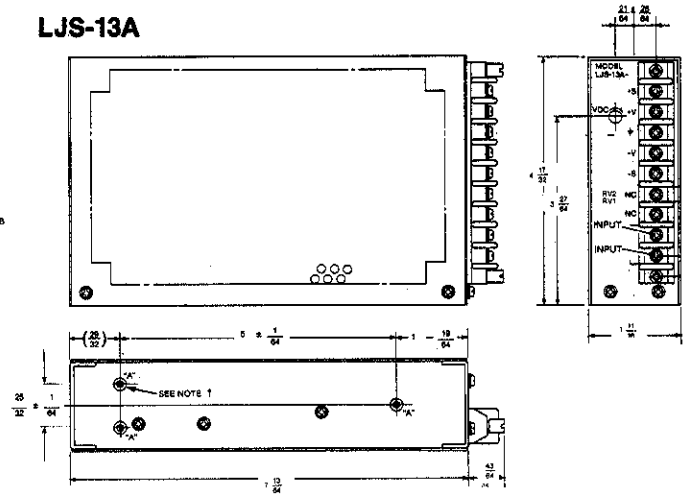
# PART IV—DIMENSIONAL DRAWINGS LJS AND LJA SERIES POWER SUPPLIES

**LJS-10A**



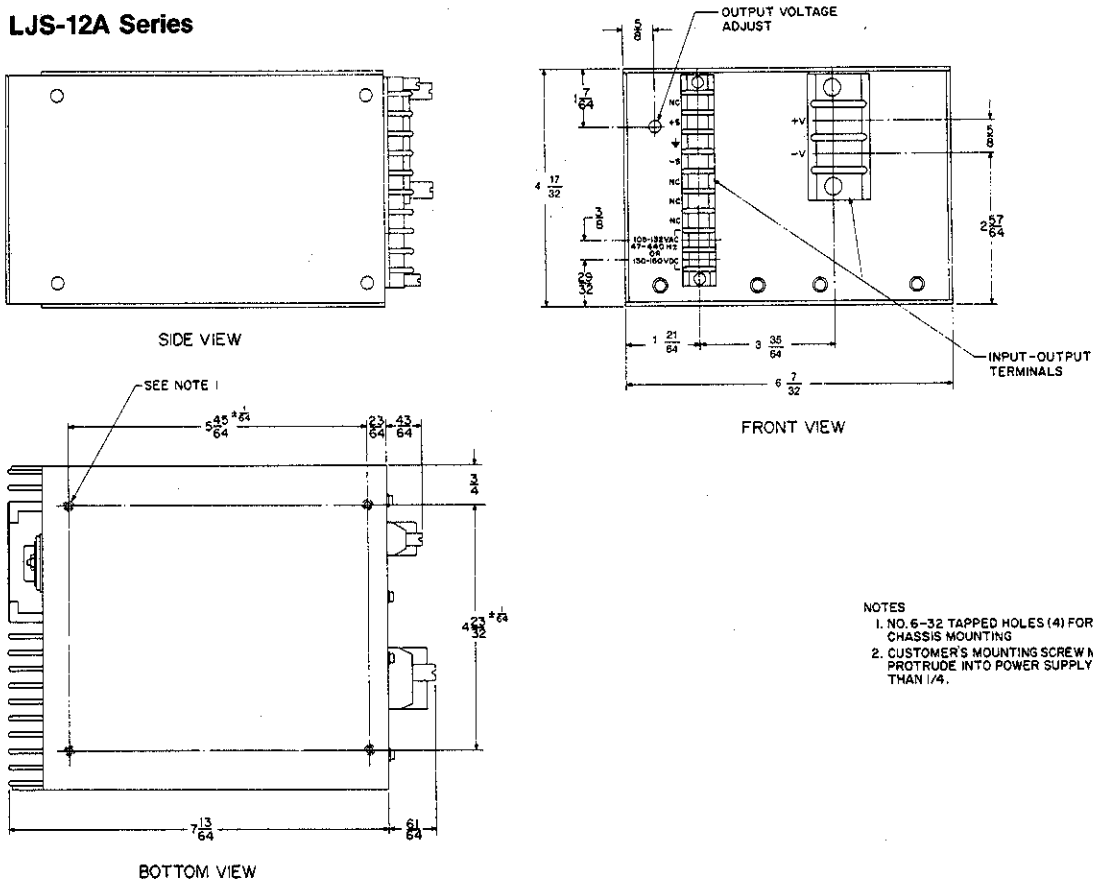
- NOTE**
1. No. 6-32 Tapped Holes (3) for customer chassis mounting.
  2. Customer's mounting screw must not protrude into power supply by more than 1/4".

**LJS-13A**



- NOTE**
1. No. 6-32 Tapped Holes (3) for customer chassis mounting.
  2. Customer's mounting screw must not protrude into power supply by more than 1/4".

**LJS-12A Series**



- NOTES**
1. NO. 6-32 TAPPED HOLES (4) FOR CUSTOMER CHASSIS MOUNTING
  2. CUSTOMER'S MOUNTING SCREW MUST NOT PROTRUDE INTO POWER SUPPLY BY MORE THAN 1/4".

# PART IV—DIMENSIONAL DRAWINGS

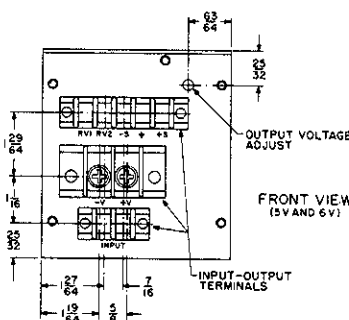
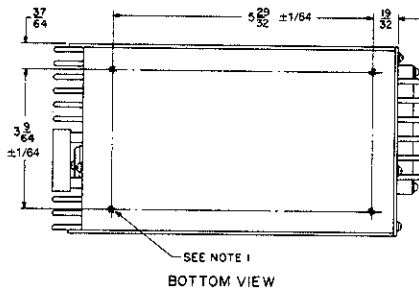
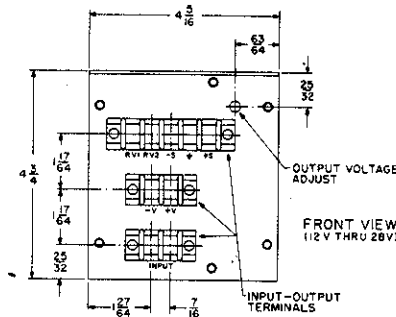
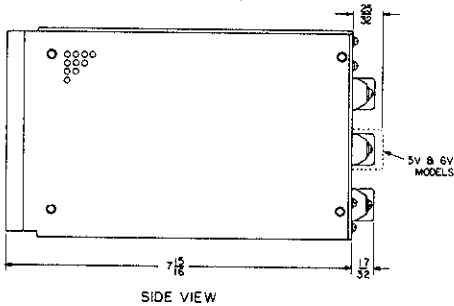
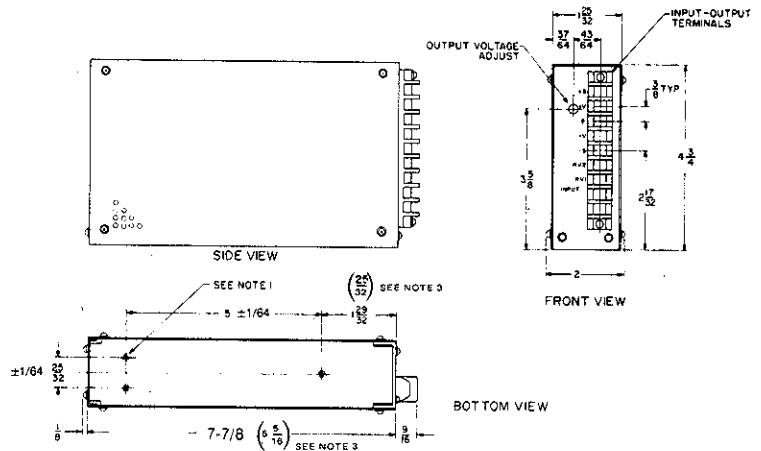
## MODULAR SUPPLIES PACKAGE SIZES 10, 11, 12 AND 13

### LJS-10 Series LJS-13 Series

**NOTES**

1. NO. 6-32 TAPPED HOLES (3) FOR CUSTOMER CHASSIS MOUNTING.
2. CUSTOMER'S MOUNTING SCREW MUST NOT PROTRUDE INTO POWER SUPPLY BY MORE THAN 1/4".
3. ( ) = THESE DIMENSIONS APPLICABLE TO LJS-13 SERIES ONLY.

TERMINAL STRIP SCREWS  
M3 X 6L (.118 DIA X .236 L)

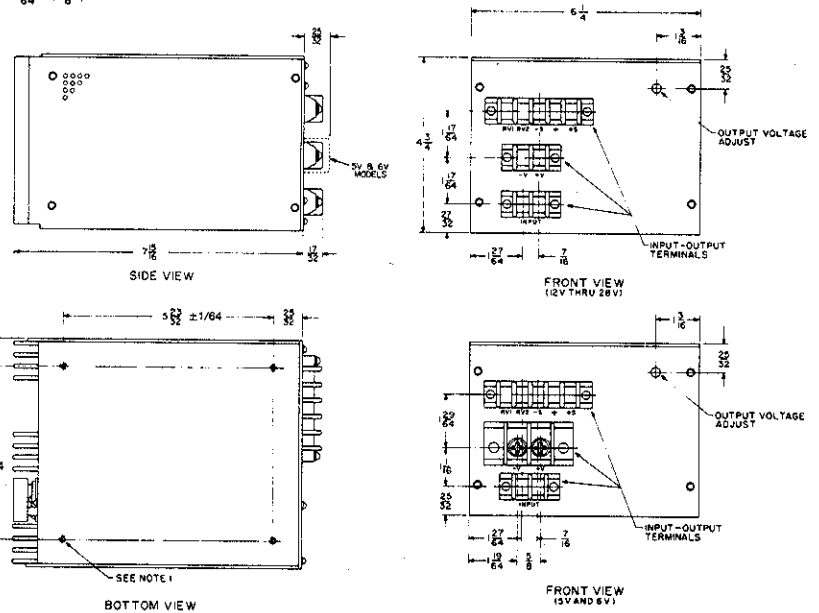


### LJS-11 Series

**NOTES**

1. NO. 6-32 TAPPED HOLES (4) FOR CUSTOMER CHASSIS MOUNTING.
2. CUSTOMER'S MOUNTING SCREW MUST NOT PROTRUDE INTO POWER SUPPLY BY MORE THAN 1/4".

TERMINAL STRIP SCREWS  
M3 X 6L (.118 DIA X .236 L)  
MODELS LJS-11-5 OV & -6 OV  
M5 X 12 L (.187 DIA X .472 L)

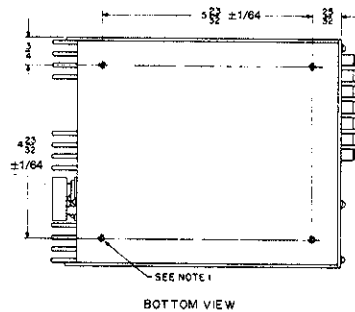


### LJS-12 Series

**NOTES**

1. NO. 6-32 TAPPED HOLES (4) FOR CUSTOMER CHASSIS MOUNTING.
2. CUSTOMER'S MOUNTING SCREW MUST NOT PROTRUDE INTO POWER SUPPLY BY MORE THAN 1/4".

TERMINAL STRIP SCREWS  
M5 X 6L (.118 DIA X .236 L)  
MODELS LJS-12-5 OV & -6 OV  
M5 X 12 L (.187 DIA X .472 L)









## Artisan Technology Group is your source for quality new and certified-used/pre-owned equipment

- FAST SHIPPING AND DELIVERY
- TENS OF THOUSANDS OF IN-STOCK ITEMS
- EQUIPMENT DEMOS
- HUNDREDS OF MANUFACTURERS SUPPORTED
- LEASING/MONTHLY RENTALS
- ITAR CERTIFIED SECURE ASSET SOLUTIONS

### SERVICE CENTER REPAIRS

Experienced engineers and technicians on staff at our full-service, in-house repair center

### *InstraView*<sup>SM</sup> REMOTE INSPECTION

Remotely inspect equipment before purchasing with our interactive website at [www.instraview.com](http://www.instraview.com) ↗

### WE BUY USED EQUIPMENT

Sell your excess, underutilized, and idle used equipment. We also offer credit for buy-backs and trade-ins. [www.artisanng.com/WeBuyEquipment](http://www.artisanng.com/WeBuyEquipment) ↗

### LOOKING FOR MORE INFORMATION?

Visit us on the web at [www.artisanng.com](http://www.artisanng.com) ↗ for more information on price quotations, drivers, technical specifications, manuals, and documentation

**Contact us:** (888) 88-SOURCE | [sales@artisanng.com](mailto:sales@artisanng.com) | [www.artisanng.com](http://www.artisanng.com)