



Artisan Technology Group is your source for quality new and certified-used/pre-owned equipment

- FAST SHIPPING AND DELIVERY
- TENS OF THOUSANDS OF IN-STOCK ITEMS
- EQUIPMENT DEMOS
- HUNDREDS OF MANUFACTURERS SUPPORTED
- LEASING/MONTHLY RENTALS
- ITAR CERTIFIED SECURE ASSET SOLUTIONS

SERVICE CENTER REPAIRS

Experienced engineers and technicians on staff at our full-service, in-house repair center

*InstraView*SM REMOTE INSPECTION

Remotely inspect equipment before purchasing with our interactive website at www.instraview.com ↗

WE BUY USED EQUIPMENT

Sell your excess, underutilized, and idle used equipment. We also offer credit for buy-backs and trade-ins. www.artisanng.com/WeBuyEquipment ↗

LOOKING FOR MORE INFORMATION?

Visit us on the web at www.artisanng.com ↗ for more information on price quotations, drivers, technical specifications, manuals, and documentation

Contact us: (888) 88-SOURCE | sales@artisanng.com | www.artisanng.com

Flexible Fiber Optic Thermometer for R&D Environments

Field Proven Fiber Optic Sensors

The FOT Lab Kit is a 4-channel fiber optic thermometry system that allows users to measure temperature where conventional sensors fail. LumaSense Technologies' patented technology, known as Fluoroptic® Thermometry (FOT), offers probes that are totally immune to electromagnetic interference (EMI) and entirely non-metallic in construction. These qualities make FOT instruments perfectly suited for measuring temperature in harsh environments often encountered during research, such as high voltages and strong radio frequencies (RF).

Flexible, Easy to Use

The FOT Lab Kit includes a Fluoroptic® thermometer shielded in a metal enclosure, universal power supply, RS-232 cable, users manual and compact carrying case.

Data is logged with any terminal program (such as Microsoft Windows® Hyperterminal) or with the optional TrueTemp graphing and data capture PC software. The FOT Lab Kit interfaces with data acquisition devices through the analog output (0-10VDC or 4-20mA) or the RS-232 digital port.

Compatible with Every Application

A wide variety of probe configurations (immersion, surface and remote) are available for specific measurement applications. Available probes are shown in the Probe and Accessories data sheet. These unique fiber optic probes are non-metallic, electrically non-conductive and immune to electromagnetic interference and voltages that adversely affect thermocouples, thermistors and RTDs.

Applications

- Temperature Control and Monitoring of Semiconductor RF Process Chambers
- Temperature Control and Monitoring of Dielectric (RF and Microwave) Heating Processes
- Heat Generation Monitoring of Live Integrated Circuits



Benefits

- Probes immune to Electro-magnetic Interference (EMI):
 - RF
 - MRI
 - Microwave
 - High Voltage
- Customer Chosen Calibration Point
- Flexible Programming Parameters for R&D
 - Measurement Rate
 - Samples per Measurement
 - Output Format
- Set It and Forget It ... Stable and Inert Sensor

Luxtron FOT Lab Kit

Specifications

Channels	4
Measurement Range	-100 to 330°C
Electrical Interference	Probe Immune to EMI (RF, Magnetic and Microwave)
Accuracy (Calibrated)	±0.5°C within 50°C of calibration temperature ±0.2°C within 20°C of calibration temperature ±0.1°C @ calibration temperature
Repeatability (Precision)	0.5°C RMS @ 8 Samples per Measurement
Output Resolution	0.01°C
Measurement Rate	Max 4 Hz for a single Channel, Configurable
Output Format	Selectable °C, °F and K
Self Diagnostic	Self Diagnosis and Probe Errors Available on RS-232
Input Power	100-240VAC Universal Power Supply Included
Serial Output	RS-232C
Analog Output	0-10V or 4-20mA
Dimensions	171.5 W x 107.6 H x 50.8 D (mm)
Storage Temperature	-30 to +75°C
Operating Environment	10°C to 50°C, 80% RH (Max) Non-condensing

Kit Includes

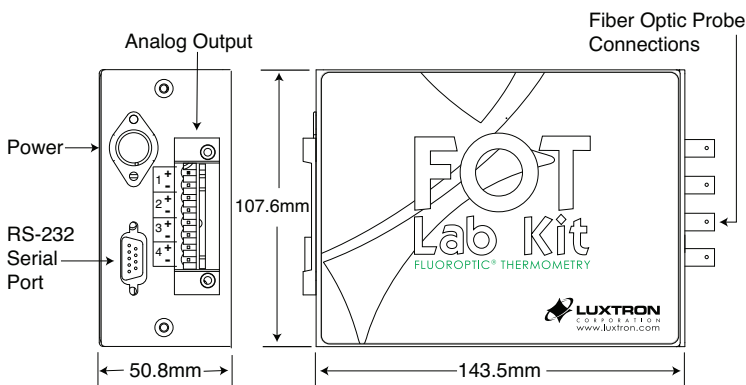
- 4-Channel Instrument
- Universal Power Supply (100-240VAC)
- Cable for RS-232 Serial Communication
- User's Guide
- Quick Start Guide

Available Accessories

- Fiber Optic Extension Cables
- Vacuum Feedthroughs
- TrueTemp™ Data Acquisition and Graphing Software
- Lab View Drivers

Compatible Probes*

Type	Temperature Range	Application
STF	0 to 295°C	Fast Response
STR	-25 to 330°C	Remote Sensing
STS	-25 to 200°C	Surface Contact
STB	0 to 120°C	Medical
STM	-25 to 250°C	General Immersion
WTS	-30 to 200°C	Electric Power



Your Distributor



ASRAS CO.,LTD.
1694, 1694/1 Prachasongkhro Road,
Dindaeng, Dindaeng, Bangkok 10400
Tel. 02-692-3980, Fax. 02-692-3978
E-mail: sales@asras.com
www.asras.com; www.asras.co.th



Specifications subject to change without notice. Luxtron and Fluoroptic are registered trademarks and TrueTemp is a trademark of LumaSense Technologies, Inc. ©2007 LumaSense Technologies, Inc. All rights reserved.



Artisan Technology Group is your source for quality new and certified-used/pre-owned equipment

- FAST SHIPPING AND DELIVERY
- TENS OF THOUSANDS OF IN-STOCK ITEMS
- EQUIPMENT DEMOS
- HUNDREDS OF MANUFACTURERS SUPPORTED
- LEASING/MONTHLY RENTALS
- ITAR CERTIFIED SECURE ASSET SOLUTIONS

SERVICE CENTER REPAIRS

Experienced engineers and technicians on staff at our full-service, in-house repair center

*InstraView*SM REMOTE INSPECTION

Remotely inspect equipment before purchasing with our interactive website at www.instraview.com ↗

WE BUY USED EQUIPMENT

Sell your excess, underutilized, and idle used equipment. We also offer credit for buy-backs and trade-ins. www.artisanng.com/WeBuyEquipment ↗

LOOKING FOR MORE INFORMATION?

Visit us on the web at www.artisanng.com ↗ for more information on price quotations, drivers, technical specifications, manuals, and documentation

Contact us: (888) 88-SOURCE | sales@artisanng.com | www.artisanng.com