



## Artisan Technology Group is your source for quality new and certified-used/pre-owned equipment

- FAST SHIPPING AND DELIVERY
- TENS OF THOUSANDS OF IN-STOCK ITEMS
- EQUIPMENT DEMOS
- HUNDREDS OF MANUFACTURERS SUPPORTED
- LEASING/MONTHLY RENTALS
- ITAR CERTIFIED SECURE ASSET SOLUTIONS

### SERVICE CENTER REPAIRS

Experienced engineers and technicians on staff at our full-service, in-house repair center

### *InstraView*<sup>SM</sup> REMOTE INSPECTION

Remotely inspect equipment before purchasing with our interactive website at [www.instraview.com](http://www.instraview.com) ↗

### WE BUY USED EQUIPMENT

Sell your excess, underutilized, and idle used equipment. We also offer credit for buy-backs and trade-ins. [www.artisanng.com/WeBuyEquipment](http://www.artisanng.com/WeBuyEquipment) ↗

### LOOKING FOR MORE INFORMATION?

Visit us on the web at [www.artisanng.com](http://www.artisanng.com) ↗ for more information on price quotations, drivers, technical specifications, manuals, and documentation

**Contact us:** (888) 88-SOURCE | [sales@artisanng.com](mailto:sales@artisanng.com) | [www.artisanng.com](http://www.artisanng.com)

## OPERATING INSTRUCTIONS AND SPECIFICATIONS

# CompactRIO™ NI cRIO-9012/9014

Intelligent Real-Time Embedded Controller for CompactRIO

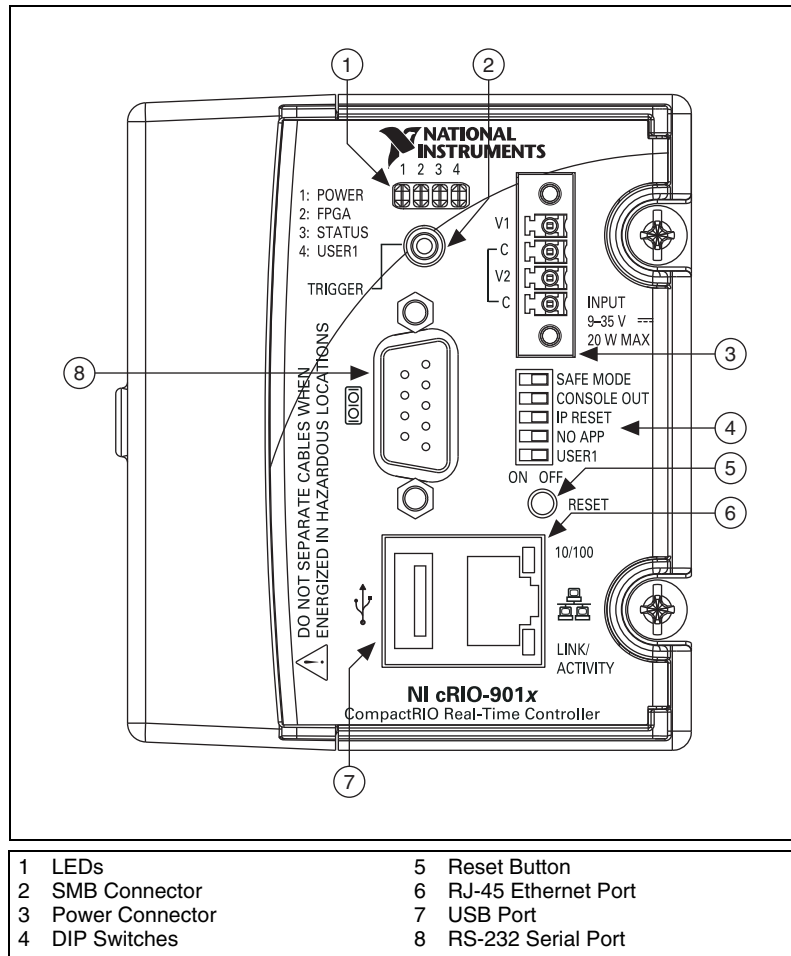


Figure 1. CompactRIO cRIO-9012/9014



This document describes how to connect the NI cRIO-9012/9014 real-time embedded controllers to networks and how to use the features of the controllers. This document also contains specifications for the controllers.

## Safety Guidelines

---

Operate the cRIO-9012/9014 only as described in these operating instructions.

### Safety Guidelines for Hazardous Locations

The cRIO-9012/9014 is suitable for use in Class I, Division 2, Groups A, B, C, D, T4 hazardous locations; Class 1, Zone 2, AEx nA II T4 and Ex nA II T4 hazardous locations; and nonhazardous locations only. Follow these guidelines if you are installing the cRIO-9012/9014 in a potentially explosive environment. Not following these guidelines may result in serious injury or death.



**Caution** Do not disconnect the power supply wires and connectors from the controller unless power has been switched off.



**Caution** Do not install or remove the controller unless power has been switched off.



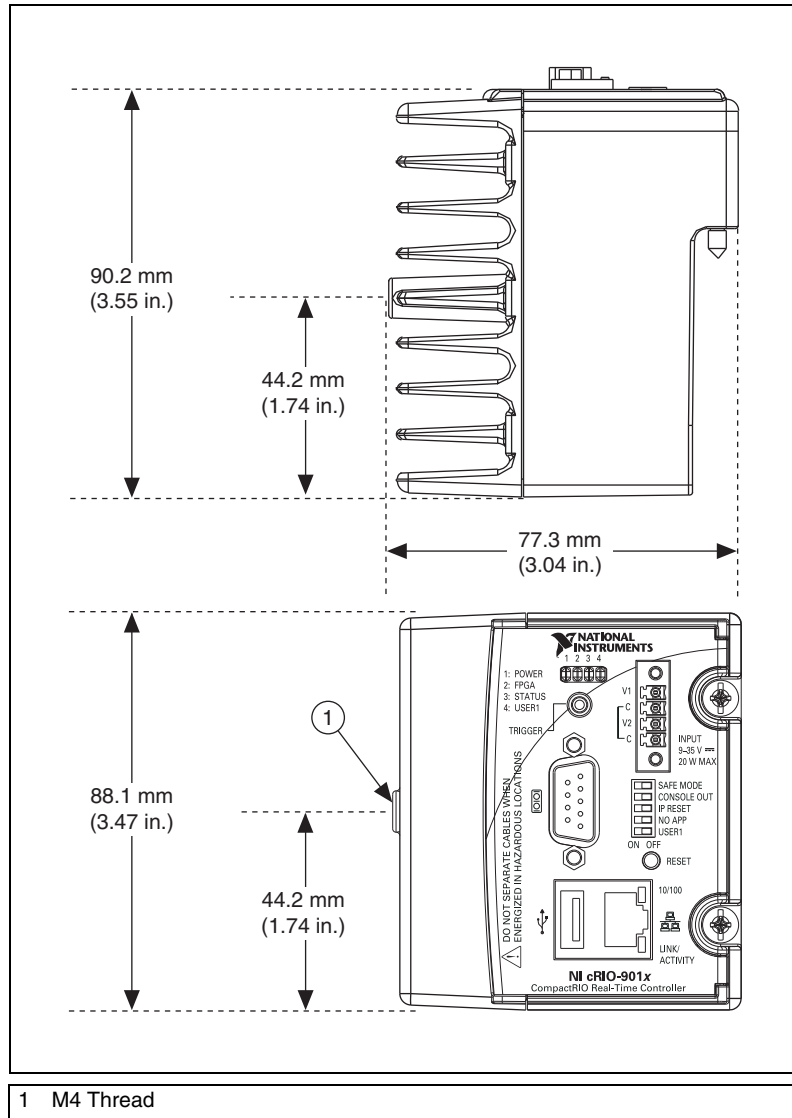
**Caution** Substitution of components may impair suitability for Class I, Division 2.



**Caution** For Zone 2 applications, install the CompactRIO system in an enclosure rated to at least IP 54 as defined by IEC 60529 and EN 60529.

# Installing the Controller on the Chassis

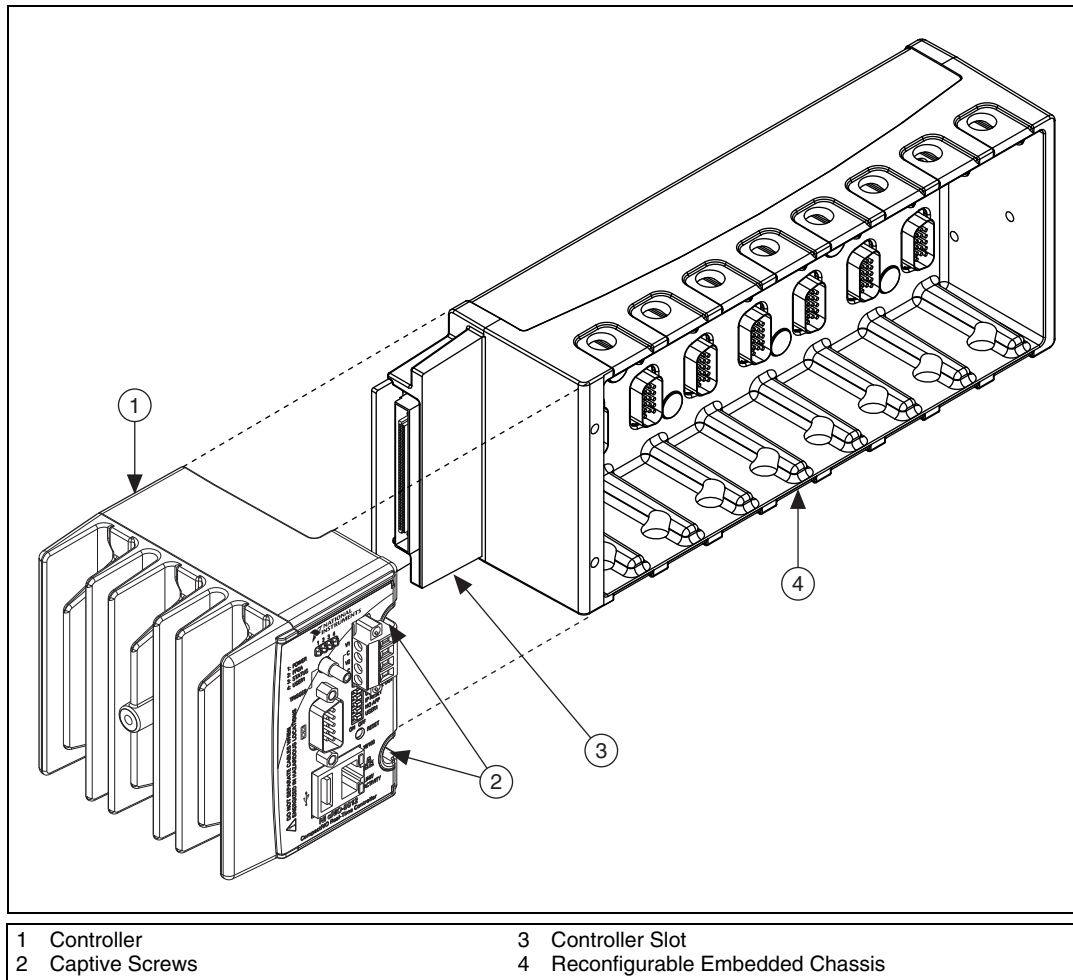
Figure 2 shows the dimensions of the CompactRIO controller.



**Figure 2.** CompactRIO Controller, Front and Bottom View with Dimensions

Complete the following steps to install the controller on the chassis.

1. Make sure that no power is connected to the controller or the chassis.
2. Align the controller with the chassis as shown in Figure 3.



**Figure 3.** Installing the Controller on the Chassis (Eight-Slot Chassis Shown)

3. Slide the controller onto the controller slot on the chassis. Press firmly to ensure the chassis connector and the controller connector are mated.
4. Using a number 2 Phillips screwdriver, tighten the two captive screws on the front of the controller to 1.3 N · m (11.5 lb · in.) of torque.

## Connecting the Controller to a Network

---

Connect the controller to an Ethernet network using the RJ-45 Ethernet port on the controller front panel. Use a standard Category 5 (CAT-5) or better Ethernet cable to connect the controller to an Ethernet hub, or use an Ethernet crossover cable to connect the controller directly to a computer.



**Caution** To prevent data loss and to maintain the integrity of your Ethernet installation, do *not* use a cable longer than 100 m. If you are using 100 Mbps Ethernet, National Instruments recommends using a CAT-5 or better shielded twisted-pair Ethernet cable.

If you need to build your own cable, refer to the [Cabling](#) section for more information about Ethernet cable wiring connections.

The host computer communicates with the controller over a standard Ethernet connection. If the host computer is on a network, you must configure the controller on the same subnet as the host computer. If neither the host computer nor the CompactRIO controller is connected to a network, you can connect the two directly using a crossover cable.

If you want to use the controller on a subnet other than the one the host computer is on, first connect the controller on the same subnet as the host computer. Use DHCP to assign an IP address or reassign a static IP address for the subnet where you want it to be and physically move it to the other subnet. The first time you configure the controller, you must also install software on it. Refer to the *Measurement & Automation Explorer Help* for more information about configuring the controller in Measurement & Automation Explorer (MAX). Contact your network administrator if you need assistance configuring the host computer and controller on the same subnet.

## Wiring Power to the Controller

---

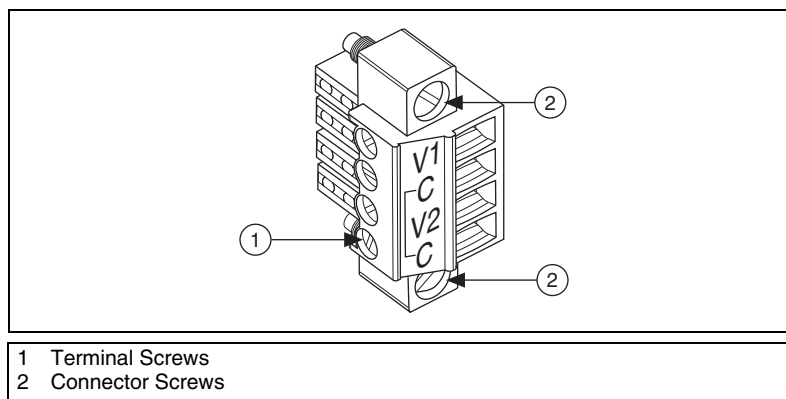


**Caution** You *must* install the controller on a CompactRIO chassis and tighten the captive screws before you apply power to the controller. Installing the controller while power is applied to it can cause damage to the chassis.

The controller requires an external power supply that meets the specifications in the [Power Requirements](#) section. The controller filters and regulates the supplied power and provides power for all of the I/O modules in the chassis. You must connect a power supply to at least one pair of V and C terminals. Optionally, you can connect a power supply to the other pair of V and C terminals. The controller draws power from the power supply with the higher voltage. The controller has one layer of

reverse-voltage protection. Complete the following steps to connect power supplies to the controller.

1. Connect the positive lead of the power supply to the V1 or V2 terminal of the COMBICON power connector shipped with the controller, and tighten the terminal screw. Figure 4 shows the terminal screws, which secure the wires in the screw terminals, and the connector screws, which secure the power connector on the controller.



**Figure 4.** COMBICON Power Connector

2. Connect the negative lead of the power supply to one of the C terminals of the power connector and tighten the terminal screw.
3. Optionally, you can connect the positive lead of another power supply to the other V terminal and the negative lead to one of the C terminals. You must install the ferrite across both pairs of wires.
4. Install the power connector on the front panel of the controller and tighten the connector screws.



**Note** The controller draws power from *either* V1 or V2 depending on which terminal has a higher voltage. It does not draw power from both terminals. The controller switches between V1 and V2 without affecting operation.



**Caution** The C terminals are internally connected to each other. If you use two power supplies, make sure that they share a common ground.



**Caution** The C terminals are internally connected to the controller chassis to prevent a faulty ground connection from causing the chassis ground to float. If you reverse the input voltage, the positive input voltage is connected directly to the chassis. The controller has built-in reversed-voltage protection, but reversed voltage can damage connected peripherals if the chassis ground is not reliably connected to earth ground.



**Caution** Do not tighten or loosen the terminal screws on the power connector while the power connector is plugged into the controller or while the power supply is on.

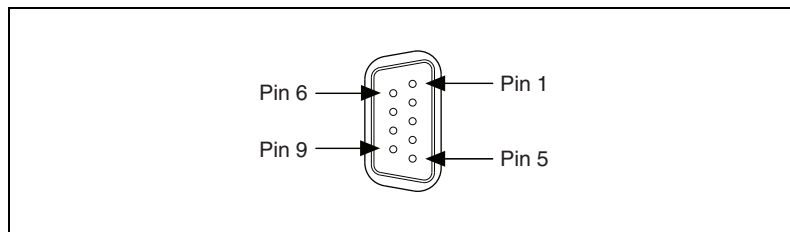
## Powering On the Controller

Plug in each power supply to the CompactRIO system. The controller runs a power-on self test (POST). During the POST, the Power and Status LEDs turn on. The Status LED turns off, indicating that the POST is complete. If the LEDs do not behave in this way when the controller powers on, refer to the [Understanding LED Indications](#) section.

You can configure the controller to launch an embedded stand-alone application each time you boot the controller. Refer to the *LabVIEW Help* for more information.

## Connecting Serial Devices to the Controller

The controller has an RS-232 serial port to which you can connect devices such as displays or input devices. Use the Serial VIs to read from and write to the serial port. For more information about the Serial VIs, refer to the *LabVIEW Help*.



**Figure 5.** Controller Serial Port

**Table 1.** DB-9 Pin Descriptions

Pin	Signal
1	DCD
2	RXD
3	TXD
4	DTR
5	GND
6	DSR
7	RTS
8	CTS
9	RI



## Using the Internal Real-Time Clock

---

The system clock of the cRIO-9012/9014 is synchronized with the internal high-precision real-time clock at startup. This synchronization provides timestamp data to the controller. You can also use the internal real-time clock to correct drift of the system clock. Refer to the [Specifications](#) section for the accuracy specifications of the real-time clock.

## Using the SMB Connector for Digital I/O

---

You can use the SMB connector of the cRIO-9012/9014 to connect digital devices to the controller. For example, if you connect the pulse-per-second output of a GPS device to the SMB connector of the cRIO-9012/9014, you can use the GPS device to correct for drift of the system clock.

For software that supports GPS drift-correction and other digital I/O through the SMB connector, go to [ni.com/info](http://ni.com/info) and enter the Info Code `criosmb`.

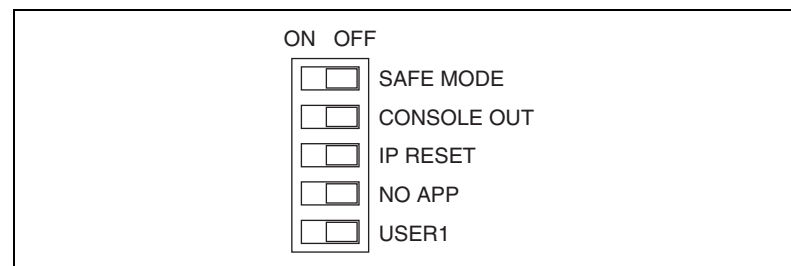
## Connecting USB Mass-Storage Devices to the Controller

---

The cRIO-9012/9014 supports common USB mass-storage devices such as USB Flash drives and USB-to-IDE adapters formatted with FAT16 and FAT32 file systems. You can connect USB mass-storage devices to the cRIO-9012/9014 while the controller is operating. USB devices are mapped to the `U:` drive in LabVIEW. The cRIO-9012/9014 does not support other types of USB devices. Refer to the *LabVIEW Help* for more information.

## Configuring DIP Switches

---



**Figure 6.** Controller DIP Switches

All of the DIP switches are in the OFF position when the controller is shipped from National Instruments.

## SAFE MODE Switch

The position of the SAFE MODE switch determines whether the embedded LabVIEW Real-Time engine launches when the controller boots. If the switch is in the OFF position, the LabVIEW Real-Time engine launches. Keep this switch in the OFF position during normal operation. If the switch is in the ON position when the controller boots, the controller launches only the essential services required for updating its configuration and installing software. The LabVIEW Real-Time engine does not launch.

If the software on the controller is corrupted, you must put the controller into safe mode and reformat the controller drive. You can put the controller into safe mode by powering it up either with the SAFE MODE switch in the ON position or with no software installed on the drive. Refer to the *Measurement & Automation Explorer Help* for more information about installing software on a controller and reformatting the drive on the controller.

## CONSOLE OUT Switch

With a serial-port terminal program, you can use the CONSOLE OUT switch to read the IP address and firmware version of the controller. Use a null-modem cable to connect the serial port on the controller to a computer. Push the switch to the ON position. Make sure that the serial-port terminal program is configured to the following settings:

- 9,600 bits per second
- Eight data bits
- No parity
- One stop bit
- No flow control

The serial-port terminal program displays the IP address and firmware version of the controller, and alerts you when you connect an unsupported USB device to the controller. Keep this switch in the OFF position during normal operation.

## IP RESET Switch

Push the IP RESET switch to the ON position and reboot the controller to reset the IP address of the controller to 0 . 0 . 0 . 0. If the controller is on your local subnet and the IP RESET switch is in the ON position, the controller appears in MAX with IP address 0 . 0 . 0 . 0. You can configure a new IP address for the controller in MAX. Refer to the [Resetting the Network Configuration of the Controller](#) section for more information about resetting the IP address. You also can push this switch to the ON position to unlock a controller that was previously locked in MAX.

## NO APP Switch

Push the NO APP switch to the ON position to prevent a LabVIEW startup application from running on the controller when the controller powers on. If you want to permanently disable the application from running when the controller powers on, you must disable it in LabVIEW. To run an application when the controller powers on, push the NO APP switch to the OFF position, create an application using the LabVIEW Application Builder, and configure the application in LabVIEW to launch when the controller powers on. If you already have an application configured to launch when the controller powers on and you push the NO APP switch from ON to OFF, the startup application is automatically enabled. For more information about automatically launching VIs when the controller powers on and disabling VIs from launching when the controller powers on, refer to the *LabVIEW Help*.

## USER1 Switch

You can define the USER1 switch for your application. To define the purpose of this switch in your embedded application, use the RT Read Switch VI in your LabVIEW RT embedded VI. For more information about the RT Read Switch VI, refer to the *LabVIEW Help*.

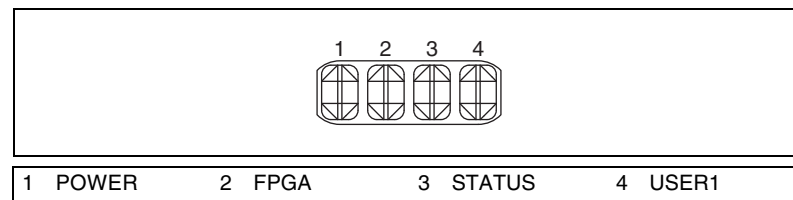
## Using the Reset Button

---

Pressing the Reset button resets the controller in the same manner as cycling power.

## Understanding LED Indications

---



**Figure 7.** CompactRIO Controller LEDs

### POWER LED

The POWER LED is lit while the controller is powered on. This LED indicates that the power supply connected to the controller is adequate, and that the controller is supplying power to the CompactRIO system.

This LED is a bi-color LED. When the controller is powered from V1, the POWER LED is lit green. When the controller is powered from V2, the POWER LED is lit yellow.

## FPGA LED

You can use the FPGA LED to help debug your application or easily retrieve application status. Use the LabVIEW FPGA Module and NI-RIO 2.0 or later to define the FPGA LED to meet the needs of your application. Refer to *LabVIEW Help* for information about programming this LED.

## STATUS LED

The STATUS LED is off during normal operation. The controller indicates specific error conditions by flashing the STATUS LED a certain number of times every few seconds, as shown in Table 2.

**Table 2.** Status LED Indications

Number of Flashes Every Few Seconds	Indication
1	The controller is unconfigured. Use MAX to configure the controller. Refer to the <i>Measurement &amp; Automation Explorer Help</i> for information about configuring the controller.
2	The controller has detected an error in its software. This usually occurs when an attempt to upgrade the software is interrupted. Reinstall software on the controller. Refer to the <i>Measurement &amp; Automation Explorer Help</i> for information about installing software on the controller.
3	The controller is in safe mode because the Safe Mode DIP switch is in the ON position. Refer to the <a href="#">Configuring DIP Switches</a> section for information about the Safe Mode DIP switch.
4	The controller software has crashed twice without rebooting or cycling power between crashes. This usually occurs when the controller runs out of memory. Review your RT VI and check the controller memory usage. Modify the VI as necessary to solve the memory usage issue.
Continuous flashing or solid	The controller has detected an unrecoverable error. Please contact National Instruments.

## USER1 LED

You can define the USER1 LED to meet the needs of your application. To define the LED, use the RT LEDs VI in LabVIEW. For more information about the RT LEDs VI, refer to the *LabVIEW Help*.

## Resetting the Network Configuration of the Controller

---

If the controller is not able to communicate with the network, you can use the IP RESET switch to manually restore the controller to the factory network settings. When you restore the controller to the factory network settings, the IP address, subnet mask, DNS address, gateway, and Time Server IP are set to 0 . 0 . 0 . 0. Power-on defaults, watchdog settings, and VIs are unaffected.

Complete the following steps to reset the controller.

1. Move the IP RESET DIP switch to the ON position.
2. Push the RESET button to cycle power to the controller. The STATUS LED flashes once, indicating that the controller IP address is unconfigured.
3. Move the IP RESET switch to the OFF position.

The network settings are restored. You can reconfigure the settings in MAX from a computer on the same subnet. Refer to the *Measurement & Automation Explorer Help* for more information about configuring the controller.



**Note** If the controller is restored to the factory network settings, the LabVIEW run-time engine does not load. You must reconfigure the network settings and restart the controller for the LabVIEW run-time engine to load.

## Specifications

---

The following specifications are typical for the range –40 to 70 °C unless otherwise noted.

### Network

Network interface .....	10BaseT and 100BaseTX Ethernet
Compatibility .....	IEEE 802.3
Communication rates .....	10 Mbps, 100 Mbps, auto-negotiated
Maximum cabling distance .....	100 m/segment

## SMB Connector

### Output Characteristics

Logic high .....	3.3 V
Logic low .....	0 V
Driver type .....	CMOS
Sink/source current .....	±50 mA
3-state output leakage current .....	±5 µA

### Input Characteristics

Minimum input level.....	-500 mV
Maximum input low level .....	990 mV
Minimum input high level.....	2.31 V
Maximum input level.....	5.5 V
Input capacitance.....	2.5 pF
Resistive strapping .....	1 kΩ to 3.3 V

## USB Port

Maximum data rate .....	12 Mb/s
Maximum current.....	500 mA

## Memory

### Nonvolatile

cRIO-9012 .....	128 MB
cRIO-9014 .....	2 GB

For information about the life span of the nonvolatile memory and about best practices for using nonvolatile memory, go to [ni.com/info](http://ni.com/info) and enter the Info Code *SSDBP*.

### DRAM

cRIO-9012 .....	64 MB
cRIO-9014 .....	128 MB

## Internal Real-Time Clock

Accuracy .....200 ppm; 35 ppm at 25 °C

## Power Requirements



**Caution** You must use a UL Listed ITE power supply marked *LPS* with the cRIO-9012/9014.

Recommended power supply .....48 W secondary,  
18 VDC to 24 VDC

### Power consumption

Controller only .....6 W

Controller supplying power to  
eight CompactRIO modules .....20 W

### Power supply

On powerup .....9 to 35 V

After powerup .....6 to 35 V



**Note** The cRIO-9012/9014 is guaranteed to power up when 9 V is applied to V and C. After powerup, it can operate on as little as 6 V.

## Physical Characteristics

If you need to clean the controller, wipe it with a dry towel.

Screw-terminal wiring .....12 to 24 AWG copper conductor  
wire with 10 mm (0.39 in.) of  
insulation stripped from the end

Torque for screw terminals .....0.5 to 0.6 N · m  
(4.4 to 5.3 lb · in.)

Weight .....Approx. 488 g (17.2 oz)

## Safety Voltages

Connect only voltages that are within these limits.

V-to-C .....35 V max, Measurement  
Category I

Measurement Category I is for measurements performed on circuits not directly connected to the electrical distribution system referred to as

MAINS voltage. MAINS is a hazardous live electrical supply system that powers equipment. This category is for measurements of voltages from specially protected secondary circuits. Such voltage measurements include signal levels, special equipment, limited-energy parts of equipment, circuits powered by regulated low-voltage sources, and electronics.



**Caution** Do not connect to signals or use for measurements within Measurement Categories II, III, or IV.

## Safety Standards

This product is designed to meet the requirements of the following standards of safety for electrical equipment for measurement, control, and laboratory use:

- IEC 61010-1, EN-61010-1
- UL 61010-1, CSA 61010-1



**Note** For UL and other safety certifications, refer to the product label or visit [ni.com/certification](http://ni.com/certification), search by model number or product line, and click the appropriate link in the Certification column.

## Electromagnetic Compatibility

This product is designed to meet the requirements of the following standards of EMC for electrical equipment for measurement, control, and laboratory use:

- EN 61326 EMC requirements; Industrial Immunity
- EN 55011 Emissions; Group 1, Class A
- CE, C-Tick, ICES, and FCC Part 15 Emissions; Class A



**Note** For EMC compliance, operate this device according to product documentation.

## CE Compliance

This product meets the essential requirements of applicable European Directives, as amended for CE marking, as follows:

- 2006/95/EC; Low-Voltage Directive (safety)
- 2004/108/EEC; Electromagnetic Compatibility Directive (EMC)



**Note** Refer to the Declaration of Conformity (DoC) for this product for any additional regulatory compliance information. To obtain the DoC for this product, visit [ni.com/certification](http://ni.com/certification), search by model number or product line, and click the appropriate link in the Certification column.



## Environmental Management

National Instruments is committed to designing and manufacturing products in an environmentally responsible manner. NI recognizes that eliminating certain hazardous substances from our products is beneficial not only to the environment but also to NI customers.

For additional environmental information, refer to the *NI and the Environment* Web page at [ni.com/environment](http://ni.com/environment). This page contains the environmental regulations and directives with which NI complies, as well as other environmental information not included in this document.

## Waste Electrical and Electronic Equipment (WEEE)



**EU Customers** At the end of the product life cycle, all products *must* be sent to a WEEE recycling center. For more information about WEEE recycling centers, National Instruments WEEE initiatives, and compliance with WEEE Directive 2002/96/EC on Waste and Electronic Equipment, visit [ni.com/environment/weee](http://ni.com/environment/weee).

## 电子信息产品污染控制管理办法（中国 RoHS）



**中国客户** National Instruments 符合中国电子信息产品中限制使用某些有害物质指令 (RoHS)。关于 National Instruments 中国 RoHS 合规性信息，请登录 [ni.com/environment/rohs\\_china](http://ni.com/environment/rohs_china)。(For information about China RoHS compliance, go to [ni.com/environment/rohs\\_china](http://ni.com/environment/rohs_china).)

## Hazardous Locations

U.S. (UL) .....	Class I, Division 2, Groups A, B, C, D, T4; Class I, Zone 2, AEx nA IIC T4
Canada (C-UL) .....	Class I, Division 2, Groups A, B, C, D, T4; Class I, Zone 2, Ex nA IIC T4

## Environmental

The cRIO-9012/9014 is intended for indoor use only. For outdoor use, mount the CompactRIO system in a suitably rated enclosure.

Operating temperature  
(IEC 60068-2-1, IEC 60068-2-2)..... –40 to 70 °C



**Note** To meet this operating temperature range, follow the guidelines in the installation instructions for your CompactRIO system.

Storage temperature  
(IEC 60068-2-1, IEC 60068-2-2)..... –40 to 85 °C

Ingress protection ..... IP 40

Operating humidity  
(IEC 60068-2-56)..... 10 to 90% RH, noncondensing

Storage humidity  
(IEC 60068-2-56)..... 5 to 95% RH, noncondensing

Maximum altitude ..... 2,000 m

Pollution Degree (IEC 60664) ..... 2

## Shock and Vibration

To meet these specifications, you must panel mount the CompactRIO system, affix ferrules to the ends of the terminal wires, and install a tie wrap on the USB cable for strain relief. You can use the tie wrap to attach the USB cable to the Ethernet cable.

Operating vibration  
Random (IEC 60068-2-64) ..... 5 g<sub>rms</sub>, 10 to 500 Hz  
Sinusoidal (IEC 60068-2-6)..... 5 g, 10 to 500 Hz

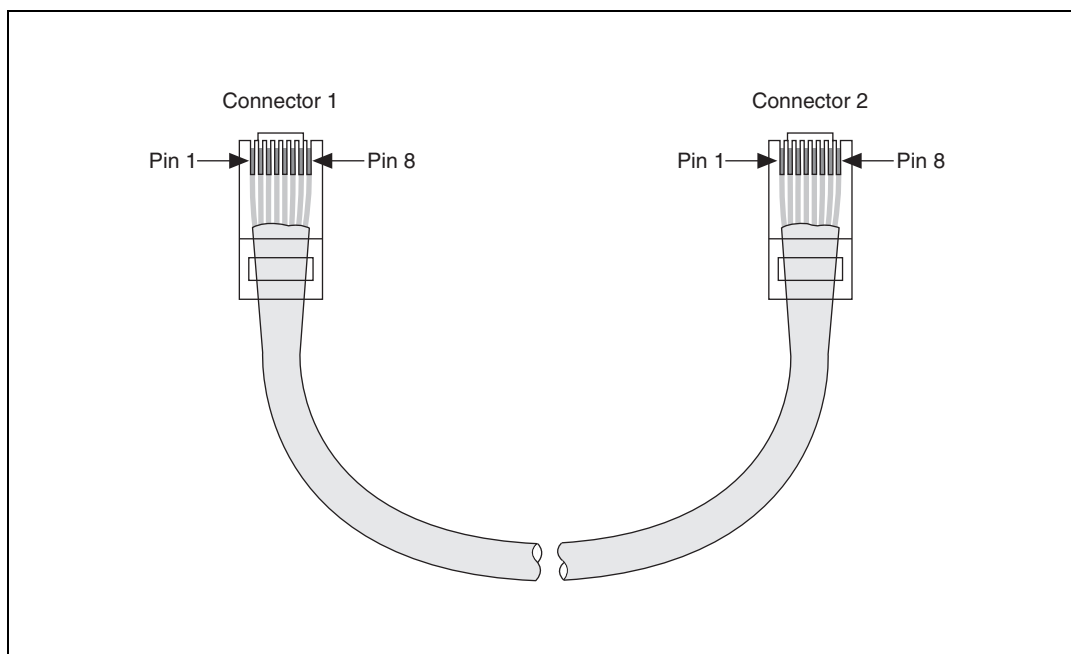
Operating shock  
(IEC 60068-2-27)..... 30 g, 11 ms half sine  
50 g, 3 ms half sine,  
18 shocks at 6 orientations

## Cabling

Table 3 shows the standard Ethernet cable wiring connections for both normal and crossover cables.

**Table 3.** Ethernet Cable Wiring Connections

Pin	Connector 1	Connector 2 (Normal)	Connector 2 (Crossover)
1	white/orange	white/orange	white/green
2	orange	orange	green
3	white/green	white/green	white/orange
4	blue	blue	blue
5	white/blue	white/blue	white/blue
6	green	green	orange
7	white/brown	white/brown	white/brown
8	brown	brown	brown



**Figure 8.** Ethernet Connector Pinout

## Where to Go for Support

---

The National Instruments Web site is your complete resource for technical support. At [ni.com/support](http://ni.com/support) you have access to everything from troubleshooting and application development self-help resources to email and phone assistance from NI Application Engineers.

National Instruments corporate headquarters is located at 11500 North Mopac Expressway, Austin, Texas, 78759-3504. National Instruments also has offices located around the world to help address your support needs. For telephone support in the United States, create your service request at [ni.com/support](http://ni.com/support) and follow the calling instructions or dial 512 795 8248. For telephone support outside the United States, contact your local branch office:

Australia 1800 300 800, Austria 43 662 457990-0,  
Belgium 32 (0) 2 757 0020, Brazil 55 11 3262 3599,  
Canada 800 433 3488, China 86 21 5050 9800,  
Czech Republic 420 224 235 774, Denmark 45 45 76 26 00,  
Finland 358 (0) 9 725 72511, France 01 57 66 24 24,  
Germany 49 89 7413130, India 91 80 41190000, Israel 972 3 6393737,  
Italy 39 02 41309277, Japan 0120-527196, Korea 82 02 3451 3400,  
Lebanon 961 (0) 1 33 28 28, Malaysia 1800 887710,  
Mexico 01 800 010 0793, Netherlands 31 (0) 348 433 466,  
New Zealand 0800 553 322, Norway 47 (0) 66 90 76 60,  
Poland 48 22 328 90 10, Portugal 351 210 311 210,  
Russia 7 495 783 6851, Singapore 1800 226 5886,  
Slovenia 386 3 425 42 00, South Africa 27 0 11 805 8197,  
Spain 34 91 640 0085, Sweden 46 (0) 8 587 895 00,  
Switzerland 41 56 2005151, Taiwan 886 02 2377 2222,  
Thailand 662 278 6777, Turkey 90 212 279 3031,  
United Kingdom 44 (0) 1635 523545

LabVIEW, National Instruments, NI, ni.com, the National Instruments corporate logo, and the Eagle logo are trademarks of National Instruments Corporation. Refer to the *Trademark Information* at [ni.com/trademarks](http://ni.com/trademarks) for other National Instruments trademarks. Other product and company names mentioned herein are trademarks or trade names of their respective companies. For patents covering National Instruments products, refer to the appropriate location: **Help»Patents** in your software, the `patents.txt` file on your media, or [ni.com/patents](http://ni.com/patents).

© 2006–2010 National Instruments Corporation. All rights reserved.

374126E-01

Jun10



## Artisan Technology Group is your source for quality new and certified-used/pre-owned equipment

- FAST SHIPPING AND DELIVERY
- TENS OF THOUSANDS OF IN-STOCK ITEMS
- EQUIPMENT DEMOS
- HUNDREDS OF MANUFACTURERS SUPPORTED
- LEASING/MONTHLY RENTALS
- ITAR CERTIFIED SECURE ASSET SOLUTIONS

### SERVICE CENTER REPAIRS

Experienced engineers and technicians on staff at our full-service, in-house repair center

### *InstraView*<sup>SM</sup> REMOTE INSPECTION

Remotely inspect equipment before purchasing with our interactive website at [www.instraview.com](http://www.instraview.com) ↗

### WE BUY USED EQUIPMENT

Sell your excess, underutilized, and idle used equipment. We also offer credit for buy-backs and trade-ins. [www.artisanng.com/WeBuyEquipment](http://www.artisanng.com/WeBuyEquipment) ↗

### LOOKING FOR MORE INFORMATION?

Visit us on the web at [www.artisanng.com](http://www.artisanng.com) ↗ for more information on price quotations, drivers, technical specifications, manuals, and documentation

**Contact us:** (888) 88-SOURCE | [sales@artisanng.com](mailto:sales@artisanng.com) | [www.artisanng.com](http://www.artisanng.com)