



Artisan Technology Group is your source for quality new and certified-used/pre-owned equipment

- FAST SHIPPING AND DELIVERY
- TENS OF THOUSANDS OF IN-STOCK ITEMS
- EQUIPMENT DEMOS
- HUNDREDS OF MANUFACTURERS SUPPORTED
- LEASING/MONTHLY RENTALS
- ITAR CERTIFIED SECURE ASSET SOLUTIONS

SERVICE CENTER REPAIRS

Experienced engineers and technicians on staff at our full-service, in-house repair center

*InstraView*SM REMOTE INSPECTION

Remotely inspect equipment before purchasing with our interactive website at www.instraview.com ↗

WE BUY USED EQUIPMENT

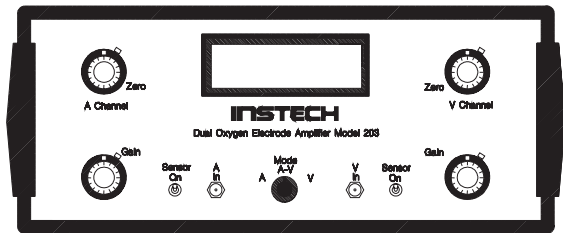
Sell your excess, underutilized, and idle used equipment. We also offer credit for buy-backs and trade-ins. www.artisanng.com/WeBuyEquipment ↗

LOOKING FOR MORE INFORMATION?

Visit us on the web at www.artisanng.com ↗ for more information on price quotations, drivers, technical specifications, manuals, and documentation

Contact us: (888) 88-SOURCE | sales@artisanng.com | www.artisanng.com

Oxygen System Components



Dual Channel Oxygen Amplifier. The model 203 amplifier generates the potential that operates our 125/05 electrodes, and also converts the nanoamp electrode current into a voltage to measure pO₂. It contains two independent channels (labeled A and V), each with gain and zero offset controls and analog outputs. A 3½ digit LED display can be set with a selector switch to display the A channel, the V channel, or the difference between the two.

The amplifier measures 10.5”W x 8.75”L x 4.25”H and weighs 3.5 lbs. It operates on 120V AC current, but can set for 220V operation at the factory.

Part number	Description
203	Dual channel oxygen amplifier



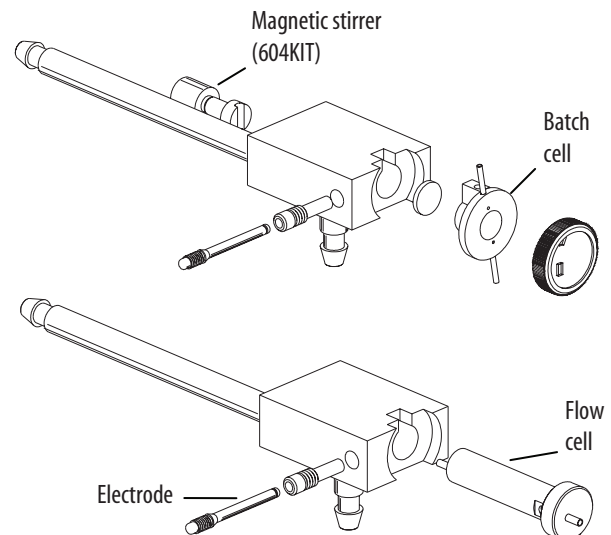
Oxygen Electrodes. Instech’s Clark style polarographic electrode measures 1.625” (41.3 mm) long by 0.125” (3.2 mm) in diameter. The cathode is an exposed section of 0.005” (0.1 mm) pure platinum wire in a fused glass seal. To prepare the electrode, a sheet of polyethylene membrane material is sealed with an o-ring over a drop of KCl solution on the electrode tip. The electrode’s temperature coefficient is 4%/1°C; its time constant with a standard polyethylene membrane is approximately 4 seconds.

Each electrode includes a cable which is attached to the electrode and sealed to prevent salt contamination,

a sleeve to use the electrode in our chamber system, a sleeve to use the electrode outside the chamber, extra membrane material and o-rings, a membrane installation tool, and polishing paper and Scotch-Brite for maintaining the electrode.

This electrode is compatible with Instech’s model 203 amplifier, YSI’s model 5300 oxygen monitor, and Diamond General’s Chemical Microsensor (the cables are different, so specify the appropriate part number). We also supply a special Thurman-style electrode for existing liver perfusion set-ups.

Part number	Description
125/05	Standard electrode with cable
125/05Y	Standard electrode with YSI cable (replaces YSI part numbers 5357 and 5358)
125/05D	Standard electrode with Diamond General cable
125/05T	Thurman style electrode



Batch/Flow Chamber System. Each chamber system consists of an anodized aluminum chamber block with connections for circulating water to keep the electrode and sample at a constant temperature.

The chamber can be set up for oxygen measurement in a fixed 600 µl sample by inserting the Kel-F batch cell cup into the chamber block. The batch cell chamber has separate ports for filling, overflow, and additions made with a micropipette or syringe. A magnetic stirring assembly couples with a 2x7 mm stir bar in the cup to keep fresh solution moving past the electrode tip.





Artisan Technology Group is your source for quality new and certified-used/pre-owned equipment

- FAST SHIPPING AND DELIVERY
- TENS OF THOUSANDS OF IN-STOCK ITEMS
- EQUIPMENT DEMOS
- HUNDREDS OF MANUFACTURERS SUPPORTED
- LEASING/MONTHLY RENTALS
- ITAR CERTIFIED SECURE ASSET SOLUTIONS

SERVICE CENTER REPAIRS

Experienced engineers and technicians on staff at our full-service, in-house repair center

*InstraView*SM REMOTE INSPECTION

Remotely inspect equipment before purchasing with our interactive website at www.instraview.com ↗

WE BUY USED EQUIPMENT

Sell your excess, underutilized, and idle used equipment. We also offer credit for buy-backs and trade-ins. www.artisanng.com/WeBuyEquipment ↗

LOOKING FOR MORE INFORMATION?

Visit us on the web at www.artisanng.com ↗ for more information on price quotations, drivers, technical specifications, manuals, and documentation

Contact us: (888) 88-SOURCE | sales@artisanng.com | www.artisanng.com