



Artisan Technology Group is your source for quality new and certified-used/pre-owned equipment

- FAST SHIPPING AND DELIVERY
- TENS OF THOUSANDS OF IN-STOCK ITEMS
- EQUIPMENT DEMOS
- HUNDREDS OF MANUFACTURERS SUPPORTED
- LEASING/MONTHLY RENTALS
- ITAR CERTIFIED SECURE ASSET SOLUTIONS

SERVICE CENTER REPAIRS

Experienced engineers and technicians on staff at our full-service, in-house repair center

*InstraView*SM REMOTE INSPECTION

Remotely inspect equipment before purchasing with our interactive website at www.instraview.com ↗

WE BUY USED EQUIPMENT

Sell your excess, underutilized, and idle used equipment. We also offer credit for buy-backs and trade-ins. www.artisanng.com/WeBuyEquipment ↗

LOOKING FOR MORE INFORMATION?

Visit us on the web at www.artisanng.com ↗ for more information on price quotations, drivers, technical specifications, manuals, and documentation

Contact us: (888) 88-SOURCE | sales@artisanng.com | www.artisanng.com



PMC-24x Family

High Capacity Disk Storage Solutions

Features

- Boot and run any OS in a single slot
- PCI 32-bit at 33/66 MHz
- 2.5" SSD media to 16 GByte
- Rotating media from 40 GByte to 80 GByte
- CompactFlash from 512 MByte to 16 GByte
- Alternative to costly SCSI legacy
- Fast read/write performance
- Compact and extremely rugged
- Drivers for most popular RTOS and UNIX environments
- Access to rapidly evolving capabilities in both capacity and transfer performance
- Integration with environmental requirements that are more stringent than general purpose processor environments
- Supports 32-bit wide PCI and speeds up to 66 MHz on the ATA (to disk) bus
- The PMC243, PMC244 and PMC245 use the Promise Technology PDC20269 controller (fully PCI 2.1 compliant)
- All modules are compliant to the common mezzanine card (CMC) specification for PCI Mezzanine Cards
- All initialization and functional configuration of the modules is done automatically by software

The PMC24X family provides a single PCI Mezzanine Card (PMC) slot storage solution utilizing industry standard rotating and solid-state disks. Designed to be plugged onto a host processor [or Single Board Computer (SBC) card], these products provide an extremely compact, flexible and economical high performance storage solution that will mount on any PMC location, either directly on a processor card or on a PMC carrier board.

PMC-24x Family

The PMC24x family of embedded disk modules offers a high performance, low cost option for file system and boot storage. Combining high performance controllers developed for high-end workstations with disk technology used in laptops, the PMC243 delivers very high data rates in a compact form factor implemented with components designed for physically demanding environments. Other members of the PMC24x family (such as PMC244) utilize Compact Flash storage devices providing media portability. With the PMC24x "single slot," computing solutions, you do not need to compromise in either capacity or performance.

Software

GE Fanuc intelligent Platforms provides full software support for all the popular software environments including VxWorks®, LynxOS®, Windows® NT, Linux®, and Solaris®. Drivers for popular operating systems are available from either GE Fanuc Intelligent Platforms or via the software distribution from the operating system vendor.



PMC24x Family High Capacity Disk Storage Solutions

Specifications

(for product without media installed)

Form Factor

PMC243/4/5

- PMC

PCI Bus Characteristics

PMC243/4/5

- Specification: 2.2
- Signalling: 5 & 3.3 V
- Speed: 33/66 MHz
- Width: 32 bits

Power

PMC243

- 2 watts
- @ 3 V: 0.6 A

PMC244

- 1 watt total
- @ 3.3 V: 0.05 A
- @ 5 V: 0.15 A

PMC245

- 1 watt total
- @ 3.3 V: 0.1 A
- @ 5 V: 0.2 A

MTBF

PMC243/4

- MIL 217-F NAV Shel 25°C: 380,000 hours

PMC245

- MIL 217-F NAV Shel 25°C: 376,000 hours

Temperature

PMC243

- Operating: 5° to +55° C (rotating disk)
0° to +60° C (solid state)
-40° to +85° C (rotating disk IND)
- Storage: -40° to +85° C

PMC244

- Operating: 0° to +70° C (Industrial CF)
- Storage: -45° to +90° C

PMC245

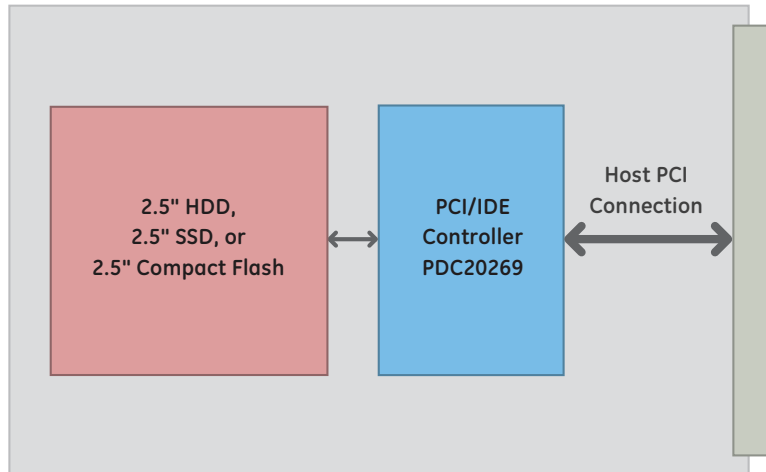
- Operating: 0° to +70° C (Industrial CF)
- Storage: -45° to +90° C

Humidity

PMC243/4/5

- Operating: 5% to 95% non-condensing
- Storage: 5% to 95% non-condensing

Block Diagram



Ordering Information

Model Number	Drive Types Supported	# Drives Supported	Drive Integration	Ordering Options
PMC243	2.5" Rotating media	1	Integrated into PMC assembly	Rotating 40 to 80 GByte 2.5" SSD 8 to 16 GByte RXX/EE252s
	2.5" Solid state media 2.5" Extended Duty	1		
PMC244	CompactFlash (Max size 8 GByte)	3	Integrated into PMC assembly with EIDE interface to external disk	PMC244FP Front panel w/latch PMC244FPL PMC244M Conduction cooled PMC244RG Recessed CF
PMC245	Dual CompactFlash (Max size 16 GByte)	4	Integrated into PMC assembly with EIDE interface to external disk	PMC245/44/CF Dual CF PMC245/44 No CF PMC245/44 CF Dual CF PMC245/ 40-pin IDE No CF

Add **-S** at the end of the part number for Solaris Boot option.

About GE Fanuc Intelligent Platforms

GE Fanuc Intelligent Platforms, a joint venture between General Electric Company (NYSE: GE) and FANUC LTD of Japan, is an experienced high-performance technology company and a global provider of hard-ware, software, services, and expertise in automation and embedded computing. We offer a unique foundation of agile, advanced and ultra-reliable technology that provides customers a sustainable advantage in the industries they serve, including energy, water, consumer packaged goods, government & defense, and telecommunications. GE Fanuc Intelligent Platforms is a worldwide company headquartered in Charlottesville, VA and is part of GE Enterprise Solutions. For more information, visit www.gefanuc.com.

GE Fanuc Intelligent Platforms Information Centers



systemerra computer GmbH • Kreuzberger Ring 22
D-65205 Wiesbaden • +49 (0) 611 9748 470
✉ info@systemerra.de • www.systemerra.de

Additional Resources

For more information, please visit the GE Fanuc Intelligent Platforms web site at:

www.gefanuc.com



©2009 GE Fanuc Intelligent Platforms, Inc. All rights reserved.
All other brands or names are property of their respective holders.
Specifications are subject to change without notice.

03.09 GFA-817



Artisan Technology Group is your source for quality new and certified-used/pre-owned equipment

- FAST SHIPPING AND DELIVERY
- TENS OF THOUSANDS OF IN-STOCK ITEMS
- EQUIPMENT DEMOS
- HUNDREDS OF MANUFACTURERS SUPPORTED
- LEASING/MONTHLY RENTALS
- ITAR CERTIFIED SECURE ASSET SOLUTIONS

SERVICE CENTER REPAIRS

Experienced engineers and technicians on staff at our full-service, in-house repair center

*InstraView*SM REMOTE INSPECTION

Remotely inspect equipment before purchasing with our interactive website at www.instraview.com ↗

WE BUY USED EQUIPMENT

Sell your excess, underutilized, and idle used equipment. We also offer credit for buy-backs and trade-ins. www.artisanng.com/WeBuyEquipment ↗

LOOKING FOR MORE INFORMATION?

Visit us on the web at www.artisanng.com ↗ for more information on price quotations, drivers, technical specifications, manuals, and documentation

Contact us: (888) 88-SOURCE | sales@artisanng.com | www.artisanng.com