



Artisan Technology Group is your source for quality new and certified-used/pre-owned equipment

- FAST SHIPPING AND DELIVERY
- TENS OF THOUSANDS OF IN-STOCK ITEMS
- EQUIPMENT DEMOS
- HUNDREDS OF MANUFACTURERS SUPPORTED
- LEASING/MONTHLY RENTALS
- ITAR CERTIFIED SECURE ASSET SOLUTIONS

SERVICE CENTER REPAIRS

Experienced engineers and technicians on staff at our full-service, in-house repair center

*InstraView*SM REMOTE INSPECTION

Remotely inspect equipment before purchasing with our interactive website at www.instraview.com ↗

WE BUY USED EQUIPMENT

Sell your excess, underutilized, and idle used equipment. We also offer credit for buy-backs and trade-ins. www.artisanng.com/WeBuyEquipment ↗

LOOKING FOR MORE INFORMATION?

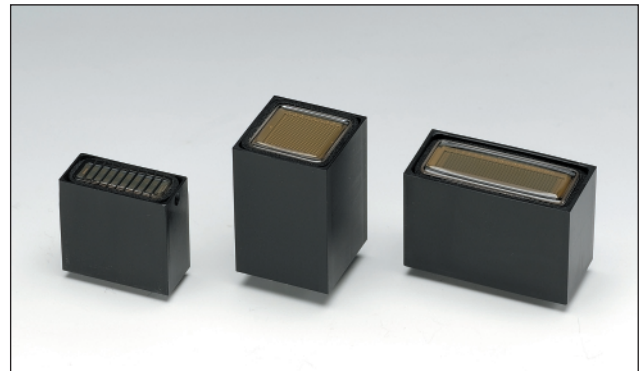
Visit us on the web at www.artisanng.com ↗ for more information on price quotations, drivers, technical specifications, manuals, and documentation

Contact us: (888) 88-SOURCE | sales@artisanng.com | www.artisanng.com

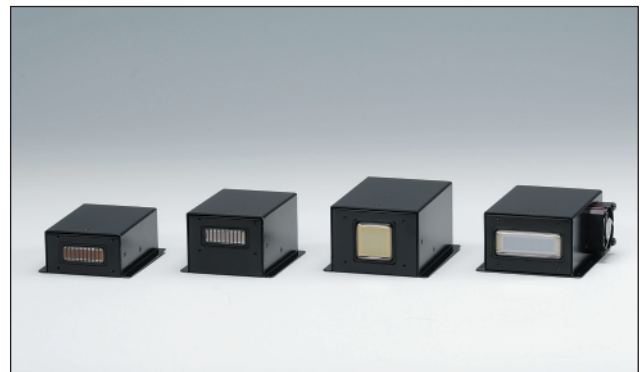
**Photomultiplier Tube with Active Divider Circuit
Linear Array Multianode PMT Assembly, 8-Channel(H9530 series) /
16-Channel(H10515B series) / 32-Channel(H7260 series)**

FEATURES

- High Cathode Sensitivity
Luminous 500 $\mu\text{A}/\text{lm}$ Typ. (-20 Type)
- Effective Area per Channel
H9530 Series 2.0 mm \times 2.5 mm \times 8 Anodes
H10515B Series 0.8 mm \times 16 mm \times 16 Anodes
H7260 Series 0.8 mm \times 7 mm \times 32 Anodes
- High Speed Response:
H9530 Series Rise Time 0.7 ns Typ.
H10515B Series, H7260 Series Rise Time 0.6 ns Typ.
- Good Anode Uniformity (H9530 Series)
1:1.1 Typ. (at -1000 V and peak wavelength)
- Low Cross-talk (H9530 Series)
0.1 % Typ. (each channel)
Black slit faceplate used
- Built In Preamplifier and High Voltage Power Supply
Circuit (Module Types)



Assembly Types: H9530 Series, H10515B Series, H7260 Series

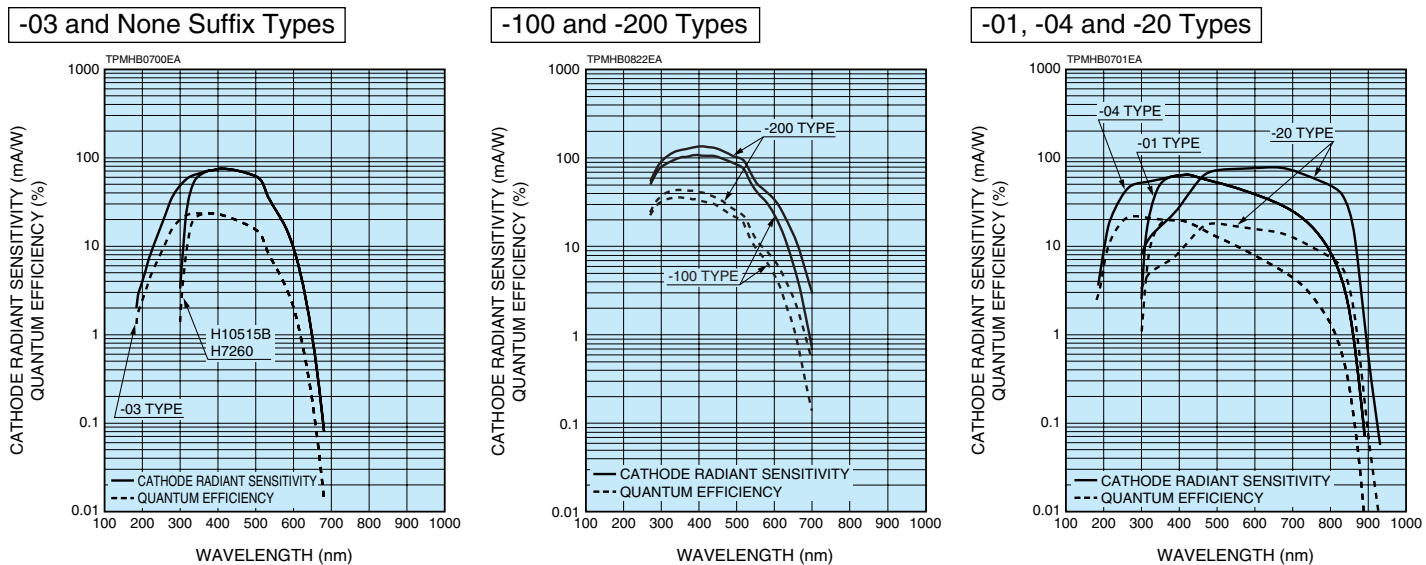


Module Types: H11451, H11452, H11459, H11460

APPLICATIONS

- Biomedical Fluorescence Detection
- Laser Scanning Detection
- Spectroscopy
- Environmental Monitoring

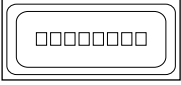

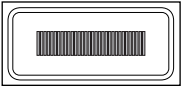
Figure 1: Typical Spectral Response



Subject to local technical requirements and regulations, availability of products included in this promotional material may vary. Please consult with our sales office. Information furnished by HAMAMATSU is believed to be reliable. However, no responsibility is assumed for possible inaccuracies or omissions. Specifications are subject to change without notice. No patent rights are granted to any of the circuits described herein. ©2011 Hamamatsu Photonics K.K.

LINEAR ARRAY MULTIANODE PMT ASSEMBLY AND MODULE

SPECIFICATIONS OF ASSEMBLY TYPES

Type No.	Anode Type		Dimensional Outline	Effective Area per Channel (mm)	Channel Pitch (mm)	Dynode Structure / No. of Stages ^(A)	Weight (g)	Insulation Cover Material ^(B)
H10515B SERIES	16-Channel Linear Array		See Fig.7	0.8 × 16	1	MC/10	49.0	P.O.M.
H7260 SERIES	32-Channel Linear Array		See Fig.8	0.8 × 7	1	MC/10	62.0	P.O.M.

Notes: ^(A) MC: Metal Channel

^(B) P.O.M.: Polyoxymethylene

* Operating ambient temperature: 0 °C to +50 °C

Storage temperature: -15 °C to +50 °C

Type No.	Spectral Response		Photocathode Material ^(G)	Window Material ^(H)	Cathode Characteristics				Supply Voltage (V dc)	
	Range (nm)	Peak Wavelength (nm)			Luminous		Blue Sensitivity Index (CS 5-58) Typ.	Red /White Ratio (R-68) Typ.		Radiant ^(I) Typ. (mA/W)
					Min. (μA/lm)	Typ. (μA/lm)				
H9530-01	300 to 880	420	MA	B	150	250	—	0.3	65	-1000
H9530-20	300 to 920	630	MA	B	350	500	—	0.45	78	-1000
H10515B	300 to 650	420	BA	B	50	70	8.5	—	72	-800
H10515B-01	300 to 880	420	MA	B	150	250	—	0.3	65	-800
H10515B-03	185 to 650	420	BA	U	50	70	8.5	—	72	-800
H10515B-04	185 to 880	420	MA	U	150	250	—	0.3	65	-800
H10515B-20	300 to 920	630	MA	B	350	500	—	0.45	78	-800
H10515B-100	300 to 650	400	SBA	B	90	105	13.5	—	110	-800
H10515B-200	300 to 650	400	UBA	B	110	135	15.5	—	130	-800
H7260	300 to 650	420	BA	B	50	70	8.5	—	72	-800
H7260-01	300 to 880	420	MA	B	150	250	—	0.3	65	-800
H7260-03	185 to 650	420	BA	U	50	70	8.5	—	72	-800
H7260-04	185 to 880	420	MA	U	150	250	—	0.3	65	-800
H7260-20	300 to 920	630	MA	B	350	500	—	0.45	78	-800
H7260-100	300 to 650	400	SBA	B	90	105	13.5	—	110	-800
H7260-200	300 to 650	400	UBA	B	110	135	15.5	—	130	-800

Notes: ^(G) BA: Bialkali MA: Multialkali SBA: Super Bialkali UBA: Ultra Bialkali

^(H) B: Borosilicate glass U: UV glass

^(I) Measured at the peak wavelength

(at 25 °C)

Socket [Ⓒ]	Maximum Ratings [Ⓓ]				Type No.
	Supply Voltage (V dc)	Total Average Anode Current (μ A) [Ⓔ]	Average Anode Current per Channel (μ A) [Ⓔ]	Voltage Divider Current (mA)	
SD-106-T-22	-1200	80	10	0.42 [Ⓕ]	H9530 SERIES
SD-108-T-22 ASP24307-02	-900	100	10	0.37 [Ⓕ]	H10515B SERIES
SD-108-T-22 × 2 pcs	-900	100	6	0.37 [Ⓕ]	H7260 SERIES

- Notes:** [Ⓒ] Supplied
[Ⓓ] The maximum ambient temperature range
[Ⓔ] Averaged over any interval of 30 seconds maximum.
[Ⓕ] Measured with the maximum supply voltage.

(at 25 °C)

Anode Characteristics [Ⓙ]							Pulse Linearity per Channel (± 2 % deviation) (mA)	Cross-talk Typ. (%)	Uniformity Between Each Anode		Type No.	
Luminous		Gain Typ.	Dark Current per Channel (After 30 min.)		Time Response				Typ. (%)	Typ.		Max.
Min. (A/lm)	Typ. (A/lm)		Typ. (nA)	Max. (nA)	Rise Time Typ. (ns)	Transit Time Spread (FWHM) Typ. (ns)						
75	750	3×10^6	0.5	5	0.7	0.25	0.9	0.1	—	1: 1.1	H9530-01	
175	1500	3×10^6	1	10	0.7	0.25	0.9	0.1	—	1: 1.1	H9530-20	
50	280	4×10^6	0.2	2	0.6	0.18	0.8	3	1: 1.5	1: 2	H10515B	
75	250	1×10^6	0.5	5	0.6	0.18	0.8	3	1: 1.7	1: 2.5	H10515B-01	
50	280	4×10^6	0.2	2	0.6	0.18	0.8	3	1: 1.5	1: 2	H10515B-03	
75	250	1×10^6	0.5	5	0.6	0.18	0.8	3	1: 1.7	1: 2.5	H10515B-04	
175	500	1×10^6	1	10	0.6	0.18	0.8	3	1: 1.7	1: 2.5	H10515B-20	
90	315	3×10^6	0.2	2	0.6	0.18	0.8	3	1: 1.5	1: 2	H10515B-100	
110	405	3×10^6	0.2	2	0.6	0.18	0.8	3	1: 1.5	1: 2	H10515B-200	
50	140	2×10^6	0.2	2	0.6	0.18	0.6	3	1: 1.5	1: 2	H7260	
75	250	1×10^6	0.5	5	0.6	0.18	0.6	3	1: 1.7	1: 2.5	H7260-01	
50	140	2×10^6	0.2	2	0.6	0.18	0.6	3	1: 1.5	1: 2	H7260-03	
75	250	1×10^6	0.5	5	0.6	0.18	0.6	3	1: 1.7	1: 2.5	H7260-04	
175	500	1×10^6	1	10	0.6	0.18	0.6	3	1: 1.7	1: 2.5	H7260-20	
90	210	2×10^6	0.2	2	0.6	0.18	0.6	3	1: 1.5	1: 2	H7260-100	
110	270	2×10^6	0.2	2	0.6	0.18	0.6	3	1: 1.5	1: 2	H7260-200	

- Notes:** [Ⓙ] Anode characteristics are measured with the supply voltage.

LINEAR ARRAY MULTIANODE PMT ASSEMBLY AND MODULE

Figure 2: Typical Gain Characteristics

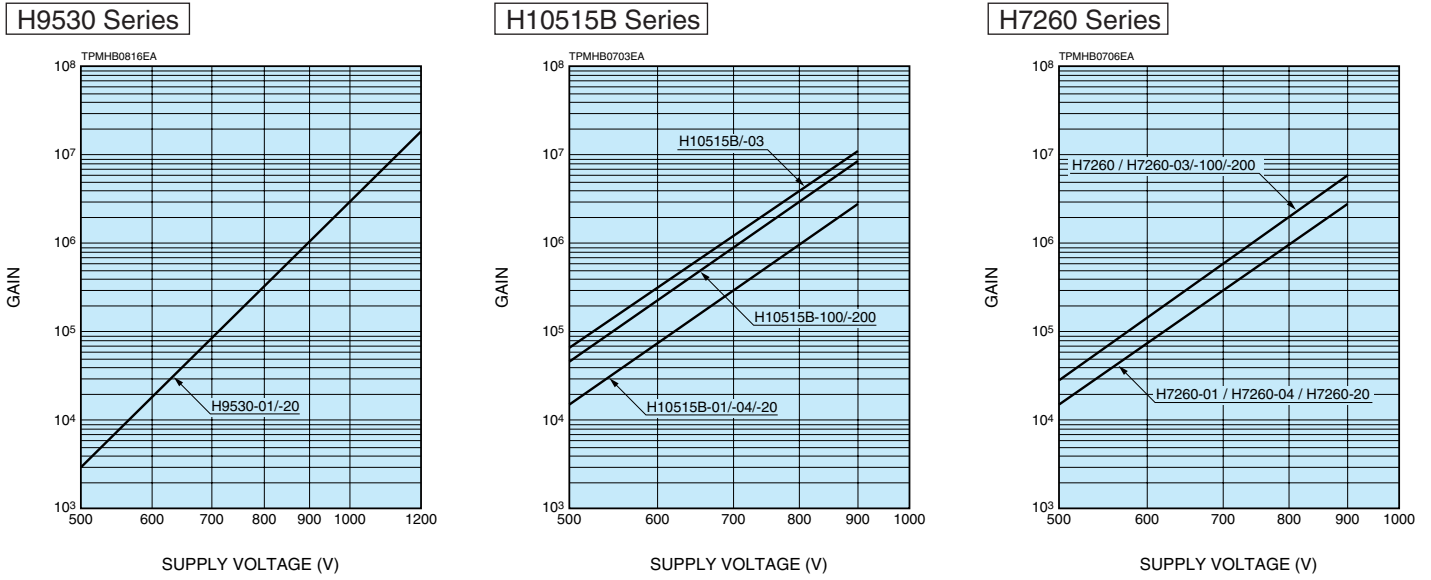
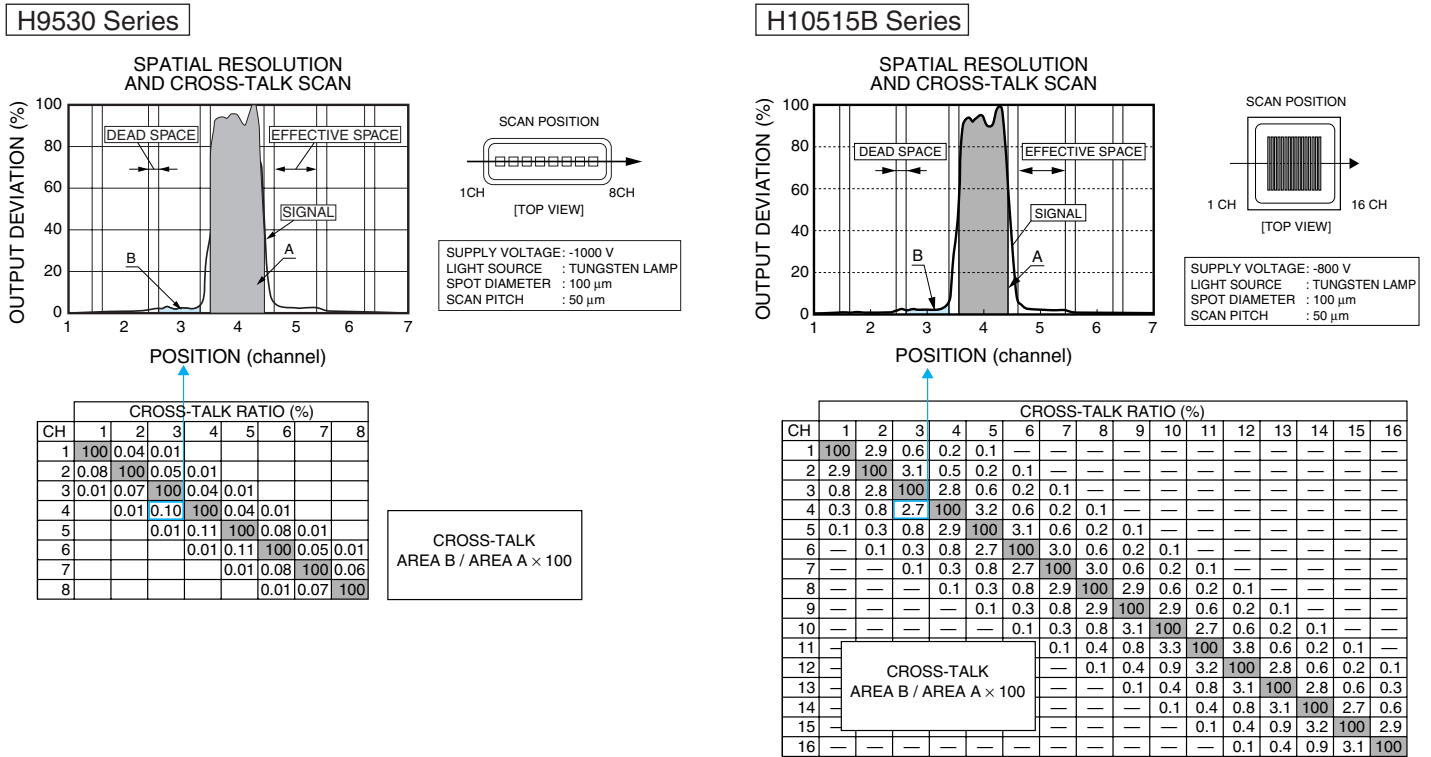
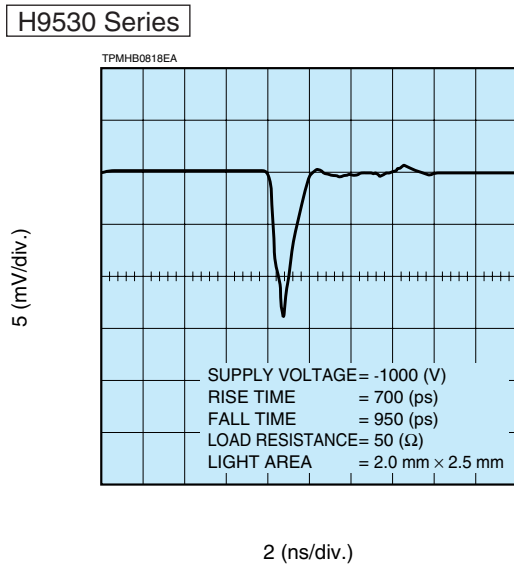


Figure 3: Cross-Talk (Example)

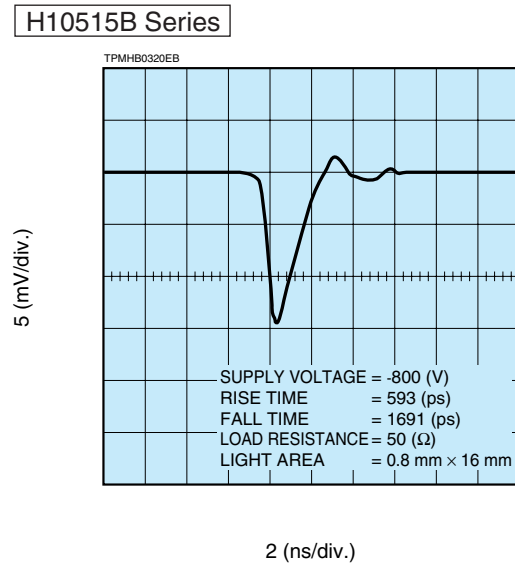


* H7260 series is equivalent to H10515B series.

Figure 4: Typical Time Response



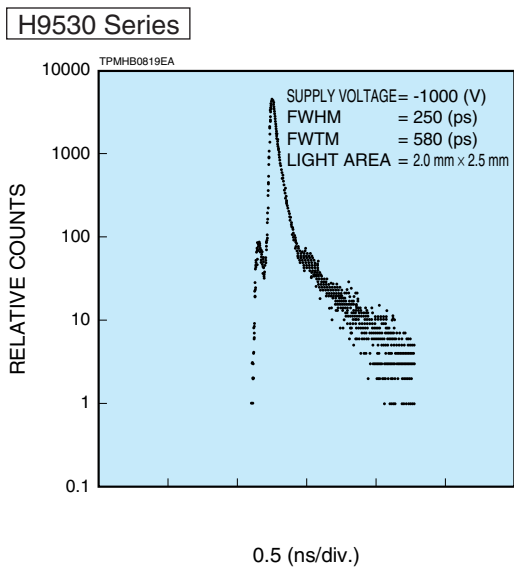
Light is irradiated to only one channel at this measurement.



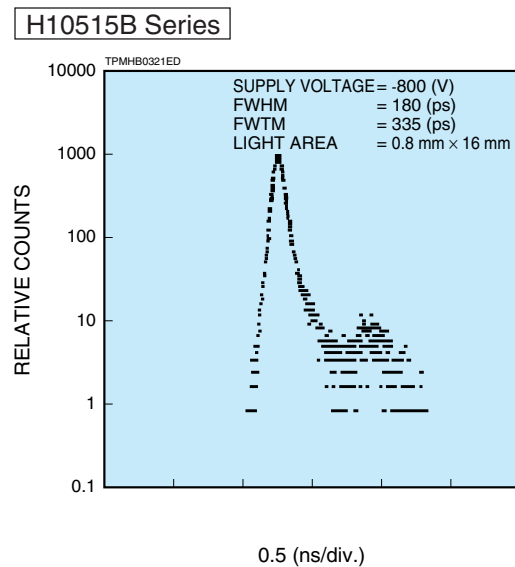
Light is irradiated to only one channel at this measurement.

* H7260 series is equivalent to H10515B series.

Figure 5: Typical Transit Time Spread Characteristics



Light is irradiated to only one channel at this measurement.



Light is irradiated to only one channel at this measurement.

* H7260 series is equivalent to H10515B series.

LINEAR ARRAY MULTIANODE PMT ASSEMBLY AND MODULE

Figure 6: Dimensional Outline (Unit: mm)

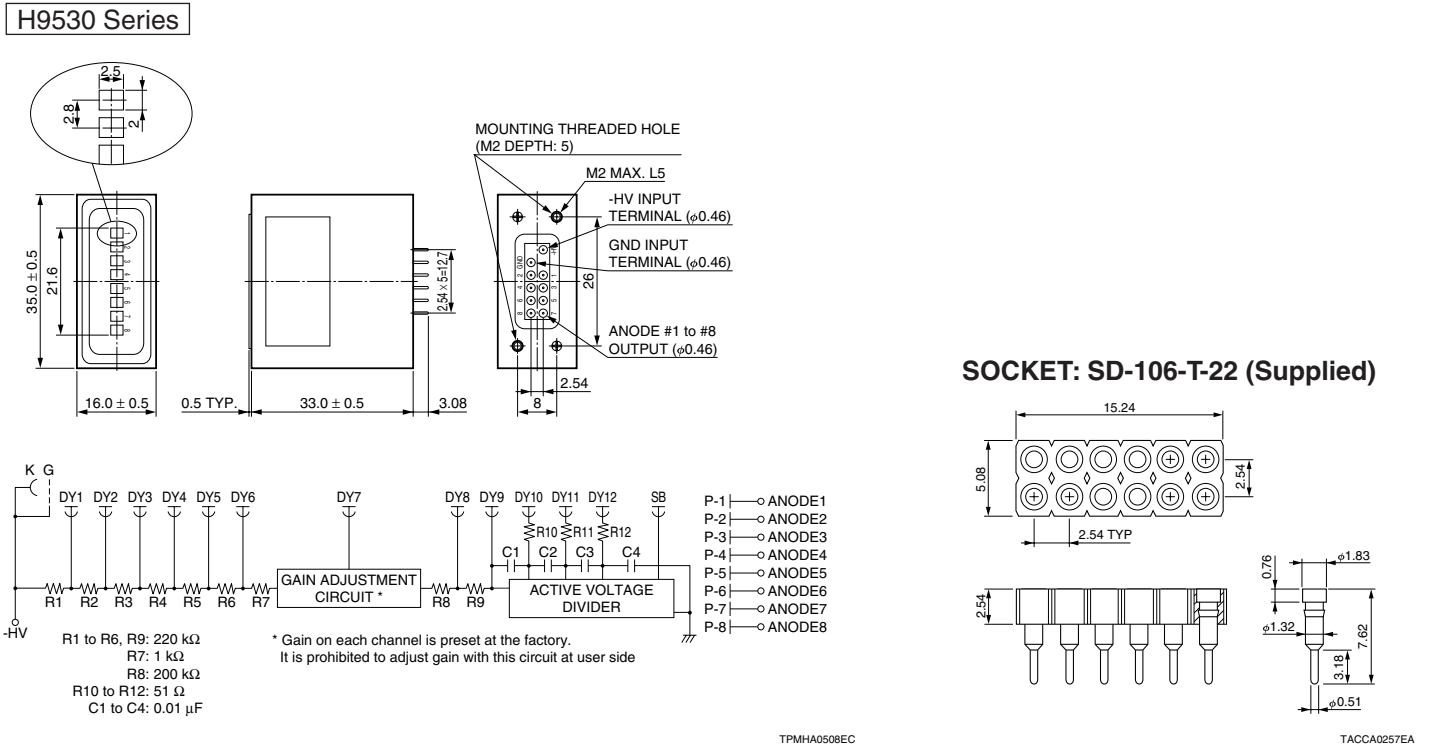


Figure 7: Dimensional Outline (Unit: mm)

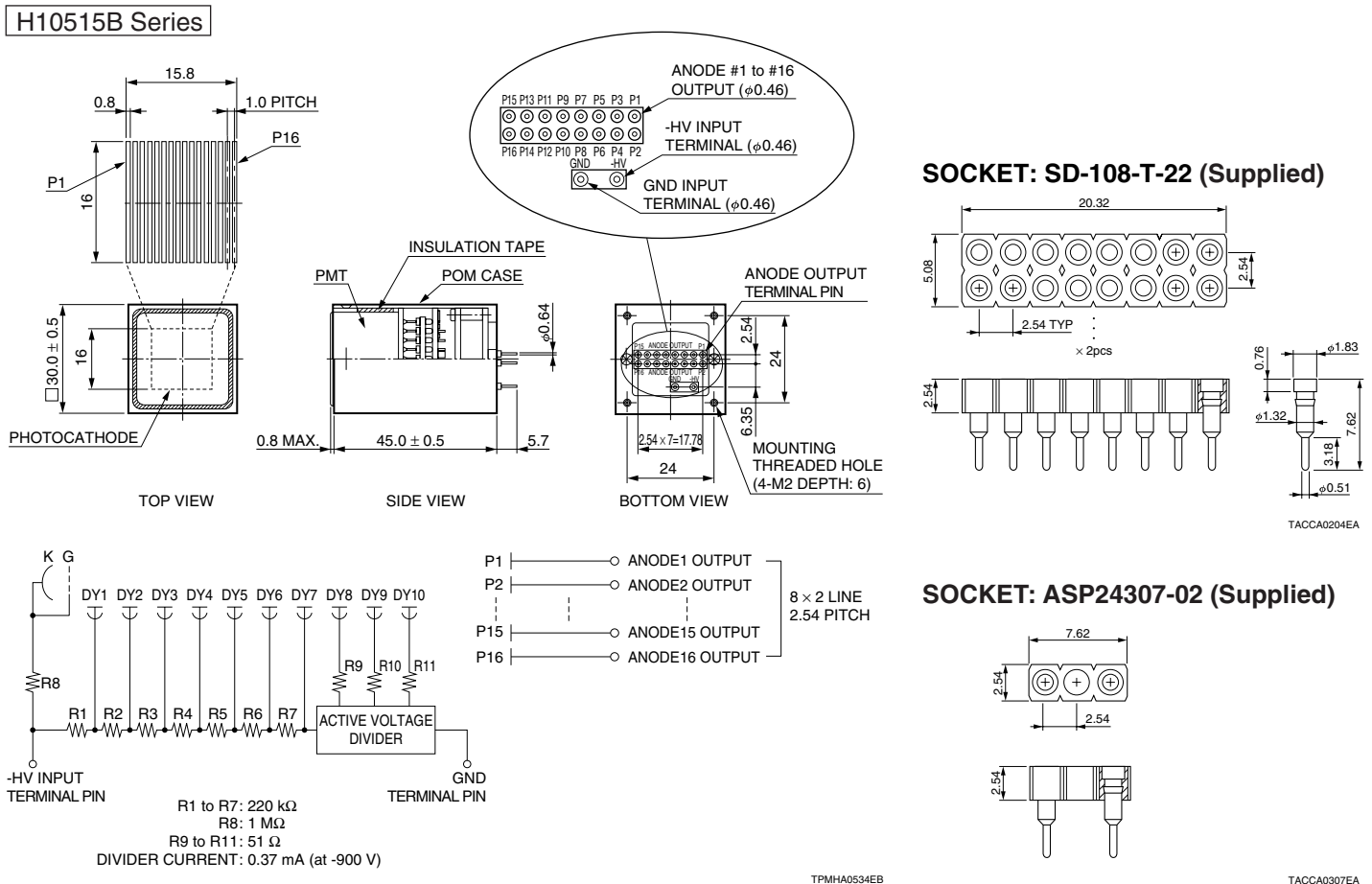
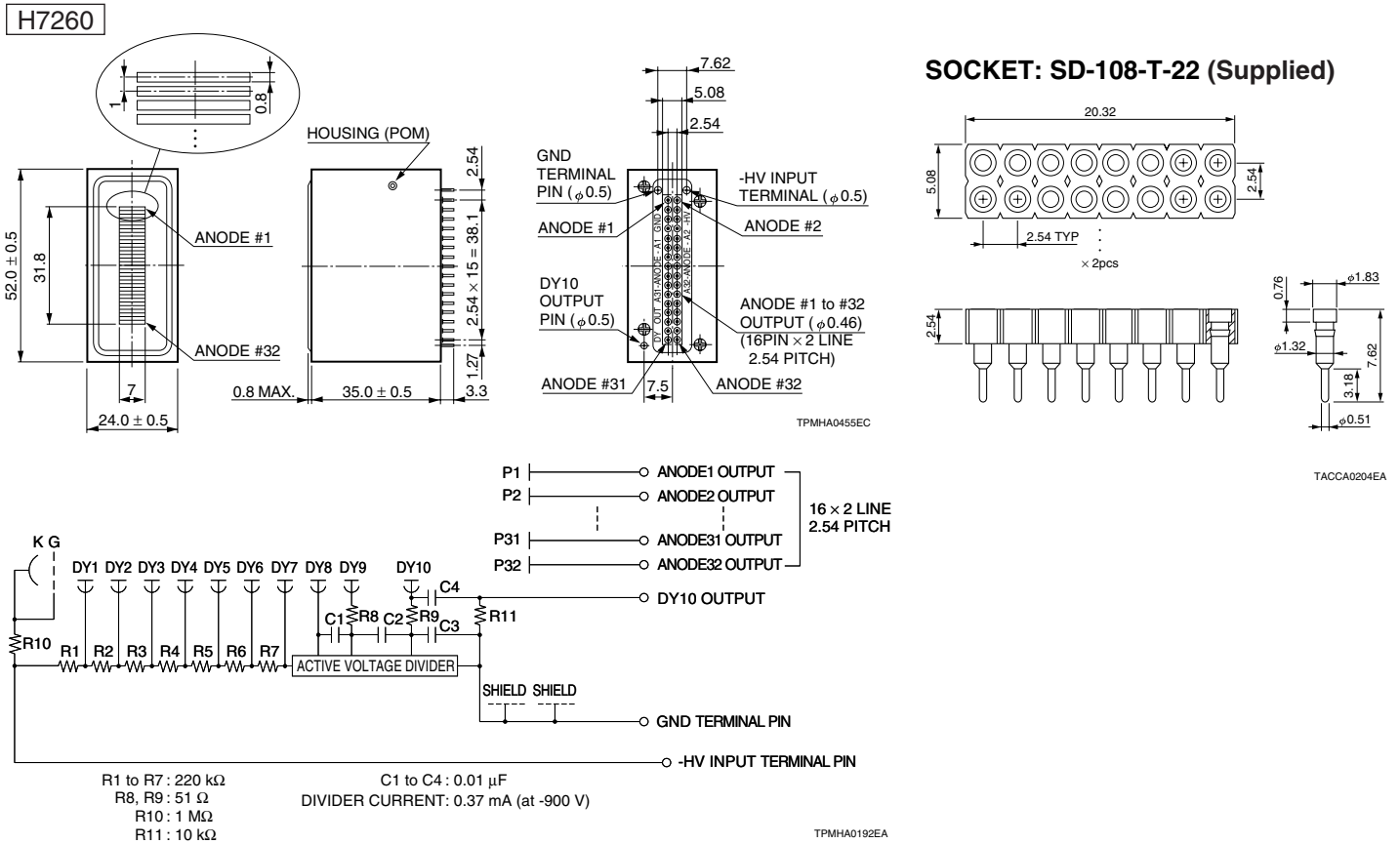
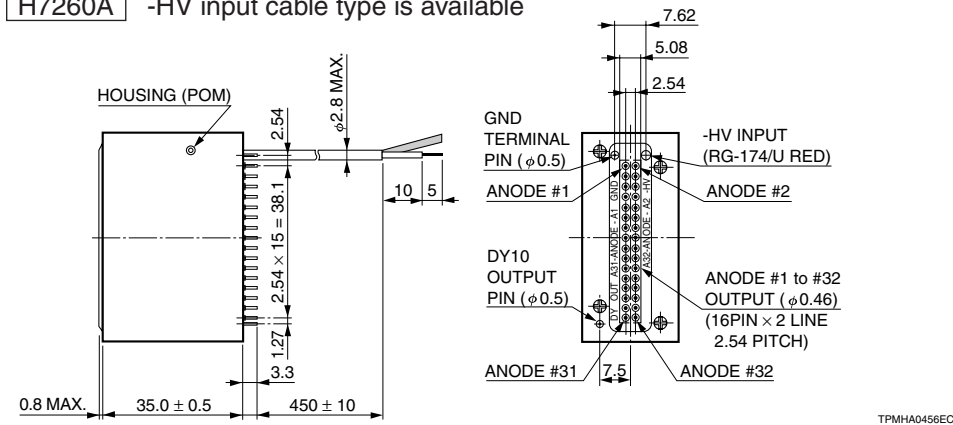


Figure 8: Dimensional Outline and Circuit Diagram (Unit: mm)



H7260A -HV input cable type is available



RELATED PRODUCTS for H9530 / H10515B / H7260 SERIES



C4900, C4900-01



C10673, C10673-01

HIGH VOLTAGE POWER SUPPLY UNIT

Type No.	Max. Output Voltage (V)	Output Current (mA)	Input Voltage (mA)	Dimensions (mm)	Weight (g)
C4900	-1250	0.6	+15	46 × 24 × 12	31
C4900-01		0.5	+12		
C10673		0.6	+15		
C10673-01		0.5	+12		

* C10673, C10673-01: UL recognized

LINEAR ARRAY MULTIANODE PMT ASSEMBLY AND MODULE

SPECIFICATIONS OF MODULE TYPES

Type No.	Anode Type		Dimensional Outline	Effective Area per Channel (mm)	Channel Pitch (mm)	Maximum Ratings			
						Input Voltage (V)	Control Voltage (V)	Output Signal Voltage	
								DC Output per Channel (V)	Pulse Output per Channel (V)
H11451 SERIES	8-Channel Linear Array		See Fig.10	2.0 × 2.5	2.8	±16	+4.8	+1	+10
H11452 SERIES	8-Channel Linear Array		See Fig.11	2.0 × 2.5	2.8	±16	+4.8	+1	+10
H11459 SERIES	16-Channel Linear Array		See Fig.12	0.8 × 16	1	±16	+3.6	+1	+10
H11460 SERIES	32-Channel Linear Array		See Fig.13	0.8 × 7	1	±16	+3.6	+1	+10

Notes: (A) Input impedance = 400 kΩ

(B) Load resistance = 10 kΩ

(C) Pulse width = 10 μs, Duty ratio = 1/100

* Operating ambient temperature: +5 °C to +45 °C

Storage temperature: -15 °C to +45 °C

Type No.	Spectral Response		Photocathode Material ^(E)	Window Material ^(F)	Cathode Characteristics				
	Range (nm)	Peak Wavelength (nm)			Luminous		Blue Sensitivity Index (CS 5-58) Typ.	Red /White Ratio (R-68) Typ.	Radiant ^(G) Typ. (mA/W)
					Min. (μA/lm)	Typ. (μA/lm)			
H11451-01	300 to 880	420	MA	B	150	250	—	0.3	65
H11451-20	300 to 920	630	MA	B	350	500	—	0.45	78
H11452-01	300 to 880	420	MA	B	150	250	—	0.3	65
H11452-20	300 to 920	630	MA	B	350	500	—	0.45	78
H11459	300 to 650	420	BA	B	50	70	8.5	—	72
H11459-01	300 to 880	420	MA	B	150	250	—	0.3	65
H11459-03	185 to 650	420	BA	U	50	70	8.5	—	72
H11459-04	185 to 880	420	MA	U	150	250	—	0.3	65
H11459-20	300 to 920	630	MA	B	350	500	—	0.45	78
H11459-100	300 to 650	400	SBA	B	90	105	13.5	—	110
H11459-200	300 to 650	400	UBA	B	110	135	15.5	—	130
H11460	300 to 650	420	BA	B	50	70	8.5	—	72
H11460-01	300 to 880	420	MA	B	150	250	—	0.3	65
H11460-03	185 to 650	420	BA	U	50	70	8.5	—	72
H11460-04	185 to 880	420	MA	U	150	250	—	0.3	65
H11460-20	300 to 920	630	MA	B	350	500	—	0.45	78
H11460-100	300 to 650	400	SBA	B	90	105	13.5	—	110
H11460-200	300 to 650	400	UBA	B	110	135	15.5	—	130

Notes: (E) BA: Bialkali MA: Multialkali SBA: Super Bialkali UBA: Ultra Bialkali

(F) B: Borosilicate glass U: UV glass

(G) Measured at the peak wavelength

(at 25 °C)

Current-to-Voltage Conversion Factory (V/μA)	Frequency Bandwidth	Input Voltage (V)	Input Current Typ. (mA) [Ⓓ]	Recommended Control Voltage Adjustment Range (V) [Ⓐ]	Weight (g)	Features	Type No.
0.1	DC to 1 MHz	±11.5 to ±15.5	+26 / -18	+0.5 to +4.6	101	H9530 with preamplifier and high voltage power supply	H11451 SERIES
0.1	DC to 1 MHz	±11.5 to ±15.5	+32 / -18	+0.5 to +4.6	155	H11451 with gain control function	H11452 SERIES
0.1	DC to 1 MHz	±11.5 to ±15.5	+46 / -42	+0.5 to +3.4	154	H10515B with preamplifier and high voltage power supply	H11459 SERIES
0.1	DC to 1 MHz	±11.5 to ±15.5	+127 / -83	+0.5 to +3.4	154	H7260 with preamplifier and high voltage power supply	H11460 SERIES

Notes: [Ⓓ] At ±15 V input voltage

(at 25 °C)

Anode Characteristics [Ⓗ]				Offset Voltage Max. (mV)	Ripple Noise (peak to peak) Typ. (mV)	Cross-talk Typ. (%)	Uniformity Between Each Anode		Type No.
Luminous		Voltage Output Depending on PMT Dark Current per Channel [Ⓘ]					Typ.	Max.	
Min. (V/lm)	Typ. (V/lm)	Typ. (mV)	Max. (mV)						
7.5 × 10 ⁶	7.5 × 10 ⁷	0.05	0.5	±2	1	0.2	—	1: 1.1	H11451-01
1.75 × 10 ⁷	1.5 × 10 ⁸	0.1	1	±2	1	0.2	—	1: 1.1	H11451-20
7.5 × 10 ⁶	7.5 × 10 ⁷	0.05	0.5	±2	1	0.2	1: 1.7	1: 2.5	H11452-01
1.75 × 10 ⁷	1.5 × 10 ⁸	0.1	1	±2	1	0.2	1: 1.7	1: 2.5	H11452-20
5.0 × 10 ⁶	2.8 × 10 ⁷	0.02	0.2	±2	1	3	1: 1.5	1: 2	H11459
7.5 × 10 ⁶	2.5 × 10 ⁷	0.05	0.5	±2	1	3	1: 1.7	1: 2.5	H11459-01
5.0 × 10 ⁶	2.8 × 10 ⁷	0.02	0.2	±2	1	3	1: 1.5	1: 2	H11459-03
7.5 × 10 ⁶	2.5 × 10 ⁷	0.05	0.5	±2	1	3	1: 1.7	1: 2.5	H11459-04
1.75 × 10 ⁷	5.0 × 10 ⁷	0.1	1	±2	1	3	1: 1.7	1: 2.5	H11459-20
9.0 × 10 ⁶	3.15 × 10 ⁷	0.02	0.2	±2	1	3	1: 1.5	1: 2	H11459-100
1.1 × 10 ⁷	4.05 × 10 ⁷	0.02	0.2	±2	1	3	1: 1.5	1: 2	H11459-200
5.0 × 10 ⁶	1.4 × 10 ⁷	0.02	0.2	±2	1	3	1: 1.5	1: 2	H11460
7.5 × 10 ⁶	2.5 × 10 ⁷	0.05	0.5	±2	1	3	1: 1.7	1: 2.5	H11460-01
5.0 × 10 ⁶	1.4 × 10 ⁷	0.02	0.2	±2	1	3	1: 1.5	1: 2	H11460-03
7.5 × 10 ⁶	2.5 × 10 ⁷	0.05	0.5	±2	1	3	1: 1.7	1: 2.5	H11460-04
1.75 × 10 ⁷	5.0 × 10 ⁷	0.1	1	±2	1	3	1: 1.7	1: 2.5	H11460-20
9.0 × 10 ⁶	2.1 × 10 ⁷	0.02	0.2	±2	1	3	1: 1.5	1: 2	H11460-100
1.1 × 10 ⁷	2.7 × 10 ⁷	0.02	0.2	±2	1	3	1: 1.5	1: 2	H11460-200

Notes: [Ⓗ] Control Voltage = H11451 Series / H11452 Series: +4 V
H11459 Series / H11460 Series: +3.2 V

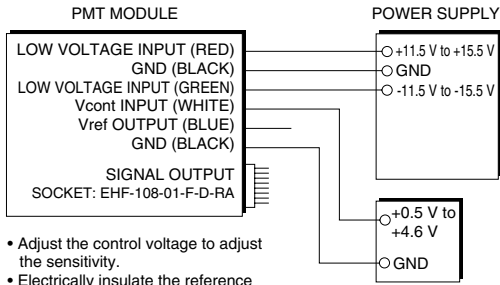
[Ⓘ] After 30 minutes storage in darkness

LINEAR ARRAY MULTIANODE PMT ASSEMBLY AND MODULE

Figure 9: Sensitivity Adjustment Method

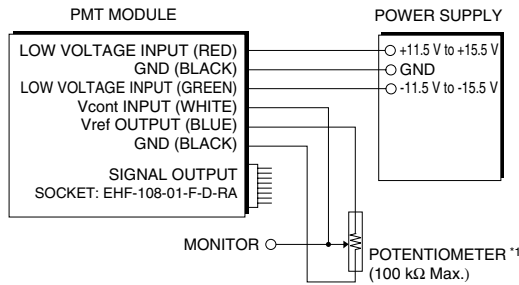
H11451 / H11452

VOLTAGE PROGRAMMING



- Adjust the control voltage to adjust the sensitivity.
- Electrically insulate the reference voltage output.

RESISTANCE PROGRAMMING

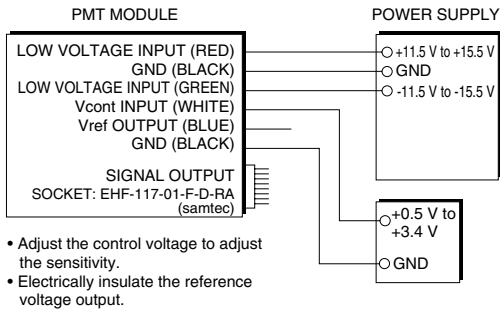


*1: When using a potentiometer to adjust sensitivity, monitor the control voltage so it does not exceed +4.8 V.

TPMHC0241EA

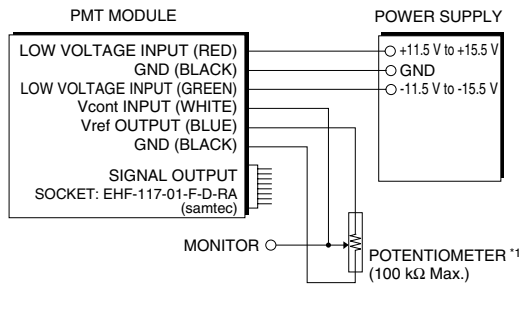
H11459 / H11460

VOLTAGE PROGRAMMING



- Adjust the control voltage to adjust the sensitivity.
- Electrically insulate the reference voltage output.

RESISTANCE PROGRAMMING

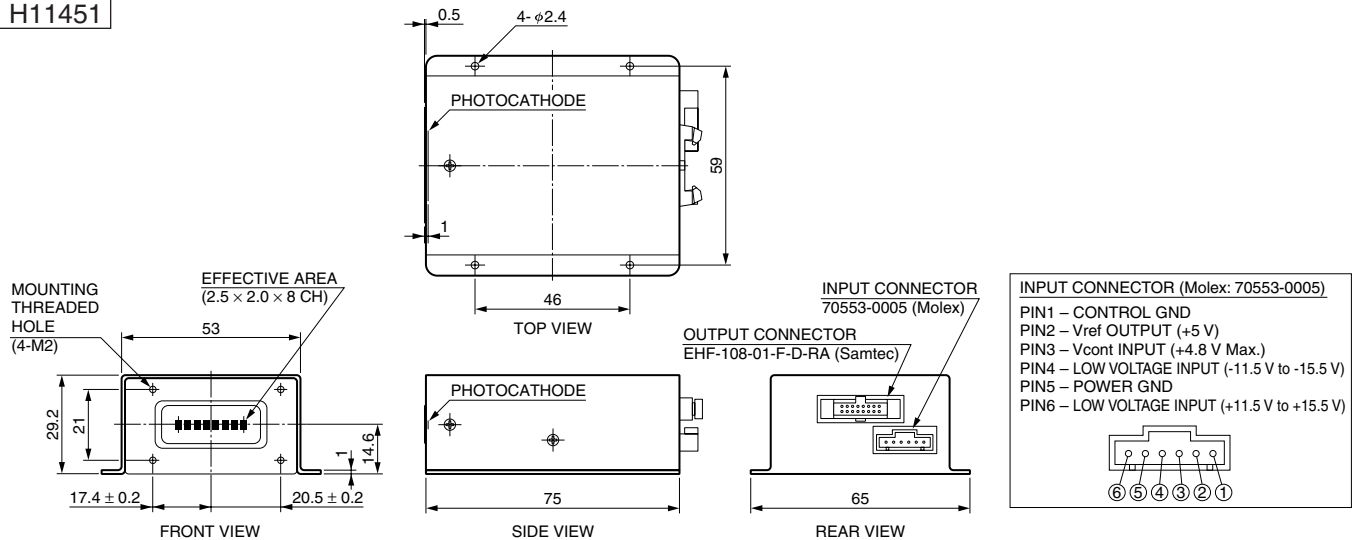


*1: When using a potentiometer to adjust sensitivity, monitor the control voltage so it does not exceed +3.6 V.

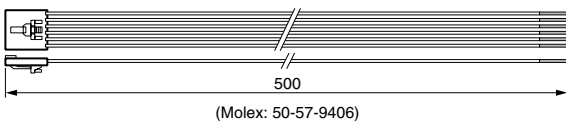
TPMHC0242EA

Figure 10: Dimensional Outline (Unit: mm)

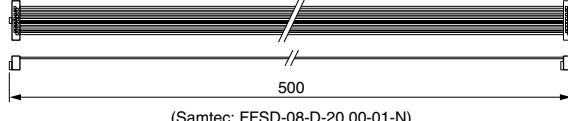
H11451



POWER CABLE (SUPPLIED)

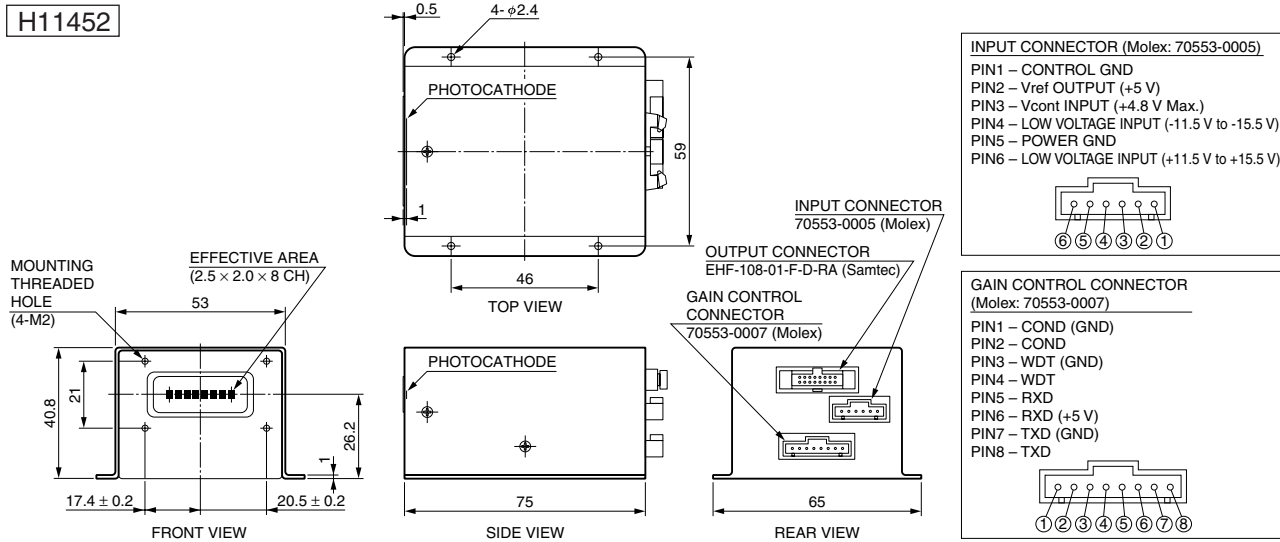


RIBBON CABLE (SUPPLIED)

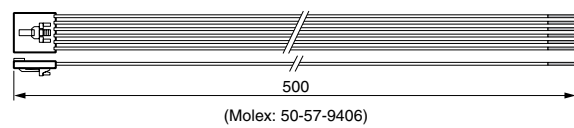


TPMHA0567EA

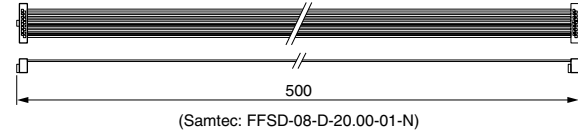
Figure 11: Dimensional Outline (Unit: mm)



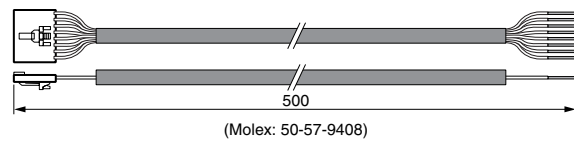
POWER CABLE (SUPPLIED)



RIBBON CABLE (SUPPLIED)

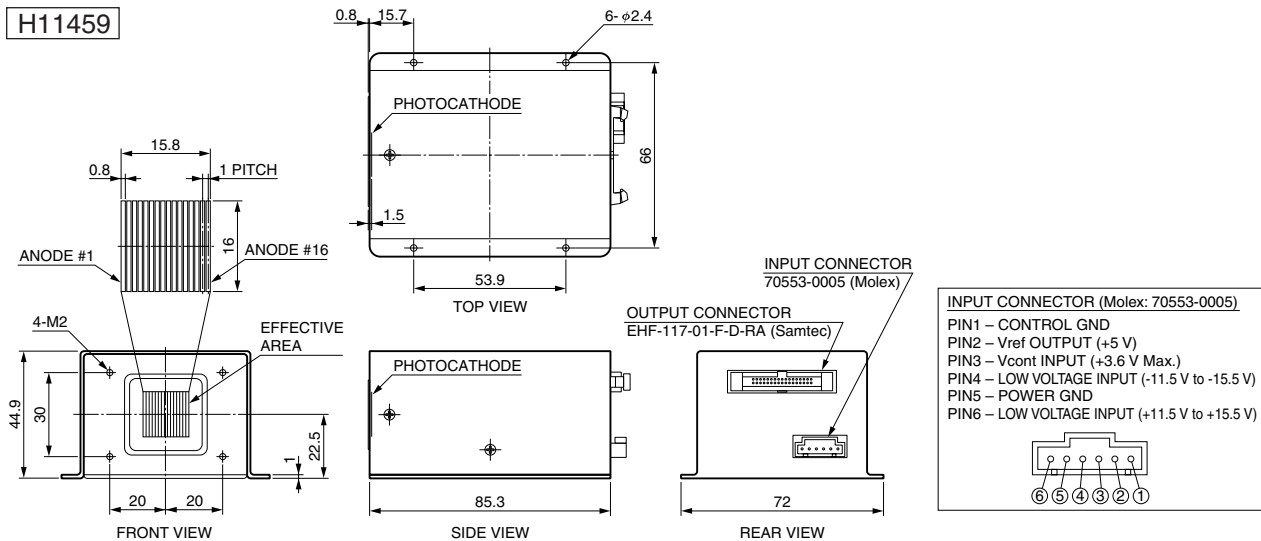


GAIN CONTROL CABLE (SUPPLIED)

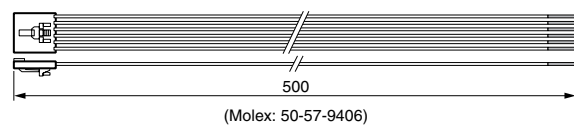


TPMHA0568EA

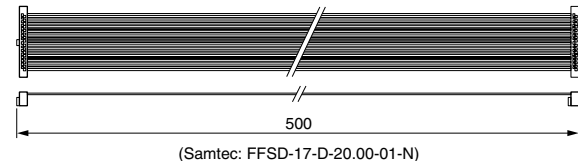
Figure 12: Dimensional Outline (Unit: mm)



POWER CABLE (SUPPLIED)



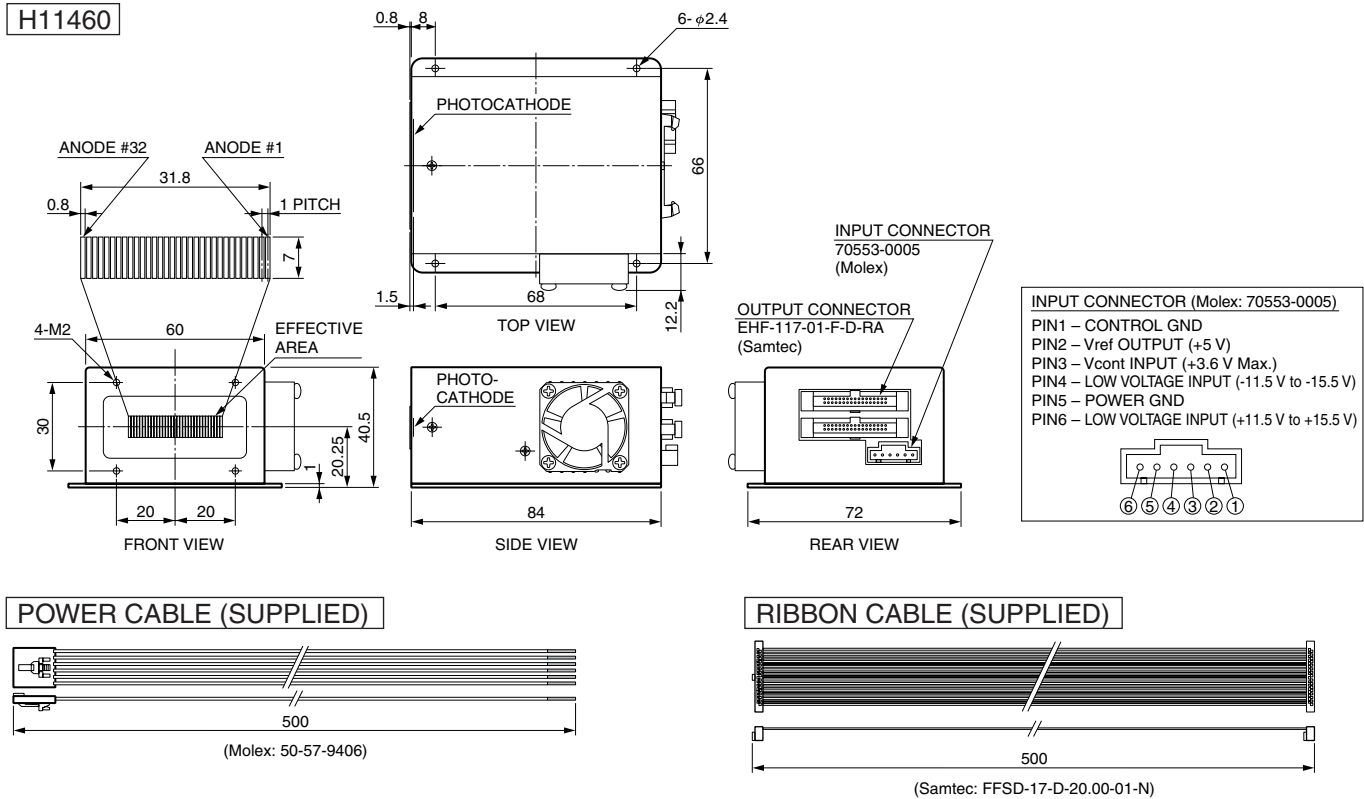
RIBBON CABLE (SUPPLIED)



TPMHA0569EA

LINEAR ARRAY MULTIANODE PMT ASSEMBLY AND MODULE

Figure 13: Dimensional Outline (Unit: mm)



TPMHA0570EA

⚠ WARNING ~ High Voltage ~

The product is operated at high voltage potential. Further, the metal housing of the product is connected to the photocathode (potential) so that it becomes a high voltage potential when the product is operated at a negative high voltage (anode grounded). Accordingly, extreme safety care must be taken for the electrical shock hazard to the operator or the damage to the other instruments.

* PATENT: USA Pat. No. 5410211 PATENT PENDING: JAPAN 12, USA 8, EUROPE 9

HAMAMATSU PHOTONICS K.K. www.hamamatsu.com

HAMAMATSU PHOTONICS K.K., Electron Tube Division

314-5, Shimokanzo, Iwata City, Shizuoka Pref., 438-0193, Japan, Telephone: (81)539/62-5248, Fax: (81)539/62-2205

U.S.A.: Hamamatsu Corporation: 360 Foothill Road, P. O. Box 6910, Bridgewater, N.J. 08807-0910, U.S.A., Telephone: (1)908-231-0960, Fax: (1)908-231-1218 E-mail: usa@hamamatsu.com

Germany: Hamamatsu Photonics Deutschland GmbH: Arzbergerstr. 10, D-82211 Herrsching am Ammersee, Germany, Telephone: (49)8152-375-0, Fax: (49)8152-2658 E-mail: info@hamamatsu.de

France: Hamamatsu Photonics France S.A.R.L.: 19, Rue du Saule Trapu, Parc du Moulin de Massy, 91882 Massy Cedex, France, Telephone: (33)1 69 53 71 00, Fax: (33)1 69 53 71 10 E-mail: infos@hamamatsu.fr

United Kingdom: Hamamatsu Photonics UK Limited: 2 Howard Court, 10 Tewin Road Welwyn Garden City Hertfordshire AL7 1BW, United Kingdom, Telephone: 44-(0)1707-294888, Fax: 44(0)1707-325777 E-mail: info@hamamatsu.co.uk

North Europe: Hamamatsu Photonics Norden AB: Smidesvägen 12, SE-171-41 SOLNA, Sweden, Telephone: (46)8-509-031-00, Fax: (46)8-509-031-01 E-mail: info@hamamatsu.se

Italy: Hamamatsu Photonics Italia: S.R.L.: Strada della Moia, 1/E, 20020 Arese, (Milano), Italy, Telephone: (39)02-935 81 733, Fax: (39)02-935 81 741 E-mail: info@hamamatsu.it

TPMH1325E01
MAR. 2011 IP



Artisan Technology Group is your source for quality new and certified-used/pre-owned equipment

- FAST SHIPPING AND DELIVERY
- TENS OF THOUSANDS OF IN-STOCK ITEMS
- EQUIPMENT DEMOS
- HUNDREDS OF MANUFACTURERS SUPPORTED
- LEASING/MONTHLY RENTALS
- ITAR CERTIFIED SECURE ASSET SOLUTIONS

SERVICE CENTER REPAIRS

Experienced engineers and technicians on staff at our full-service, in-house repair center

*InstraView*SM REMOTE INSPECTION

Remotely inspect equipment before purchasing with our interactive website at www.instraview.com ↗

WE BUY USED EQUIPMENT

Sell your excess, underutilized, and idle used equipment. We also offer credit for buy-backs and trade-ins. www.artisanng.com/WeBuyEquipment ↗

LOOKING FOR MORE INFORMATION?

Visit us on the web at www.artisanng.com ↗ for more information on price quotations, drivers, technical specifications, manuals, and documentation

Contact us: (888) 88-SOURCE | sales@artisanng.com | www.artisanng.com