



Artisan Scientific

QUALITY INSTRUMENTATION ... GUARANTEED

Looking for more information?

Visit us on the web at <http://www.artisan-scientific.com> for more information:

- Price Quotations
- Drivers
- Technical Specifications, Manuals and Documentation

Artisan Scientific is Your Source for Quality New and Certified-Used/Pre-owned Equipment

- Tens of Thousands of In-Stock Items
- Hundreds of Manufacturers Supported
- Fast Shipping and Delivery
- Leasing / Monthly Rentals
- Equipment Demos
- Consignment

Service Center Repairs

Experienced Engineers and Technicians on staff in our State-of-the-art Full-Service In-House Service Center Facility

InstraView™ Remote Inspection

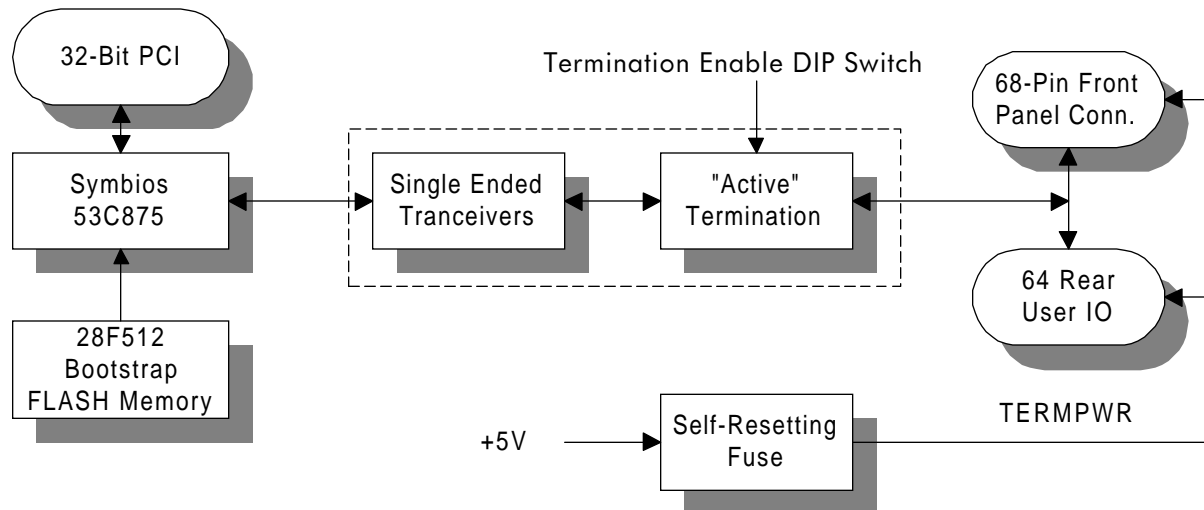
Remotely inspect equipment before purchasing with our Innovative InstraView™ website at <http://www.instraview.com>

We buy used equipment! We also offer credit for Buy-Backs and Trade-Ins

Sell your excess, underutilized, and idle used equipment. Contact one of our Customer Service Representatives today!

Talk to a live person: 888-88-SOURCE (888-887-6872) | Contact us by email: sales@artisan-scientific.com | Visit our website: <http://www.artisan-scientific.com>

Single Ended Fast/Wide SCSI Adapter



The SCSI PMC adapter from Technobox interfaces a host board PCI bus to a standard SCSI interface via a 53C875 controller, using single-ended signalling.

The SCSI bus is available out the front panel using a 68-pin connector recommended by the ANSI X3.131 specification, which governs SCSI implementation. It is also available out the rear 64 user I/Os on the PMC, which are in turn connected to the P2 connector of a VMEbus host processor supporting rear I/O connectivity. A paddle card is available from Technobox to convert the 64-pin P2 connector back into the 68-pin SCSI connector.

This product supports single-ended SCSI interface operation. An "active" termination network for each SCSI signal line terminates the SCSI bus. A DIP Switch on the PMC card allows the user to either enable or disable the Termination function.

The 53C875 SCSI controller from Symbios Logic (formerly NCR Microelectronics) features an intelligent processing engine which executes special programs (*Scripts*) in the host processor memory to effect SCSI sequences. This reduces processor overhead in handling the SCSI interface operation.

The 53C875 controller supports 1-byte and 2-byte wide SCSI buses (2-byte = "Wide") operating in either asynchronous or synchronous (i.e., "Fast") protocol. The FAST-20 SCSI specification, which permits 20 MB/s or 40 MB/s transfer rate on a 1-byte or 2-byte wide SCSI bus, is supported by the 53C875, enabling synchronous mode transfers at up to 40 MB/s.

The SCSI PMC adapter provides termination power ("TERMPWR") through a Schottky diode as is typically done in most SCSI implementations. This design features a self-resetting fuse which automatically shuts off when excessive TERMPWR current is supplied to the SCSI bus. This self-resetting fuse will automatically re-power the SCSI interface following removal of the offending short circuit.

This design also supports the Bootstrap FLASH memory option, where users can store boot-up code on the PMC. Most applications, however, will use driver code installed and running in the host processor, so the Bootstrap FLASH memory is unused.

Software supplied with this product consists of the binary object code usually licensed with the sale of each Symbios part. Please contact Symbios or Technobox for more information regarding software support.



Artisan Scientific

QUALITY INSTRUMENTATION ... GUARANTEED

Looking for more information?

Visit us on the web at <http://www.artisan-scientific.com> for more information:

- Price Quotations
- Drivers
- Technical Specifications, Manuals and Documentation

Artisan Scientific is Your Source for Quality New and Certified-Used/Pre-owned Equipment

- Tens of Thousands of In-Stock Items
- Hundreds of Manufacturers Supported
- Fast Shipping and Delivery
- Leasing / Monthly Rentals
- Equipment Demos
- Consignment

Service Center Repairs

Experienced Engineers and Technicians on staff in our State-of-the-art Full-Service In-House Service Center Facility

InstraView™ Remote Inspection

Remotely inspect equipment before purchasing with our Innovative InstraView™ website at <http://www.instraview.com>

We buy used equipment! We also offer credit for Buy-Backs and Trade-Ins

Sell your excess, underutilized, and idle used equipment. Contact one of our Customer Service Representatives today!

Talk to a live person: 888-88-SOURCE (888-887-6872) | Contact us by email: sales@artisan-scientific.com | Visit our website: <http://www.artisan-scientific.com>