



Artisan Technology Group is your source for quality new and certified-used/pre-owned equipment

- FAST SHIPPING AND DELIVERY
- TENS OF THOUSANDS OF IN-STOCK ITEMS
- EQUIPMENT DEMOS
- HUNDREDS OF MANUFACTURERS SUPPORTED
- LEASING/MONTHLY RENTALS
- ITAR CERTIFIED SECURE ASSET SOLUTIONS

SERVICE CENTER REPAIRS

Experienced engineers and technicians on staff at our full-service, in-house repair center

*InstraView*SM REMOTE INSPECTION

Remotely inspect equipment before purchasing with our interactive website at www.instraview.com ↗

WE BUY USED EQUIPMENT

Sell your excess, underutilized, and idle used equipment. We also offer credit for buy-backs and trade-ins. www.artisanng.com/WeBuyEquipment ↗

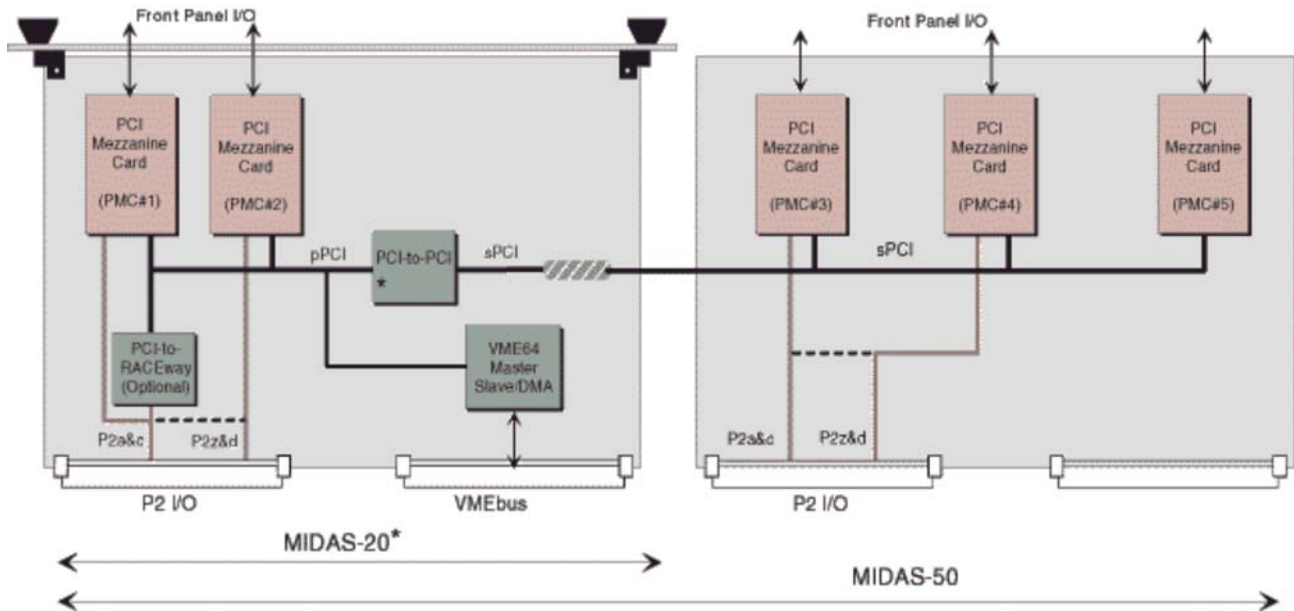
LOOKING FOR MORE INFORMATION?

Visit us on the web at www.artisanng.com ↗ for more information on price quotations, drivers, technical specifications, manuals, and documentation

Contact us: (888) 88-SOURCE | sales@artisanng.com | www.artisanng.com

MIDAS-20/50 Series

PMC Carrier for VMEbus/RACEway



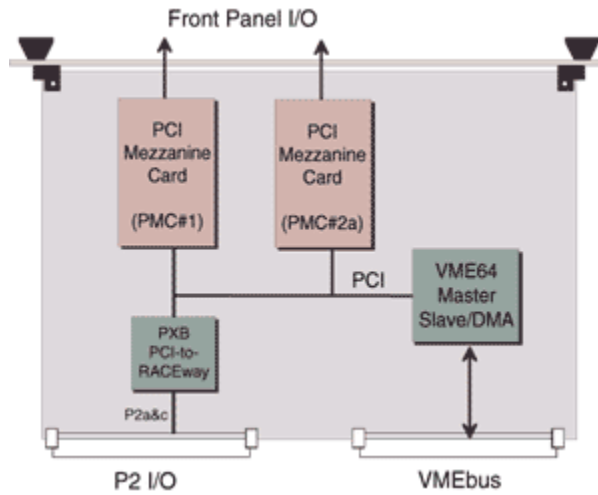
*) MIDAS-20 does not include the PCI-to-PCI bridge

- Carrier for 2-5 PMC modules, all accessible from VMEbus and RACEway.
- PCI-to-RACEway interface with 120MB/s sustained bandwidth (optional).
- VME64 Master / Slave interface w/ DMA and Slot-1 controller ("Universe™"-chip).
- Interrupts transferred between PMC modules and VMEbus / RACEway.
- Front-panel or P2 I/O from PMC modules.
- 5-row DIN connector for additional I/O, power and GND (optional).
- AutoSlot ID supported.

MIDAS-20 is a PMC Carrier for VMEbus, holding two PMC-PCI Mezzanine Cards. MIDAS-50 holds up to five PMC modules, using two VME slots. The boards are designed for cost-effective integration of PCI I/O functions into a VMEbus or RACEway system where no local memory or processing is required.

RACEway Version

The RACEway version of the MIDAS-20/50 (-R option) integrates a PCI-to-RACEway interface directly on the board. This offers 132 Mbytes/sec peak performance, with up to 120 MBytes/sec sustained performance.

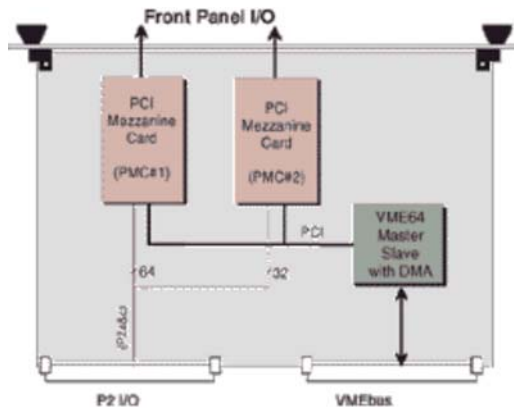


MIDAS-20R, 2xPMC Carrier for RACEway

5-Row DIN Connector

The MIDAS-20/50 boards are also available with the new 5-row DIN connector for additional I/O, power and GND (-Z option).

This allows each PMC module to have its own I/O lines separately brought out through the P2 connector.



MIDAS-20 shown with standard 3-row DIN P2 I/O configuration.

Ordering Information

Part no.

M20

MIDAS-20, 2 x PMC Carrier

M50

MIDAS-50, 5 x PMC Carrier

Options

R

RACEway Interface

Z

5-row DIN connector (*M20 only*)



Artisan Technology Group is your source for quality new and certified-used/pre-owned equipment

- FAST SHIPPING AND DELIVERY
- TENS OF THOUSANDS OF IN-STOCK ITEMS
- EQUIPMENT DEMOS
- HUNDREDS OF MANUFACTURERS SUPPORTED
- LEASING/MONTHLY RENTALS
- ITAR CERTIFIED SECURE ASSET SOLUTIONS

SERVICE CENTER REPAIRS

Experienced engineers and technicians on staff at our full-service, in-house repair center

*InstraView*SM REMOTE INSPECTION

Remotely inspect equipment before purchasing with our interactive website at www.instraview.com ↗

WE BUY USED EQUIPMENT

Sell your excess, underutilized, and idle used equipment. We also offer credit for buy-backs and trade-ins. www.artisanng.com/WeBuyEquipment ↗

LOOKING FOR MORE INFORMATION?

Visit us on the web at www.artisanng.com ↗ for more information on price quotations, drivers, technical specifications, manuals, and documentation

Contact us: (888) 88-SOURCE | sales@artisanng.com | www.artisanng.com