



Artisan Technology Group is your source for quality new and certified-used/pre-owned equipment

- FAST SHIPPING AND DELIVERY
- TENS OF THOUSANDS OF IN-STOCK ITEMS
- EQUIPMENT DEMOS
- HUNDREDS OF MANUFACTURERS SUPPORTED
- LEASING/MONTHLY RENTALS
- ITAR CERTIFIED SECURE ASSET SOLUTIONS

SERVICE CENTER REPAIRS

Experienced engineers and technicians on staff at our full-service, in-house repair center

*InstraView*SM REMOTE INSPECTION

Remotely inspect equipment before purchasing with our interactive website at www.instraview.com ↗

WE BUY USED EQUIPMENT

Sell your excess, underutilized, and idle used equipment. We also offer credit for buy-backs and trade-ins. www.artisanng.com/WeBuyEquipment ↗

LOOKING FOR MORE INFORMATION?

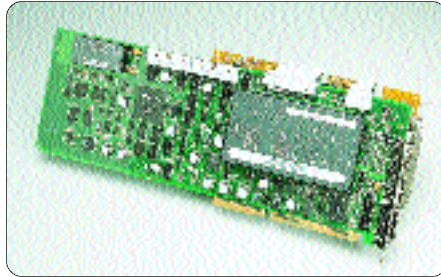
Visit us on the web at www.artisanng.com ↗ for more information on price quotations, drivers, technical specifications, manuals, and documentation

Contact us: (888) 88-SOURCE | sales@artisanng.com | www.artisanng.com

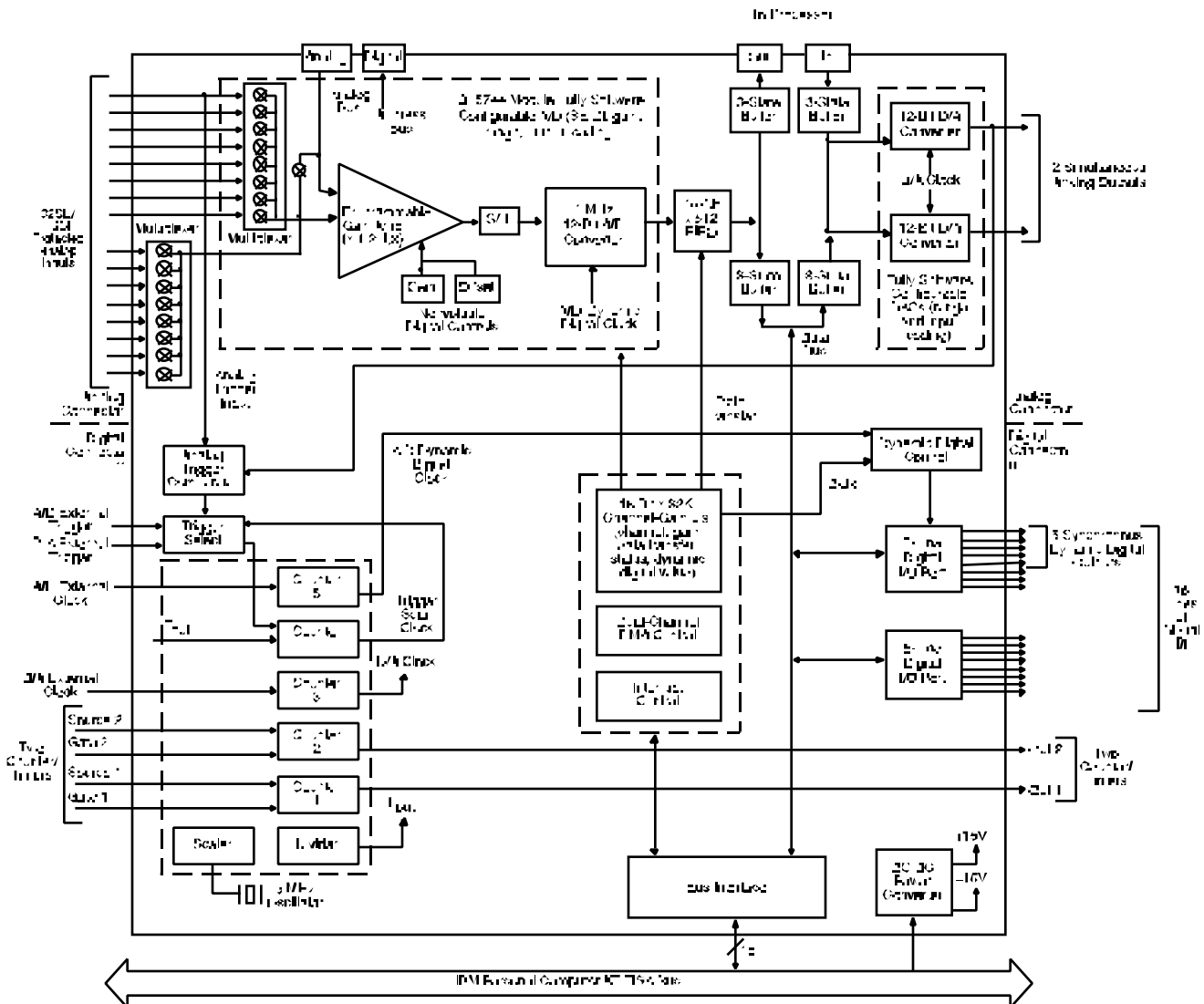
DT2839

High-Speed, High-Channel Count

The DT2839 analog and digital I/O board is optimized for sampling from one to 32 input channels at very high speeds (224 kS/s to 1 MHz). DT2839 control features include analog threshold triggering to start acquisition, variable scan for automatically sampling different channels at different rates, and Dynamic Digital™ circuitry for clocked digital outputs.



- Ideal for automotive, neuroscience and aerospace applications, since up to 32 inputs can be sampled at an aggregate rate of 416 kS/s
- “Hands-Off” design means all operating parameters are software-selectable



DT2839 Block Diagram

Configurations, Throughput, and Accessories

Configurations	Throughput and Channels		Accessories
	Input Channels	Gain	DT739 (needs EP248 or EP249)
DT2839			
✓	32SE/16DI	1	416 kS/s/1 MHz*
✓	32SE/16DI	1, 2, 4, 8	320 kS/s/1 MHz*

*Note: Bandwidth on DT2839 is 1.5 MHz, bandwidth of the DT2896 expander is 300 kS/s.

Technical Support

As you develop your application, technical support is available when you need it. Extensive information is available 24 hours a day on our web site at www.datatranslation.com, including drivers, example code, bug fixes, pinouts, a searchable KnowledgeBase, and much more.

Support is also available from your point of purchase. Telephone support is free for the first 90 days; you can also request complimentary support via e-mail or fax at any time. Additional support options are available; contact your Data Translation representative for details.

Summary

A/D: 32 SE/16 DI inputs (to 224 kS/s with two DT2896s); 12 bits; 1 MHz throughput, single channel, 416 kS/s multichannel, 224 kS/s with DT2896

D/A: 2 DACs; 12 bits; 130 kS/s throughput per DAC

Digital I/O: 16 lines organized as two 8-line ports; Dynamic Digital synchronous output on 5 lines of one port

Clocks, Counter/Timers: Two programmable clocks; two 16-bit counter/timers

Interface: Data transfer via: DT-Connect 16-bit to 10 MHz data ports, dual-channel DMA, single-channel DMA, or programmed I/O; 16-bit x 512 FIFO in A/D data path; one interrupt; software-selectable interrupt level, DMA channels

Ordering Summary

All Data Translation products are covered by a 1-year warranty. For pricing information, see a current price list, visit our web site, or contact your local reseller.

Each board ships with a DT-Open Layers device driver for Windows 95/98, diagnostics, EISA configuration file, and a comprehensive user manual.

DT2839

Accessories

DT739—Screw terminal panel

EP248—0.95 m (3.2 ft.) unshielded cable set

EP249—0.95 m (3.2 ft.) shielded cable set

Software

The following products include a copy of the software, a single-user license, and a user manual. All software is supplied on CD-ROM, except as noted.

- HP VEE with DT VPI visual programming software
Version 5.0 for Windows 95/98
SP1950-CD
- HP VEE Lab with DT VPI visual programming software
version 5.0 for Windows 95/98
SP1950-LAB
- TestPoint software for designing test, measurement and D/A applications for Windows 95/98
SPTPX-CD (see page 32 for details)
- DTx-EZ visual programming tools for Visual Basic and Visual C++ for Windows 95/98
SP0970-CD
- DataAcq SDK Software Development Kit for Windows 95/98
SP0945-CD
- DT-LV Link data acquisition connection to LabVIEW for Windows 95/98, on 3.5 in. 1.4 MB disk
SP0810-CL

© Copyright 2000 Data Translation, Inc. All rights reserved. All trademarks are the property of their respective holders. Prices, specifications, and availability are subject to change without notice.



Artisan Technology Group is your source for quality new and certified-used/pre-owned equipment

- FAST SHIPPING AND DELIVERY
- TENS OF THOUSANDS OF IN-STOCK ITEMS
- EQUIPMENT DEMOS
- HUNDREDS OF MANUFACTURERS SUPPORTED
- LEASING/MONTHLY RENTALS
- ITAR CERTIFIED SECURE ASSET SOLUTIONS

SERVICE CENTER REPAIRS

Experienced engineers and technicians on staff at our full-service, in-house repair center

*InstraView*SM REMOTE INSPECTION

Remotely inspect equipment before purchasing with our interactive website at www.instraview.com ↗

WE BUY USED EQUIPMENT

Sell your excess, underutilized, and idle used equipment. We also offer credit for buy-backs and trade-ins. www.artisanng.com/WeBuyEquipment ↗

LOOKING FOR MORE INFORMATION?

Visit us on the web at www.artisanng.com ↗ for more information on price quotations, drivers, technical specifications, manuals, and documentation

Contact us: (888) 88-SOURCE | sales@artisanng.com | www.artisanng.com