



Artisan Technology Group is your source for quality new and certified-used/pre-owned equipment

- FAST SHIPPING AND DELIVERY
- TENS OF THOUSANDS OF IN-STOCK ITEMS
- EQUIPMENT DEMOS
- HUNDREDS OF MANUFACTURERS SUPPORTED
- LEASING/MONTHLY RENTALS
- ITAR CERTIFIED SECURE ASSET SOLUTIONS

SERVICE CENTER REPAIRS

Experienced engineers and technicians on staff at our full-service, in-house repair center

*InstraView*SM REMOTE INSPECTION

Remotely inspect equipment before purchasing with our interactive website at www.instraview.com ↗

WE BUY USED EQUIPMENT

Sell your excess, underutilized, and idle used equipment. We also offer credit for buy-backs and trade-ins. www.artisanng.com/WeBuyEquipment ↗

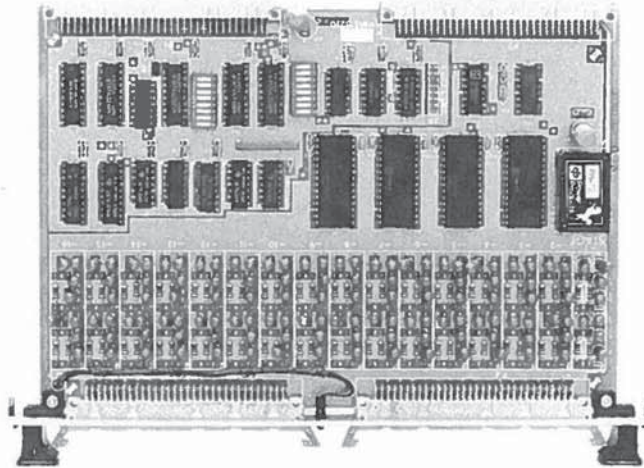
LOOKING FOR MORE INFORMATION?

Visit us on the web at www.artisanng.com ↗ for more information on price quotations, drivers, technical specifications, manuals, and documentation

Contact us: (888) 88-SOURCE | sales@artisanng.com | www.artisanng.com

VMIVME-3210

64-CHANNEL ANALOG INPUT MULTIPLEXER BOARD



FEATURES

- ± 10 V INPUT RANGE
- CURRENT SENSE INPUT OPTION (4 TO 20 mA)
- 64 SINGLE-ENDED CHANNELS OR 32 DIFFERENTIAL CHANNELS
- DOUBLE EUROCARD FORM FACTOR WITH FRONT PANEL
- OVERVOLTAGE PROTECTED
- 10 μ s SETTling TIME
- FAIL-SAFE WITH POWER-OFF
- UP TO 16 ANALOG INPUT MULTIPLEXERS MAY BE CONNECTED TO ONE ADC
- USER SELECTABLE INPUT FILTERS
- VxWorks™ DRIVER AVAILABLE ⁽¹⁾
- REQUIRES VMIC ANALOG BACKPLANE (AMXbus™)
- REQUIRES VMIC ADC COMPATIBLE BOARD

(1) VxWorks™ is a trademark of Wind River Systems.



VME MICROSYSTEMS INTERNATIONAL CORPORATION
12090 South Memorial Parkway
Huntsville, Alabama 35803-3308
(205) 880-0444 Fax: (205) 882-0859
1-800-322-3616

Revised 20 April 1992

Specifications subject to change without notice.
Copyright © January 1986 by VMIC
Document No.: 800-003210-000 B

**VMIVME-3210
64-CHANNEL ANALOG INPUT MULTIPLEXER BOARD**

SPECIFICATIONS

FUNCTIONAL CHARACTERISTICS

Compatibility:	The 64-channel single-ended, 32-channel differential analog multiplexer board is a standard, double-height printed circuit board which is compatible with the VMEbus.
Board Address:	The address for the board is selected by 15 DIP switches. The board can be plugged into any available slot on the VMEbus, except slot 1.
Channel Selection:	In the single-ended mode, Control Status Register (CSR) bits 0 through 5 are used to select which of the 64 channels on the analog multiplexer board is to be switched to the Analog-to-Digital converter board. In the differential mode, CSR bits 0 through 4 determine which of 32 differential pairs are gated to the converter (CSR bit 5 has no effect in the differential mode).
VMEbus Access:	Address modifier bits are decoded to support non-privileged short I/O or supervisory short I/O access. A single jumper is provided to support the option. The board is factory configured for supervisory short I/O access.
VMEbus Reply:	The board generates a DTACK reply in response to a data strobe (DS0 or DS1) and a decoded board address.
Data Transfer Type:	D8, D16
Mode Selection:	Other operational modes of the board may be selected as specified below: D00 to D05 - Selects channel D06 - Selects single-ended or differential inputs
Board Function:	The VMIVME-3210 is a low-cost multiplexer expansion board for the VMIVME-31XX series of Analog-to-Digital (AD) boards. VMIC's wide variety of P2 analog backplanes (AMXbus™) supports up to 16 expansion multiplexers on a single bus utilizing a single AD board.
Sample Release:	The analog sample gated to the Analog-to-Digital converter (ADC) is automatically released by the EOC signal from the converter board.
Analog Inputs:	Inputs can be single-ended, pseudo-differential, differential, or current sense. The board processes low level inputs (± 100 mv) in the differential mode. Full scale ranges are -10 V to +10 V. The current sense input range is from 0 to 20 mA.

ELECTRICAL SPECIFICATIONS

Full Scale Analog Input:	-10 V to +10 V
Current Sense Input:	A 250 Ω current to voltage sense resistor generates a 1 to 5 V range for 4 to 20 mA inputs.
Module Overall Error ⁽¹⁾ (Typ at 25 °C):	± 0.025 percent of full scale range ± 0.05 percent of full scale range with optional input filters ± 0.05 percent of full scale range with optional current sense resistors
Input Overvoltage Protection:	± 25 V
Input Single-Pole Filter Options ⁽²⁾ (3dB Attenuation):	6, 9, and 36 Hz

⁽¹⁾Overall error is calculated assuming 1000 Ω source impedance. The signal is multiplexed to a VMIC 12-bit A/D board with an input impedance of 100 m Ω . Full scale range is equal to 20 V (-10 to +10 V).

⁽²⁾Contact VMIC for other filter requirements.

PHYSICAL/ENVIRONMENTAL SPECIFICATIONS

Temperature: 0 to 55 °C, Operating
-20 to +85 °C, Storage

Humidity: 20 to 80 percent relative, non-condensing

Cooling: Forced air convection

Dimension: Standard VME double-width board
160 mm x 233.35 mm

Connectors: P1 and P2 are 96-pin DIN connectors. Refer to ordering information for Analog connector.

POWER REQUIREMENTS:

1 A (maximum) @ +5 V

NOTE

VMIC UTILIZES THE USER I/O PINS ON THE P2 CONNECTOR TO SUPPORT AN ANALOG PRIVATE BUS (AMXBUS™). AMXBUS™ BACKPLANES ARE AVAILABLE IN DIFFERENT SIZE SLOT WIDTHS TO ACCOMMODATE DIFFERENT ANALOG CONFIGURATION REQUIREMENTS.

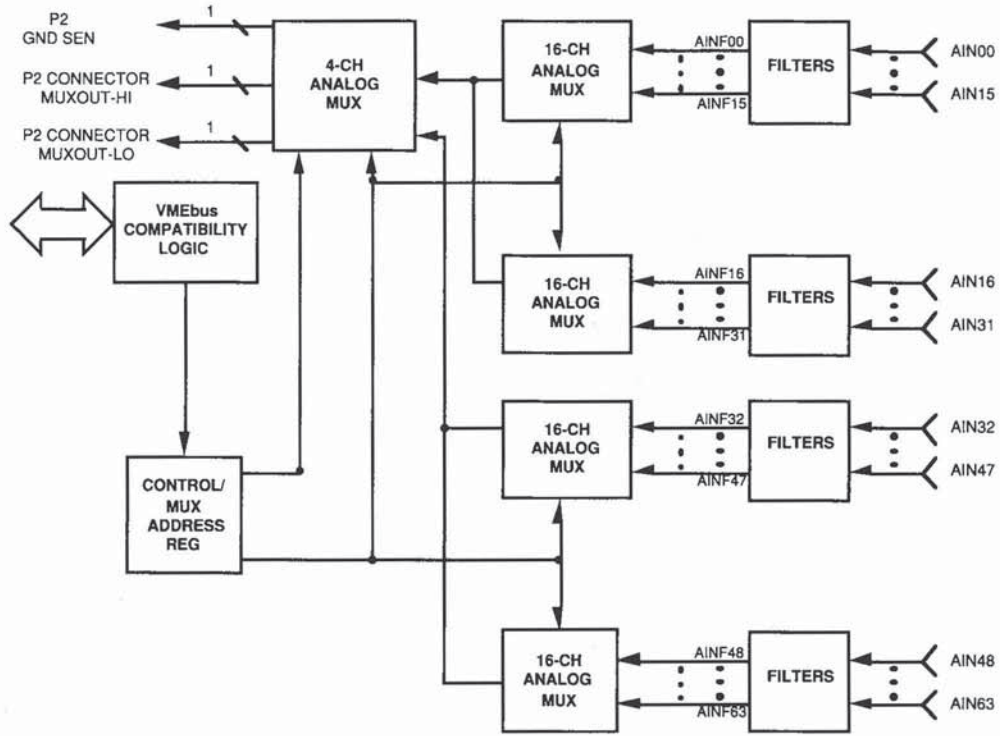
APPLICATION AND CONFIGURATION GUIDES

TITLE

Digital Input Board Application Guide
Low Level Analog I/O Configuration Guide
Change-of-State Application Guide
Digital I/O (with Built-in-Test) Product Line Description
Synchro/Resolver (Built-in-Test) Subsystem Configuration Guide
Analog I/O Products (with Built-in-Test) Configuration Guide
Connector and I/O Cable Application Guide

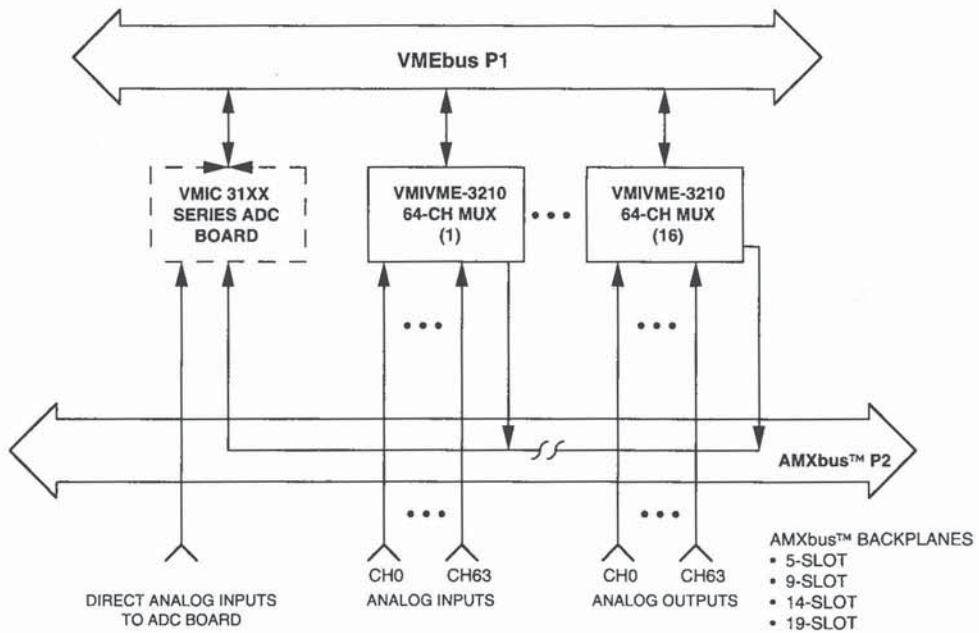
DOCUMENT NO.

825-000000-000
825-000000-001
825-000000-002
825-000000-003
825-000000-004
825-000000-005
825-000000-006



S3210/F-1

Figure 1. VMIVME-3210 64-Channel Multiplexer Board Functional Block Diagram



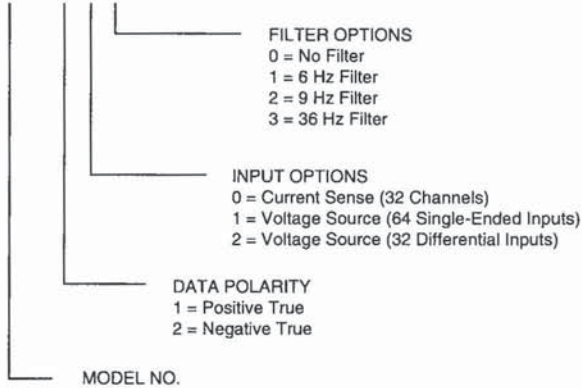
S3210/F-2

Figure 2. VMIVME-3210 Typical 64-Channel MUX Configuration

64-CHANNEL ANALOG INPUT EXPANSION BOARD

ORDERING INFORMATION

VMIVME - 3210 - A B C



CONNECTOR DATA

COMPATIBLE CABLE CONNECTOR	PANDUIT NO. 120-964-435E
STRAIN RELIEF	PANDUIT NO. 100-000-032
P.C. BOARD HEADER CONNECTOR	PANDUIT NO. 120-964-033A



Artisan Technology Group is your source for quality new and certified-used/pre-owned equipment

- FAST SHIPPING AND DELIVERY
- TENS OF THOUSANDS OF IN-STOCK ITEMS
- EQUIPMENT DEMOS
- HUNDREDS OF MANUFACTURERS SUPPORTED
- LEASING/MONTHLY RENTALS
- ITAR CERTIFIED SECURE ASSET SOLUTIONS

SERVICE CENTER REPAIRS

Experienced engineers and technicians on staff at our full-service, in-house repair center

*InstraView*SM REMOTE INSPECTION

Remotely inspect equipment before purchasing with our interactive website at www.instraview.com ↗

WE BUY USED EQUIPMENT

Sell your excess, underutilized, and idle used equipment. We also offer credit for buy-backs and trade-ins. www.artisanng.com/WeBuyEquipment ↗

LOOKING FOR MORE INFORMATION?

Visit us on the web at www.artisanng.com ↗ for more information on price quotations, drivers, technical specifications, manuals, and documentation

Contact us: (888) 88-SOURCE | sales@artisanng.com | www.artisanng.com