



Artisan Technology Group is your source for quality new and certified-used/pre-owned equipment

- FAST SHIPPING AND DELIVERY
- TENS OF THOUSANDS OF IN-STOCK ITEMS
- EQUIPMENT DEMOS
- HUNDREDS OF MANUFACTURERS SUPPORTED
- LEASING/MONTHLY RENTALS
- ITAR CERTIFIED SECURE ASSET SOLUTIONS

SERVICE CENTER REPAIRS

Experienced engineers and technicians on staff at our full-service, in-house repair center

*InstraView*SM REMOTE INSPECTION

Remotely inspect equipment before purchasing with our interactive website at www.instraview.com ↗

WE BUY USED EQUIPMENT

Sell your excess, underutilized, and idle used equipment. We also offer credit for buy-backs and trade-ins. www.artisanng.com/WeBuyEquipment ↗

LOOKING FOR MORE INFORMATION?

Visit us on the web at www.artisanng.com ↗ for more information on price quotations, drivers, technical specifications, manuals, and documentation

Contact us: (888) 88-SOURCE | sales@artisanng.com | www.artisanng.com



PC800 Series Digital Brushless Servo Drive

Cost effective small servos with the best lead time in the industry.

Pacific Scientific's new PC800 servo drive is engineered to help your bottom line with broad functionality in a compact package at an economical price, with one of the best lead times in the industry.

In five days or less, this hardworking servo drive can be on its way to your customers' needs quickly, without increased inventory costs. When it arrives, its utility simplifies set-up and makes it easier to get systems up and running rapidly.

The PC800 matches the high performance of all Pacific Scientific drives. It features a DRDC (Digital Resolver to Digital Conversion) algorithm, and a 400 Hz velocity limit, making it ideal for the industry. Yet its all-digital servo capabilities come in a package with a 40% space savings compared to other drives, making it ideal for applications where space is at a premium.

Your bottom line also benefits because the PC800 is UL, cUL and CE compliant, meeting all safety directives without requiring additional isolation.

The PC800 is another example of Pacific Scientific's commitment to offering products designed to fit your unique applications, backed by unmatched customer support.

When speed and efficiency are paramount, the pc800 servo drive delivers.

The PC800 Series is the next generation of Pacific Scientific's all digital brushless servos. It has everything you've come to expect from a Pacific Scientific drive in a significantly smaller package with product availability.

40% smaller

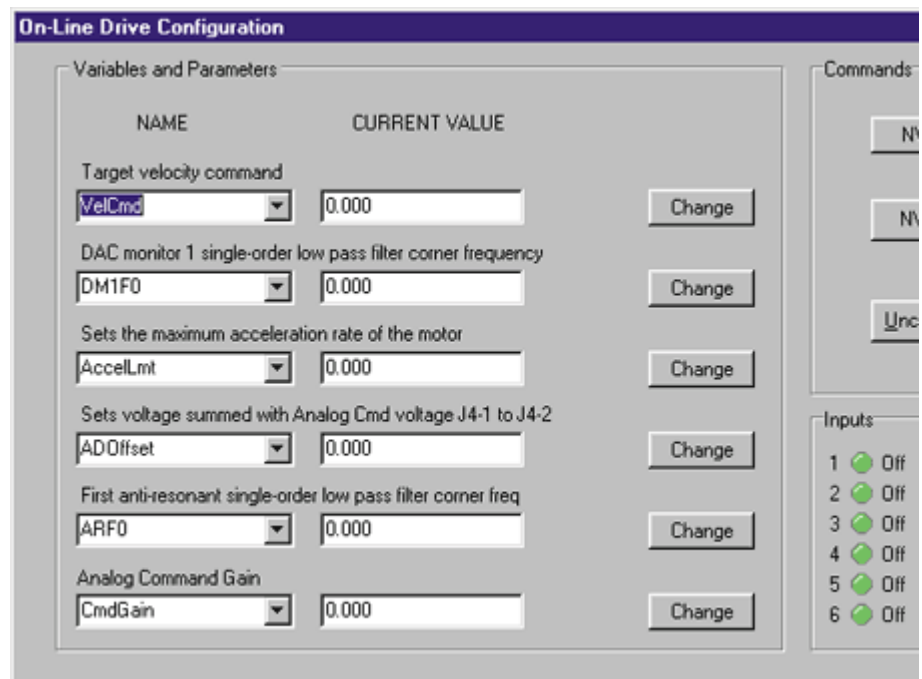
At 3.5 in. wide x 8 in. tall x 6.25 in. deep, the PC800 is over 40% smaller than its predecessor. Its compact dimensions reduce enclosure space -permitting more efficient use of space in many industries stand to benefit from this increased efficiency, including packaging, manufacturing, printing and material handling.

Easy to use

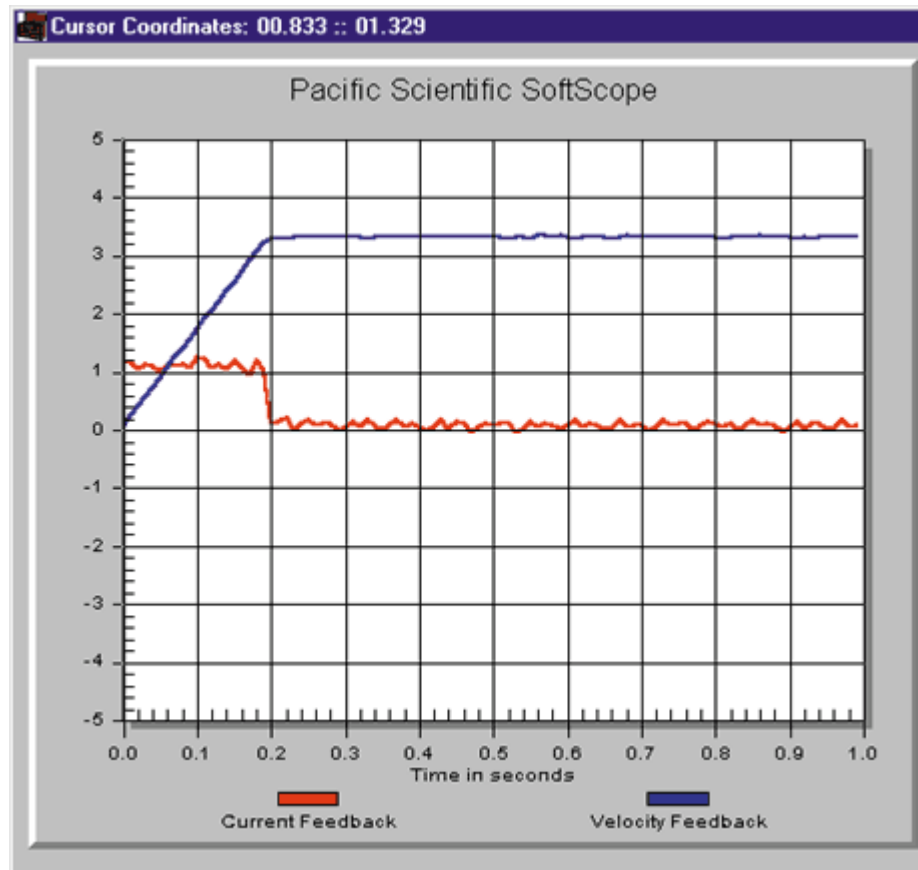
Like all Pacific Scientific drives, the PC800 can accept either step and direction or analog commands. Profile and speed profiling is standard - the PC800's internal profile generator allows pre-set in the industry - 400 Hz - you get simplified drive set-up and operation in most mechanical systems. Advanced tuning also allows systems to settle quickly.

High-performing and versatile

Its 24-bit position resolution DRDC provides the PC800 with the smoothest motion and position accuracy as low as five arc minutes. Two available output power supplies, increase the PC800 Series' application flexibility: 3.6A continuous and 21.2A peak RMS currents. Using the optional fan kit, continuous operation is possible. Advanced anti-resonance filters are ideal for complicated mechanical systems with hall/encoders or resolver feedback in the same package.



Intuitive on-line drive configuration is part of the PC800 family's PC830 Tool. Parameter selections or changes with a few clicks of the mouse. Saved selections go into memory.



The powerful digital oscilloscope function within PC830 Tools™ greatly simplifies servo tuning. Using the oscilloscope, you can combine the PC800's auto-tuning feature with the servo's parameters. You'll be up and running in no time!



The new PC800 shares similar functionality and power output with the SC800, despite the size difference!

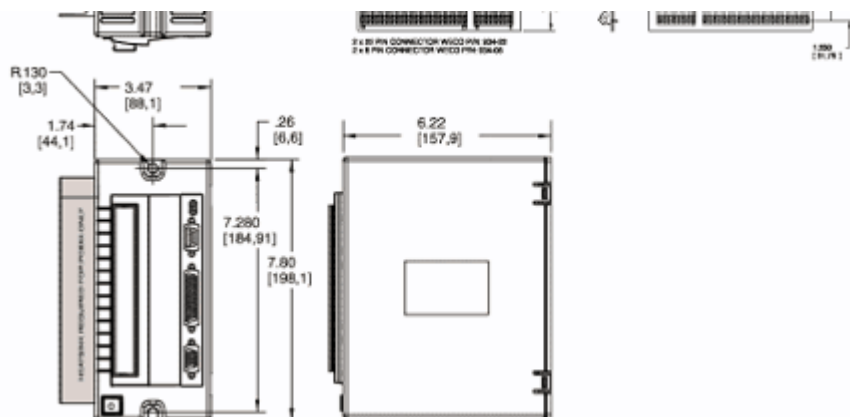
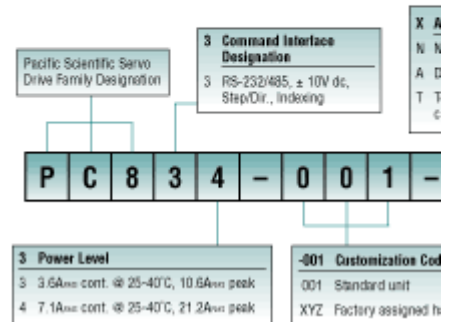
Drive/Motor Combinations

This table contains recommended pairings of Pacific Scientific PC800 Drive servomotors. In matching the PC800 family with its brushless servomotors, I have optimized the windings for maximum performance. The combination of Pacific Scientific motors and drives results in higher performance from .5 to 48.5 Nm - continuous usable torque in your application.

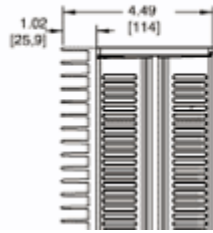
MOTORS	PC833		PC834	
	OUTPUT CURRENT			
	CONT 3.6A _{cont}	PEAK 10.6A _{peak}	CONT 7.1A _{cont}	PEAK 21.2A _{peak}
Maximum Continuous Rated Torque (Nm) @ Speed (RPM)				
PMA22B	1.1 @ 4,650			
PMA23c	1.6 @ 4,200			
PMA24C	2.2 @ 3,000			
PMA23D			1.4 @ 6,450	
PMA24D			2.2 @ 4,950	
PMA42N	3.8 @ 1,950			
PMA43N	5.8 @ 1,250			
PMA44N	7.9 @ 850			
PMA45N	9.9 @ 600			
PMA42Q			3.4 @ 3,800	
PMA43Q			5.2 @ 3,000	
PMA44Q			7.3 @ 2,100	
PMA45Q			9.4 @ 1,650	
PMA53Q			9.6 @ 1,300	
PMA54Q			12.4 @ 1,200	
PMA55Q			16.0 @ 900	
S21H	0.3 @ 12,500			
S22H	0.7 @ 7,600			
S24G	1.5 @ 3,400			
S24H			0.6 @ 8,000	
S31H	1.9 @ 3,500			
S32G	3.6 @ 1,500			
S33A	4.7 @ 1,500			
S34A	5.1 @ 1,500			
S32H			2.8 @ 3,900	
S33D			3.7 @ 3,600	
S34H			6.4 @ 2,000	

PART NUMBER CONFIGURATOR

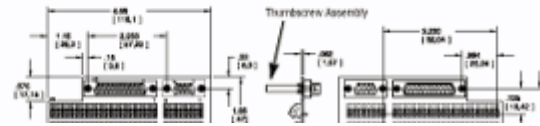
To construct a motor model number code, select the combination of features required and put all the coded information in the proper sequence. Please account for an entry in each field. The model number shown is an example of a properly specified motor.



PC800 DIMENSIONS:



Terminal Block Adapter - dimensions:



The New PC832 Digital Brushless Servo Drive

The PC800 digital brushless servo drives are the drives you've been asking for. The PC832 Series is the newest addition to the PC800 Series, and with three power levels and multiple command interfaces at no additional cost, the PC800 offers a great value for your drive investment days. Add rugged, PLC-like optically isolated I/O and you'll see why this new drive who originated the all-digital servo drive is right for you.

PC832 Performance Features~

- 2.7A RMS continuous, 5.3A RMS peak output power
- All-digital DSP-based
- Standard analog and digital interfaces
 - Step/Direction Digital interface-position or velocity control
 - Preset moves using an internal profile generator
 - ±10V Analog interface-velocity or torque control
 - Quadrature encoder digital interface-electronic gearing follower
- RS-232/485 serial interface - allows programming with an IBM-compatible

S31H	1.4 @ 4,600
S32G	3.0 @ 2,200
S33G	4.6 @ 1,400
S34G	4.9 @ 1,300

Motors	Output Current	
	Cont. 2.7A _{RMS}	Peak 5.3A _{RMS}
	Maximum Continuous Rated Torque (Nm) @ Speed (RPM)	
PMA21B	0.50 @ 6,050	
PMA22B	1.0 @ 5,750	
PMA42M	3.9 @ 1,600	
S21H	0.27 @ 12,500	
S22H	0.59 @ 9,100	
S24G	1.4 @ 4,000	

- Windows ® -based PC830 Tools configuration software simplifies set-up
 - Digital oscilloscope feature quickly shows drive function graphically
 - Intuitive parameter configuration - be up and running in minutes
 - Advanced digital tuning for reduced settling time -- no pots to tweek
 - All system and application parameters are set in software and can be stored in EEPROM
 - Automated diagnostic routine reduces troubleshooting time
- Rugged, PLC-like digital and analog I/O maximize application flexibility:
 - Six optically-isolated inputs
 - Three optically-isolated outputs
 - One relay output, 30V dc @ 1A
 - Differential ±10V analog input
 - Single-end analog input, ±5V dc
 - Two analog outputs, ±5V dc
 - Encoder quadrature output -- up to 16,384 PPR
 - Encoder quadrature input (Step/Direction)
 - Enable input
 - +5V dc @ 200 mA user output
 - +24V dc @ 100 mA power supply for optically-isolated inputs
- Single resolver feedback survives hostile environments
- Hall/Encoder feedback allows application flexibility - make it suitable for use with popular linear motors
- All connections on front-easy access to clearly marked connectors
- Optional Terminal Block Adapter speeds connections even further
- Separate logic supply input keeps logic power working when bus power is lost
- Extensive protection circuits and diagnostics to ease set-up
- 400 Hz velocity loop bandwidth
- Inaudible, high frequency, Digital PWM sine wave current control

- IGBT Power stage - more efficient, less audible noise

Typical Applications~

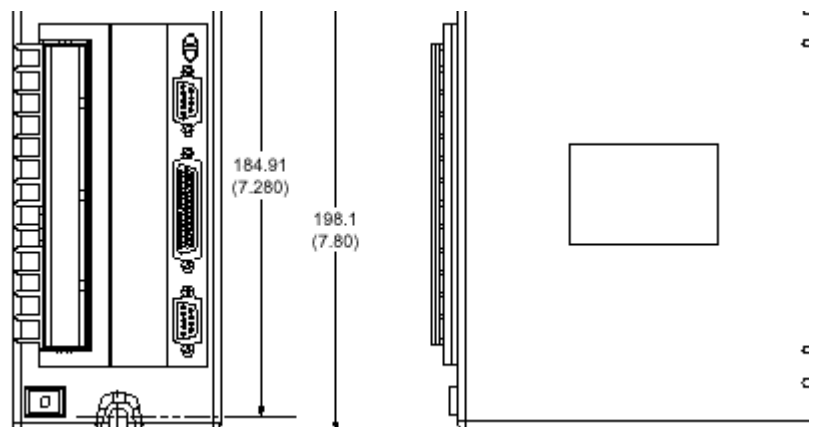
- Packaging machinery
- Electronic assembly equipment
- Semiconductor wafer processing equipment
- Material handling
- Robotics
- X-Y tables and slides
- Specialty machinery

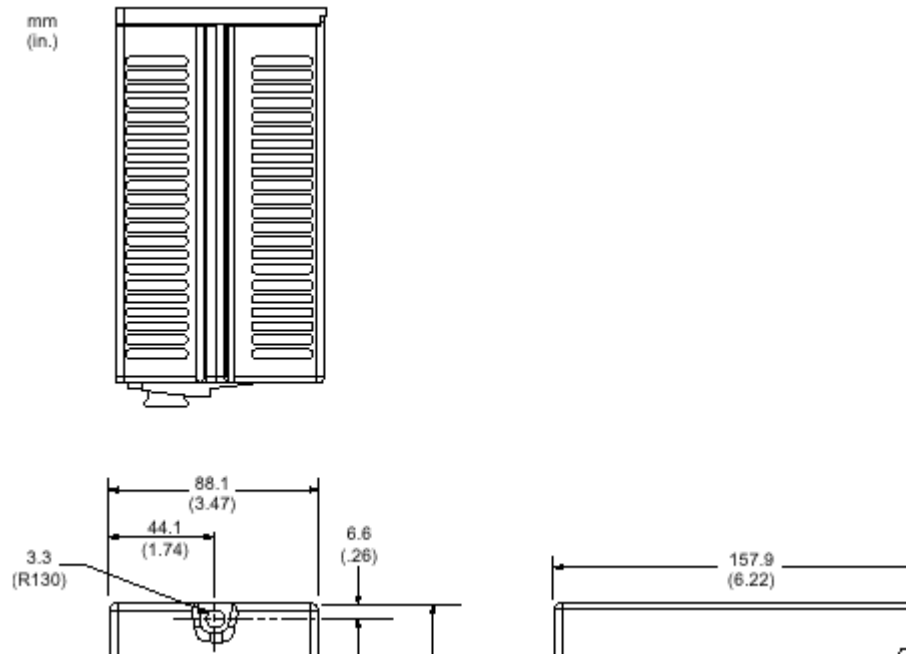
Agency Approval~

- UL recognized - 508C (Type R) - file #E137798
- cUL
- Meets IEC Vibration Standard, #68-2-6
- Models CE Compliant: EMC standard EB61800-3 and safety standard E

PacSci Motors Complete the package

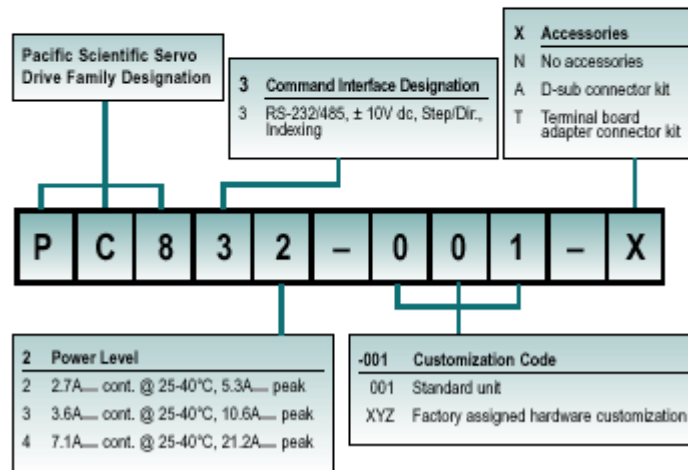
The PMA Series and S Series brushless servomotors pair with the PC832 to servo application needs. Pacific Scientific is committed to offering you the h tailored to fit your unique applications and backed by unmatched customer s





Part Number Configurator

To construct a drive model number code, select the combination of features required and put all the coded information in the proper sequence. Please account for an entry in each field. The model number shown is an example of a properly specified motor.



Links to PC800 Software and Documentation

[PC830 Tools Help](#) This is an online version of the PC830 Tools configuration answers to most PC830 programming, set-up and technical questions. PC830 diagnostics are included.

[Click Here for PC800 Support](#)



Artisan Technology Group is your source for quality new and certified-used/pre-owned equipment

- FAST SHIPPING AND DELIVERY
- TENS OF THOUSANDS OF IN-STOCK ITEMS
- EQUIPMENT DEMOS
- HUNDREDS OF MANUFACTURERS SUPPORTED
- LEASING/MONTHLY RENTALS
- ITAR CERTIFIED SECURE ASSET SOLUTIONS

SERVICE CENTER REPAIRS

Experienced engineers and technicians on staff at our full-service, in-house repair center

*InstraView*SM REMOTE INSPECTION

Remotely inspect equipment before purchasing with our interactive website at www.instraview.com ↗

WE BUY USED EQUIPMENT

Sell your excess, underutilized, and idle used equipment. We also offer credit for buy-backs and trade-ins. www.artisanng.com/WeBuyEquipment ↗

LOOKING FOR MORE INFORMATION?

Visit us on the web at www.artisanng.com ↗ for more information on price quotations, drivers, technical specifications, manuals, and documentation

Contact us: (888) 88-SOURCE | sales@artisanng.com | www.artisanng.com