



Artisan Technology Group is your source for quality new and certified-used/pre-owned equipment.

- FAST SHIPPING AND DELIVERY
- TENS OF THOUSANDS OF IN-STOCK ITEMS
- EQUIPMENT DEMOS
- HUNDREDS OF MANUFACTURERS SUPPORTED
- LEASING/MONTHLY RENTALS
- CONSIGNMENT

SERVICE CENTER REPAIRS

Experienced engineers and technicians on staff at our full-service, in-house repair center

INSTRAVIEW REMOTE INSPECTION

Remotely inspect equipment before purchasing with our interactive website at www.instraview.com ↗

WE BUY USED EQUIPMENT!

Sell your excess, underutilized, and idle used equipment. We also offer credit for buy-backs and trade-ins!

www.artisanng.com/WeBuyEquipment ↗

LOOKING FOR MORE INFORMATION?

Visit us on the web at www.artisanng.com ↗ for more information on price quotations, drivers, technical specifications, manuals, and documentation!

Contact us: (888) 88-SOURCE | sales@artisanng.com | 101 E. Mercury Drive, Champaign IL 61822

INSTALLING YOUR BNC-2810 SDA CONNECTOR BLOCK

This installation guide describes how to connect a BNC-2810 to your PCI/PXI-6810 serial data analyzer (SDA) and shows the BNC-2810 channel and signal connections.

Introduction

The BNC-2810 is a connector block designed for use with a PCI/PXI-6810 serial data analyzer. You can use the BNC-2810 on a desktop or optionally mount it on a Deutsche Industrie Norme (DIN) rail that conforms to the Comité Européen de Normalisation Electrotechnique (CENELEC) 35 mm standard. The BNC-2810 provides easy access to the following channels and signals:

- RS-232 channels 0 and 1
- RS-485 channels 0 and 1
- Programmable channels 0, 1, and clock
- Input and output triggers
- Digital input/output (I/O) lines 0 through 7
- Output enable signals 0 and 1
- External power supply

Refer to *Getting Started with Your PCI/PXI-6810 Serial Data Analyzer* for more detailed information regarding these channels and signals.

The Software is the Instrument™ is a trademark of National Instruments Corporation. Product and company names are trademarks or trade names of their respective companies.

321845A-01

© Copyright 1998 National Instruments Corp. All rights reserved.

January 1998

What You Need to Get Started

You need the following to set up and use your BNC-2810:

- Installing Your BNC-2810 SDA Connector Block* installation guide
- Your computer or PXI chassis
- One of the following devices:
 - PCI-6810 serial data analyzer
 - PXI-6810 serial data analyzer
- BNC-2810 SDA connector block
- SH6868-D1 shielded cable
- DIN rail mounting hardware (optional)

Typical Connection

Figure 1 shows a typical connection of the BNC-2810 connector block to a PCI/PXI-6810 serial data analyzer. Use the following steps to install your BNC-2810:

1. Insert one end of the SH6868-D1 shielded cable into the 68-pin connector on your BNC-2810 connector block.
2. Insert the other end of the SH6868-D1 shielded cable into the 68-pin connector on your PCI/PXI-6810 serial data analyzer.

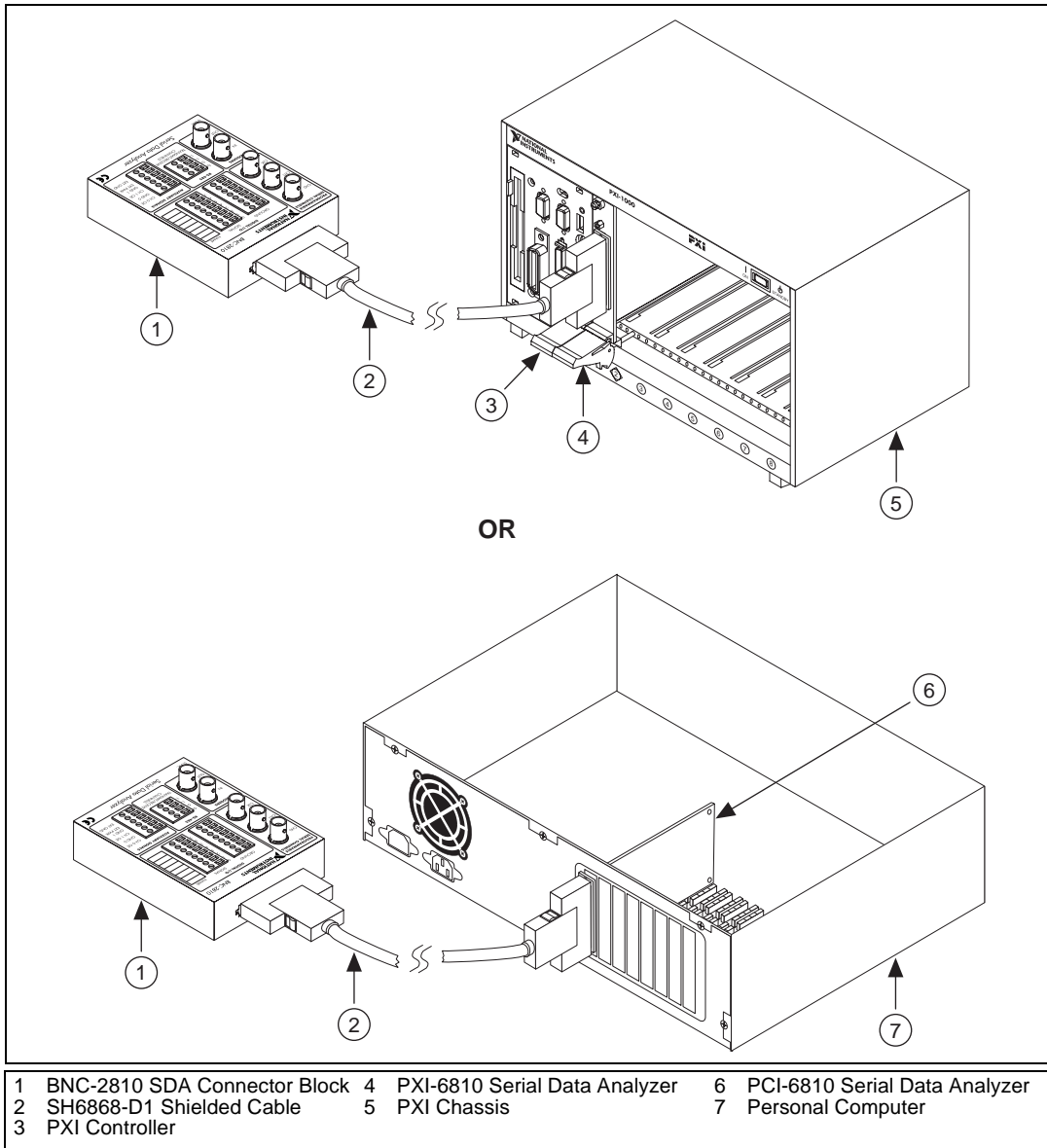


Figure 1. Typical BNC-2810 to PCI/PXI-6810 Connection

You can now connect to the channels and signals of your PCI/PXI-6810 serial data analyzer.

Signal Connections

Figure 2 shows the BNC-2810 channel and signal connections.

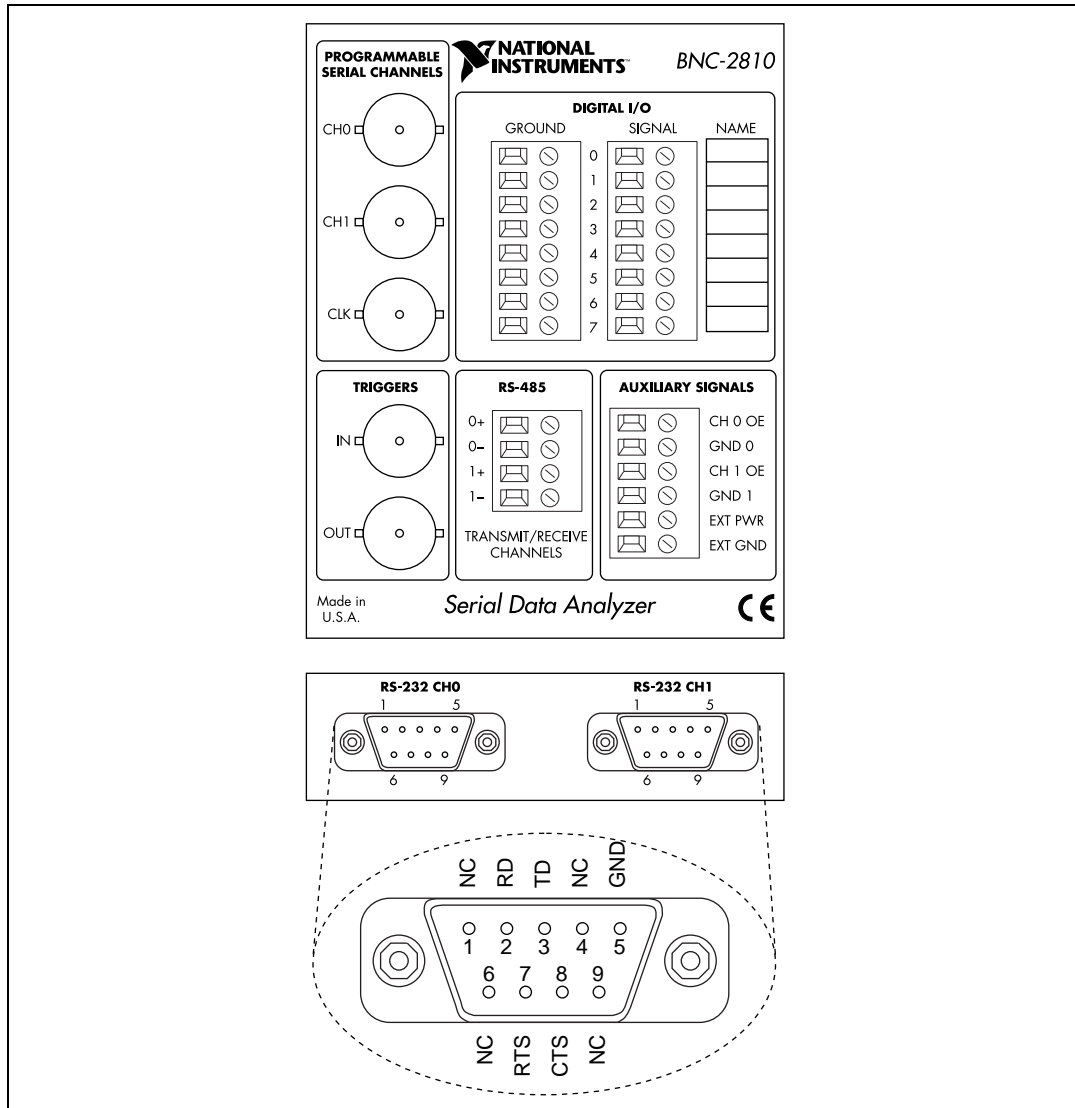


Figure 2. BNC-2810 Signal Connections

Refer to your *Getting Started with the PCI/PXI-6810 Serial Data Analyzer* for signal connections to the 68-pin connector.



321845A-01

Jan98



Artisan Technology Group is your source for quality new and certified-used/pre-owned equipment.

- FAST SHIPPING AND DELIVERY
- TENS OF THOUSANDS OF IN-STOCK ITEMS
- EQUIPMENT DEMOS
- HUNDREDS OF MANUFACTURERS SUPPORTED
- LEASING/MONTHLY RENTALS
- CONSIGNMENT

SERVICE CENTER REPAIRS

Experienced engineers and technicians on staff at our full-service, in-house repair center

INSTRAVIEW REMOTE INSPECTION

Remotely inspect equipment before purchasing with our interactive website at www.instraview.com ↗

WE BUY USED EQUIPMENT!

Sell your excess, underutilized, and idle used equipment. We also offer credit for buy-backs and trade-ins!

www.artisanng.com/WeBuyEquipment ↗

LOOKING FOR MORE INFORMATION?

Visit us on the web at www.artisanng.com ↗ for more information on price quotations, drivers, technical specifications, manuals, and documentation!

Contact us: (888) 88-SOURCE | sales@artisanng.com | 101 E. Mercury Drive, Champaign IL 61822