



Artisan Technology Group is your source for quality new and certified-used/pre-owned equipment

- FAST SHIPPING AND DELIVERY
- TENS OF THOUSANDS OF IN-STOCK ITEMS
- EQUIPMENT DEMOS
- HUNDREDS OF MANUFACTURERS SUPPORTED
- LEASING/MONTHLY RENTALS
- ITAR CERTIFIED SECURE ASSET SOLUTIONS

SERVICE CENTER REPAIRS

Experienced engineers and technicians on staff at our full-service, in-house repair center

*InstraView*SM REMOTE INSPECTION

Remotely inspect equipment before purchasing with our interactive website at www.instraview.com ↗

WE BUY USED EQUIPMENT

Sell your excess, underutilized, and idle used equipment. We also offer credit for buy-backs and trade-ins. www.artisanng.com/WeBuyEquipment ↗

LOOKING FOR MORE INFORMATION?

Visit us on the web at www.artisanng.com ↗ for more information on price quotations, drivers, technical specifications, manuals, and documentation

Contact us: (888) 88-SOURCE | sales@artisanng.com | www.artisanng.com



Product Description

The 3000-43 provides 48 SPST Switches in a small space. This module provides the highest density general purpose switch, ideal for switching UUT Power as well as other current carrying signals. The 3000-43 has been designed with several exceptional features that make it stand out from competitive products.

■ **6U Form Factor** – the larger 6U form factor will accommodate 3-4 times the number of relays as 3U PXI products eliminating the need to build switching structures across boards decreasing Bandwidth.

■ **Discrete Wired Construction** – This method of construction provides maximum current carrying capacity, and allows for internal re-configuration for specific applications. This method also protects the Circuit board from User Induced damage, allowing an overheated wire to be replaced where an entire PC board might have to be replaced otherwise.

Capabilities

- 48 SPDT
- Voltage Max = 250VAC, 110VDC
- Current Max = 10A (switched)
- Power Max = 2000VA

Recommended Uses

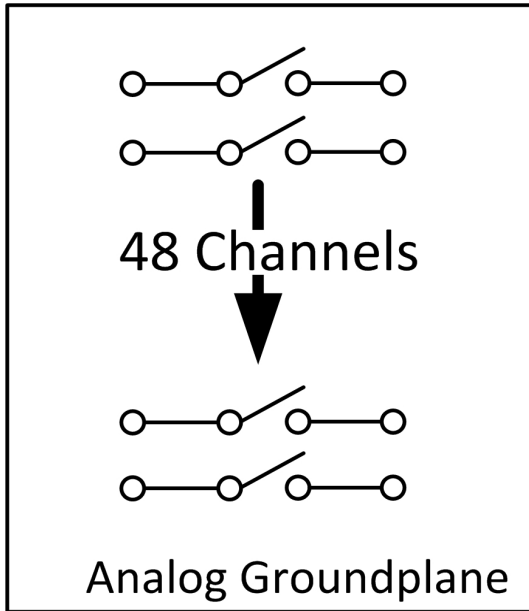
- **Power Switching** – Ideal for power switching and distribution applications.

Low Cost GT-8300A 3U chassis with LAN and IEEE-488 Control



www.gigatronics.com | inquiries@gigatronics.com
 800.726.4442 (USA) | +1 925.328.4650 (International)





- All ASCOR cards have built-in circuitry to verify both the control signal from the programming register, as well as verifying the relay coil is intact.
- All Switching modules feature built-in memory to maintain the service record of the unit with time stamping.
- All Modules carry a full 3 year Warranty

Specifications

- **Electrical**

 - Voltage Max =250VAC, 110VDC
 - Current Max = 10A (switched)
 - Power Max = 2000VA
 - Contact Resistance <0.2Ω

- **Environmental**

Temperature

 - Operating 0° to 50°C
 - Storage -40° to 75°C

Humidity (non-condensing)

 - Operating 10 to 90%
 - Storage 0 to 95%

- **Mechanical**

 - "C" size VXI

Ordering Information

Model #	Description	Manufacturer #
3000-43	48 SPST Power Switch Module, 10A	90400830
	Set of Mating connectors for one Module	89800410

www.gigatronics.com | inquiries@gigatronics.com
 800.726.4442 (USA) | +1 925.328.4650 (International)





Artisan Technology Group is your source for quality new and certified-used/pre-owned equipment

- FAST SHIPPING AND DELIVERY
- TENS OF THOUSANDS OF IN-STOCK ITEMS
- EQUIPMENT DEMOS
- HUNDREDS OF MANUFACTURERS SUPPORTED
- LEASING/MONTHLY RENTALS
- ITAR CERTIFIED SECURE ASSET SOLUTIONS

SERVICE CENTER REPAIRS

Experienced engineers and technicians on staff at our full-service, in-house repair center

*InstraView*SM REMOTE INSPECTION

Remotely inspect equipment before purchasing with our interactive website at www.instraview.com ↗

WE BUY USED EQUIPMENT

Sell your excess, underutilized, and idle used equipment. We also offer credit for buy-backs and trade-ins. www.artisanng.com/WeBuyEquipment ↗

LOOKING FOR MORE INFORMATION?

Visit us on the web at www.artisanng.com ↗ for more information on price quotations, drivers, technical specifications, manuals, and documentation

Contact us: (888) 88-SOURCE | sales@artisanng.com | www.artisanng.com