



Artisan Technology Group is your source for quality new and certified-used/pre-owned equipment

- FAST SHIPPING AND DELIVERY
- TENS OF THOUSANDS OF IN-STOCK ITEMS
- EQUIPMENT DEMOS
- HUNDREDS OF MANUFACTURERS SUPPORTED
- LEASING/MONTHLY RENTALS
- ITAR CERTIFIED SECURE ASSET SOLUTIONS

SERVICE CENTER REPAIRS

Experienced engineers and technicians on staff at our full-service, in-house repair center

*InstraView*SM REMOTE INSPECTION

Remotely inspect equipment before purchasing with our interactive website at www.instraview.com ↗

WE BUY USED EQUIPMENT

Sell your excess, underutilized, and idle used equipment. We also offer credit for buy-backs and trade-ins. www.artisanng.com/WeBuyEquipment ↗

LOOKING FOR MORE INFORMATION?

Visit us on the web at www.artisanng.com ↗ for more information on price quotations, drivers, technical specifications, manuals, and documentation

Contact us: (888) 88-SOURCE | sales@artisanng.com | www.artisanng.com

Oriel FILTER WHEELS



77378 Motorized Filter Wheel System with remote control keypad.

- Computer or push button filter selection
- Large clear apertures for maximum throughput
- Enclosed housings prevent light leakage

If you frequently change filters in a setup, choose one of these filter wheels. They hold up to 5 or 8 filters (depending on the model) simultaneously. Manual and motorized versions are available. The motorized version has an LPT or TTL interface for computer control.

Use them with our narrow band interference filters as convenient, low cost monochromators. With neutral density filters you can quickly check the linearity and dynamic range of light sensors.

They have enclosed housings with Oriel flanges. The 1 inch models use 1.5 Inch Series male and female flanges for mounting onto other Oriel equipment such as monochromators or detectors. The 2 inch models use 2 Inch Series flanges; these fit onto 2 Inch Series Oriel Light Sources only.

FILTER SIZE

These filter wheels hold the following sized filters:

- 1 inch (25.4 mm) diameter up to 0.5 inch (10 mm) thick (1.5 mm minimum thickness)
- 2 inch (50.8 mm) diameter up to 0.5 inch (10 mm) thick (XX mm minimum thickness)

TECH NOTE

SIMPLE MONOCHROMATOR

*Bandpass filters are an inexpensive alternative to Grating Monochromators. Mount a different filter in each compartment of the 77378 or 77381, and you can remotely step through the wavelengths you selected. For complete information, send away for our **Optics & Filters** catalog.*

MANUAL FILTER WHEELS

The economical manual filter wheels eliminate the inconvenience of continually inserting and removing filters from a filter holder.

The 77368 Filter Wheel holds eight (1 inch) filters. A conveniently located top knob rotates the wheel and indicates the filter in position. Each filter is positioned in the aperture by a spring loaded detent. The 77368 has a 1/4-20 tapped hole for rod mounting, in addition to 1.5 Inch Series flanges.

The 77369 and 77370 Filter Wheels hold five filters. The selection is made by turning a knurled wheel at the top of the filter housing. This allows easy access when the unit is in the middle of an optical train. A metal disk with absorptive paint is included with the filter wheel for zero referencing.

MOTORIZED FILTER WHEELS

Each Motorized Filter Wheel has five filter positions. 1/4-20 mounting holes are provided for rod mounting. A DC motor drives the wheel, and Hall effect sensors detect which filter is in use. Filter selection can be made by a push button keypad on top of the controller, a remote control keypad, by externally applied TTL signals or through an LPT port. Filter interchange time is ~1 s for adjacent filters, and ~2 s if bidirectional selections are made.

Remote control of the filter wheel is easy. TTL signals can be used to simplify automated initialization and filter selection. A TTL signal moves the filter wheel to the next filter. Add a second TTL signal and you can control the direction of rotation. TTL signals are accessed via BNC connectors on the back of the controller.

The LPT compatible port provides additional interactive control. Filter positions can be selected or queried and may simplify multiple wheel configurations.

What Makes up A Motorized Filter Wheel System?

Each system includes:

- Motorized Filter Wheel for 5 filters
- TTL Controller which operates on 110 or 220 VAC
- All necessary cables

If you need the remote control keypad, order the 77378 for 1.0 inch filters or the 77381 for 2.0 inch filters.

NOT FOR MS257™...

These motorized filter wheels can not be placed under the control of the MS257™ Monochromator. A dedicated filter wheel is available. Wavelength changeover points can be loaded into MS257™ so the appropriate filter is automatically selected for any wavelength.

ORIEL FILTER WHEELS

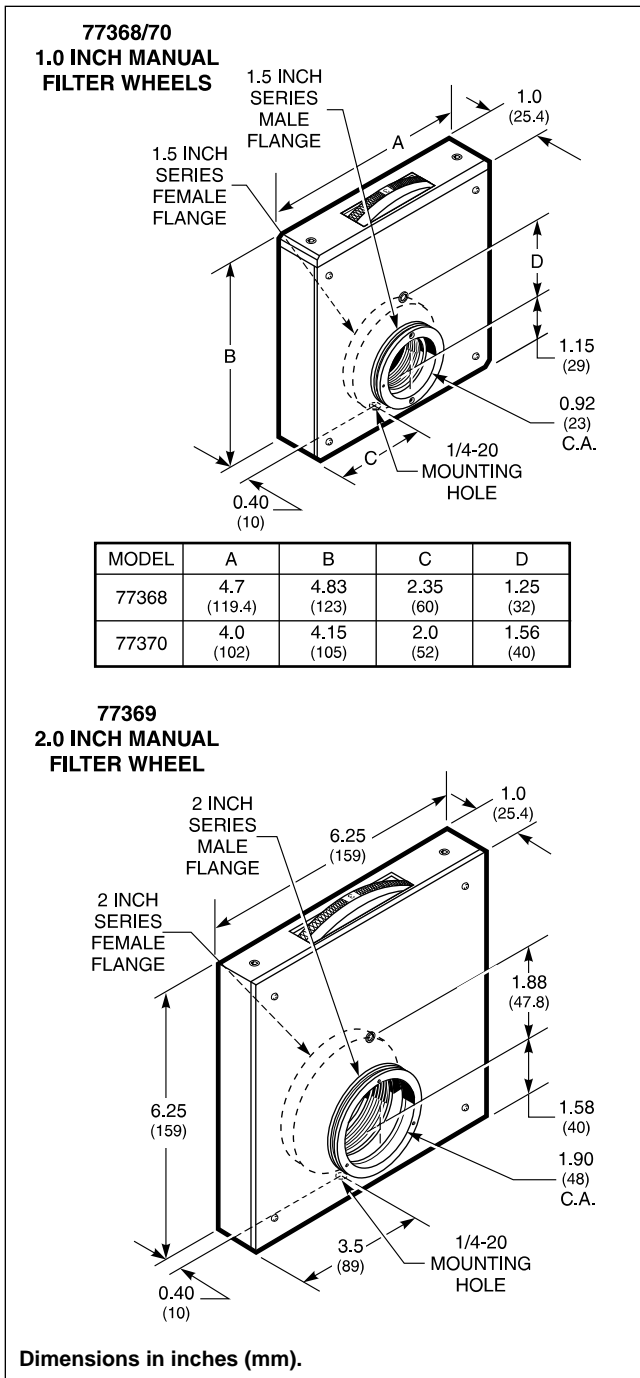


Fig. 1 Dimensional diagram of Manual Filter Wheels.

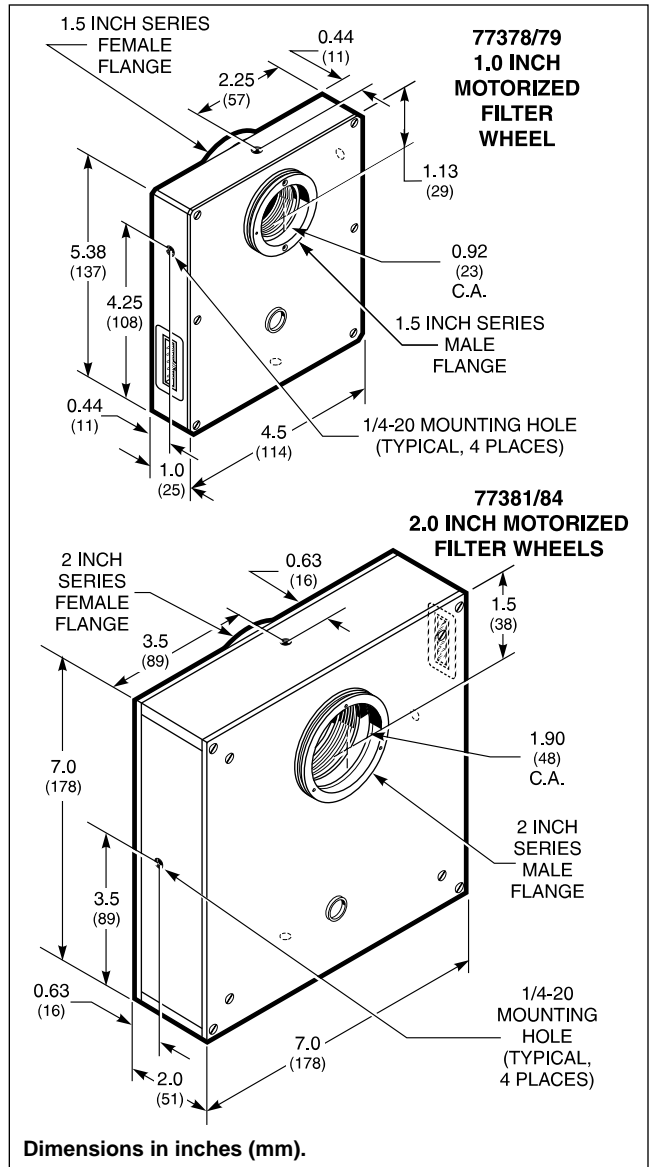


Fig. 2 Dimensional diagram of Motorized Filter Wheels.

ORDERING INFORMATION

Filter Wheel Type	Filter Size inch (mm)	Number of Filters	Model No.	Price (\$)
Manual	1.0 (25.4)	5	77370	\$ 602.00
Manual	2.0 (50.8)	5	77369	\$ 640.00
Manual	1.0 (25.4)	8	77368	\$ 670.00
Motorized System*	1.0 (25.4)	5	77378	\$ 1,785.00
Motorized System*	2.0 (50.8)	5	77381	\$ 1,992.00
Motorized Filter Wheel & Controller**	1.0 (25.4)	5	77379	\$ 1,587.00
Motorized Filter Wheel & Controller**	2.0 (50.8)	5	77384	\$ 1,811.00

* Motorized Filter Wheel Systems include the filter wheel, Controller, Remote Control and cables.

** Doesn't include Remote Control.

77373 Remote Control \$ 206.00
(For 77379 and 77384 Filter Wheels)

**ORIEL
INSTRUMENTS**

FAX **BACK**

For more information

Thank you for using Oriel's Internet Catalog.

The preceding pages describe our Motorized Filter Wheels. Our complete family of optical components is described in the **Light Research Product Guide**. If you'd like to receive this catalog, please fill out the section below and fax this form to us today.

What else is in the Light Research Product Guide?

UV-IR Pulsed and CW Sources • HeNes • Diode Lasers • Nitrogen and Dye Lasers • Monochromators • Imaging Spectrographs • UV-IR Detection Systems • PDAs • CCDs • ICCDs, and much more.

Even if you don't have an immediate need, send away for the catalog anyway and keep it accessible for a future need or for the technical articles.



YES! Please send me the **FREE** Light Research Product Guide Today!

COMPLETE THIS FORM & FAX TO (203) 375-0851

I WORK IN:

- A R & D
- B Manufacturing
- C Quality Assurance
- D University
- E Consultant
- F National Labs
- G Gov't Facility/Military

I WORK AT THESE

WAVELENGTHS:

- A 100-190 nm
- B 190-320 nm
- C 320-400 nm
- D 400-700 nm
- E 700-1200 nm
- F 1.2-3 μ m
- G 3-15 μ m
- H Over 15 μ m
- I 380-780 nm
- J 180-1100 nm

I WORK IN THESE AREAS:

- A Spectroscopy
- B Radiometry
- C Photobiology
- D Solar Simulation
- E Photochemistry
- F UV Curing

- G Pharmaceuticals
- H Material or Chemical Analysis
- I Process Control
- J Microscopy
- K Development/mfg. of semiconductor thin/thick film circuitry, microwave devices
- L Astronomy
- M Integrated Optics
- N Optical Metrology
- O Machine vision/robotics
- P Fluorescence
- Q Environmental Study

I USE OR MAY USE:

- A Optical Tables/Benches
- B Optical Mounts
- C Micropositioners
- D Precision Motorized Drives
- E Lasers
- F Arc Lamp Sources
- G Monochromators/Spectrographs
- H Spectroscopic Instruments
- I Radiometers
- J Detectors

- K Imaging Systems
- L Microscopes
- M Computerized Data Acquisition
- N Single Fibers, Large Core (>65 μ m)
- O Single Fibers, Small Core (<65 μ m)
- P Fiber Optics, Bundles
- Q Fiber Optics, Imaging Bundles
- R Fiber Sensors
- S Optical Components
- T Multichannel Detectors
- U Quartz Tungsten Halogen Sources
- V Pulsed Light Sources
- W Nitrogen Lasers
- X FFTs (FTIRs)

I CURRENTLY USE ORIEL PRODUCTS:

- A Yes
- B No

I WOULD LIKE TO RECEIVE PRODUCT INFORMATION VIA FAX OR E-MAIL:

- A Yes

Name: _____

Title: _____

Organization: _____

Address: _____

Mail Drop: _____

City: _____

State/Zip: _____

Phone: () _____

Fax: () _____

E-Mail: _____

Please have a Sales Engineer call me.



Artisan Technology Group is your source for quality new and certified-used/pre-owned equipment

- FAST SHIPPING AND DELIVERY
- TENS OF THOUSANDS OF IN-STOCK ITEMS
- EQUIPMENT DEMOS
- HUNDREDS OF MANUFACTURERS SUPPORTED
- LEASING/MONTHLY RENTALS
- ITAR CERTIFIED SECURE ASSET SOLUTIONS

SERVICE CENTER REPAIRS

Experienced engineers and technicians on staff at our full-service, in-house repair center

*InstraView*SM REMOTE INSPECTION

Remotely inspect equipment before purchasing with our interactive website at www.instraview.com ↗

WE BUY USED EQUIPMENT

Sell your excess, underutilized, and idle used equipment. We also offer credit for buy-backs and trade-ins. www.artisanng.com/WeBuyEquipment ↗

LOOKING FOR MORE INFORMATION?

Visit us on the web at www.artisanng.com ↗ for more information on price quotations, drivers, technical specifications, manuals, and documentation

Contact us: (888) 88-SOURCE | sales@artisanng.com | www.artisanng.com