



Artisan Technology Group is your source for quality new and certified-used/pre-owned equipment.

- FAST SHIPPING AND DELIVERY
- TENS OF THOUSANDS OF IN-STOCK ITEMS
- EQUIPMENT DEMOS
- HUNDREDS OF MANUFACTURERS SUPPORTED
- LEASING/MONTHLY RENTALS
- CONSIGNMENT

SERVICE CENTER REPAIRS

Experienced engineers and technicians on staff at our full-service, in-house repair center

INSTRAVIEW REMOTE INSPECTION

Remotely inspect equipment before purchasing with our interactive website at www.instraview.com ↗

WE BUY USED EQUIPMENT!

Sell your excess, underutilized, and idle used equipment. We also offer credit for buy-backs and trade-ins!

www.artisanng.com/WeBuyEquipment ↗

LOOKING FOR MORE INFORMATION?

Visit us on the web at www.artisanng.com ↗ for more information on price quotations, drivers, technical specifications, manuals, and documentation!

Contact us: (888) 88-SOURCE | sales@artisanng.com | 101 E. Mercury Drive, Champaign IL 61822



Highlights

- >> PICMG[®] 2.16 or Standard PCI[™] Bus Operation

- >> 24 Fully Channelized T1/E1/J1 Spans (768 Software Programmable Channels)

- >> Onboard Eight-Port Gigabit Switch

- >> 800 MHz PowerPC[®] with L1/L2 Cache

- >> Optional Support Software:
 - NexusWare[®] CGL OS and Development Environment
 - NexusWare[®] C7 SS7 MTP-2 Installable Software Package
 - NexusWare[®] WAN Protocol Software:
 - Radar Receiver
 - TADIL-B
 - HDLC
 - X.25
 - Frame Relay

- >> Built-In TCP Acceleration Hardware

The CPC324 is the most powerful and flexible access controller on the market. Scalable DSP/CPU processing via the PCI Telecom Mezzanine Card (PTMC) sites combined with onboard TDM/IP switches makes the CPC324 an ideal replacement for several lower density products currently used in PICMG[®] 2.16 and PCI[™] backplanes.

Offering 24 fully programmable T1/E1/J1 interfaces, the CPC324 offers a comprehensive design that supports voice, data, signaling, and monitoring applications all via one architecture.

The CPC324 is ideal for applications that have to handle large volumes of voice circuits for protocol processing or for transfer to the H.110 bus, PCI bus, Ethernet, or onboard PTMC sites. Two PTMC sites can connect two single or one dual PTMC module. The PTMC interfaces support 32-bit PCI, H.110 style TDM, RMI, and 10/100/1000 Ethernet. Application examples include wireless infrastructure equipment, media and signaling gateways, IP media equipment, telecom switching and routing equipment, and SS7 network elements. With its ability to support full H.110 and PICMG 2.16 backplanes, 24 framers for external connections, and full gigabit IP interconnect between major components, the CPC324 offers true TDM/IP bridge capability.

Hardware Features

Offering better performance than traditional PowerQUICC[®] class products, the CPC324 uses an 800 MHz PowerPC[®] processor with L1/L2 cache and built-in TCP Acceleration Hardware (TAH). The CPC324 also provides TDM edge processors to support up to 768 HDLC channels.

The CPC324 fully complies with the latest PICMG hot-swap specifications, and its fully passive RTMs also improve reliability. By incorporating the H.110 interface device, the CPC324 can send/receive any of its possible time slots to the J4 connector.

Additional features include 512 MB of DDRAM, L1/L2 cache, and built-in TAH, which allows the CPC324 to execute protocols and WAN applications directly onboard.

NexusWare[®] Software Support

The NexusWare[®] software suite offers a CGL Registered and POSIX-compliant Linux operating system and development environment. In addition, the suite includes an extensive list of installable protocols that can be leveraged to build robust solutions, such as media gateways, lawful intercept platforms, SS7 monitoring equipment for line usage/billing applications, radar gateways, and converged serial gateways.

CPC324

24-Port T1/E1/J1 TDM/IP Edge Processor

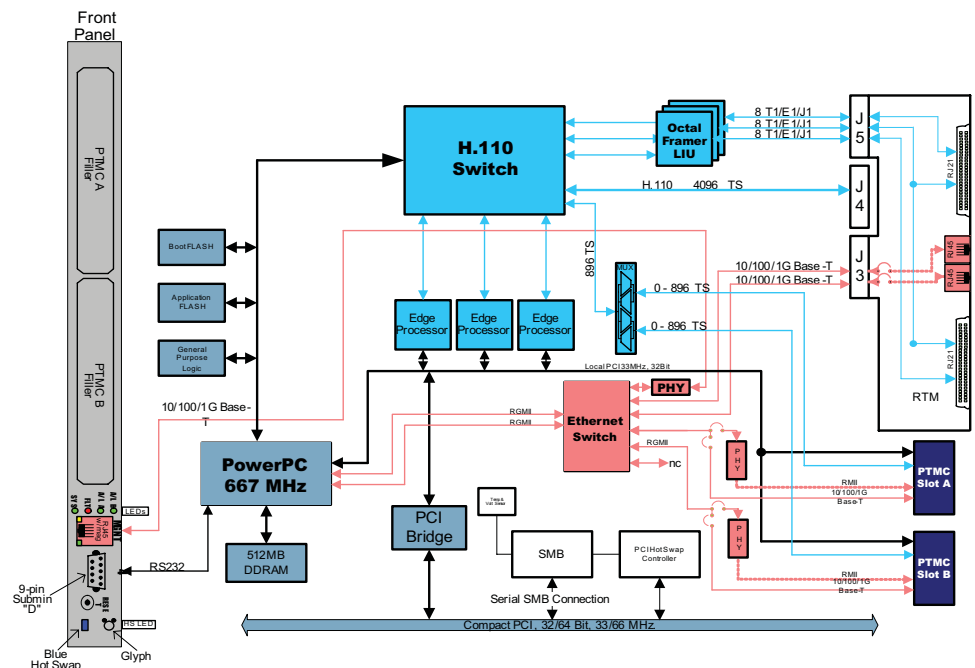
The NexusWare family of products includes:

NexusWare Core: At the very center of the NexusWare suite of software is NexusWare Core, which provides a comprehensive, highly integrated, Linux development, integration and management environment. It is intended for system engineers who use Performance Technologies' embedded products to build packet-based systems, including next-generation wireless and IP based systems.

NexusWare C7: Comprehensive SS7 MTP-2 installable software package for NexusWare Core. NexusWare C7 provides a foundation for building SS7 applications, including next-generation wireless and IP telephony systems, to equipment manufacturers and application developers who use Performance Technologies' embedded products.

NexusWare WAN: Extensive offering of protocol packages including, but not limited to, HDLC, X.25, Frame Relay, and Radar Receiver. When combined with Performance Technologies' embedded products, these will enhance the ability of developers to create flexible and efficient radar gateways, converged serial gateways, and front-end I/O systems.

The WAN software products are offered as installable software packages for NexusWare Core or as turnkey packages for those developers interested in the protocol package by itself. Whether the installable or turnkey solution is chosen, developers will be provided with a well-documented and powerful API to assist in the development process.



CPC324 - Block Diagram

CPC324

Technical Specifications



Interface

- 24 T1 Ports @ 1.544 Mbps
- 24 E1 Ports @ 2.048 Mbps
- 24 J1 Ports @ 1.544 Mbps
- Three 10/100/1000 Ethernet ports

Processor

- 800 MHz PowerPC processor
- 64-bit data and 32-bit address bus

Framing Standards

- AMI/B8ZS
- D-4, ESF
- DS-1, PRI

Memory

- 512 MB dedicated DDR SDRAM
- 32 KB/32 KB instruction/data L1 cache
- 256 KB L2 cache and/or high speed packet/code store
- 128 MB flash PROM

Specification Compliance

- ECTF H.110 hardware compatibility specification: CT Bus revision 1.0
- I2C Bus specification, version 2.1
- IEEE P1386 2.4a March 21, 2001 common mezzanine card family
- IEEE P1386.1 Draft 2.4 Jan 12, 2001 PCI mezzanine cards, PMC
- IEEE Std. 802.3 - 2000 edition CSMA/CD access method and physical layer specification
- IPMI intelligent platform management specification, version 1.5
- JEDEC JESD79C Double Data Rate (DDR) SDRAM specification
- PCI Local Bus specification revision 2.2
- PICMG 2.0 R 3.0 CompactPCI® core specification
- PICMG 2.1 R2.0 hot-swap specification
- PICMG 2.9 R1.0 CompactPCI system management specification
- PICMG 2.15 R1.0: ECN 2.15 PCI telecom mezzanine/carrier card specification
- PICMG 2.16 R1.0 CompactPCI packet-switched backplane
- VITA 32-199x processor PMC standard draft 0.41-compatible

Physical Interface

- T1/E1/J1: 24 T1/E1/J1 port connections via two 50-pin high-density RJ21 telco connectors (12 ports on each connector) on RTM
- Ethernet: Two RJ-45 connectors on RTM, one RJ-45 on front panel
- Monitor: One nine-pin subminiature on front panel

Protocol Support

- MTP2 Link Layer
- Transparent (Voice Stream)
- HDLC
 - LAPD (Q.921), LAPB, LAPF
- X.25
- Frame Relay

Accessories

- RJ21 to RJ21 shielded cable
- RJ21 to 19-inch breakout box

Power

- 26 W maximum
 - 3.3 V supply, 15 W maximum
 - 5 V supply, 10 W maximum
 - +12 V supply, 60 mW maximum
 - -12 V supply, 40 mW maximum

Dimensions

- 6U Eurocard form factor

Temperature

- Operating: 0 to 50°C (32 to 122°F)
- Non-operating: -20 to 80°C (-4 to 176°F)

Agency Certifications

- FCC Class A
- CE
- UL 60950 / EN 60950
- ETSI EN 300 386
- Designed to meet the requirements of NEBS Level 3

Ordering Information

- >> **PT-CPC324-11964**
24-port T1/E1/J1 Advanced Subsystem
- >> **PT-RTM324-11965**
24-port RTM (Two RJ21 Connectors)

Cable Options

- >> **PT-ACC324-11968**
RJ21 to RJ21 Cable
- >> **PT-ACC324-11967**
19-inch Rack-mountable Breakout Box provides two RJ21 and 24 RJ48C Connectors
- >> **PT-ACC324-11977**
CPC324/CPC308/CPC300 Console Cable

Software Options

- >> **PT-NXSWARE-11359**
NexusWare Linux Software
- >> **PT-HDLCKIT-11490**
HDLC Connectivity Kit
- >> **PT-FRAMKIT-11661**
Frame Relay Development Kit
- >> **PT-X25KIT-11612**
X.25 Development Kit

- >> This product is available with a variety of software options. For more information, contact sales@pt.com.



Corporate Headquarters:
Performance Technologies
205 Indigo Creek Drive
Rochester, NY 14626 USA

Tel: 585.256.0200
Fax: 585.256.0791
E-mail: sales@pt.com

www.pt.com



Artisan Technology Group is your source for quality new and certified-used/pre-owned equipment.

- FAST SHIPPING AND DELIVERY
- TENS OF THOUSANDS OF IN-STOCK ITEMS
- EQUIPMENT DEMOS
- HUNDREDS OF MANUFACTURERS SUPPORTED
- LEASING/MONTHLY RENTALS
- CONSIGNMENT

SERVICE CENTER REPAIRS

Experienced engineers and technicians on staff at our full-service, in-house repair center

INSTRAVIEW REMOTE INSPECTION

Remotely inspect equipment before purchasing with our interactive website at www.instraview.com ↗

WE BUY USED EQUIPMENT!

Sell your excess, underutilized, and idle used equipment. We also offer credit for buy-backs and trade-ins!

www.artisanng.com/WeBuyEquipment ↗

LOOKING FOR MORE INFORMATION?

Visit us on the web at www.artisanng.com ↗ for more information on price quotations, drivers, technical specifications, manuals, and documentation!

Contact us: (888) 88-SOURCE | sales@artisanng.com | 101 E. Mercury Drive, Champaign IL 61822