



## Artisan Technology Group is your source for quality new and certified-used/pre-owned equipment

- FAST SHIPPING AND DELIVERY
- TENS OF THOUSANDS OF IN-STOCK ITEMS
- EQUIPMENT DEMOS
- HUNDREDS OF MANUFACTURERS SUPPORTED
- LEASING/MONTHLY RENTALS
- ITAR CERTIFIED SECURE ASSET SOLUTIONS

### SERVICE CENTER REPAIRS

Experienced engineers and technicians on staff at our full-service, in-house repair center

### *InstraView*<sup>SM</sup> REMOTE INSPECTION

Remotely inspect equipment before purchasing with our interactive website at [www.instraview.com](http://www.instraview.com) ↗

### WE BUY USED EQUIPMENT

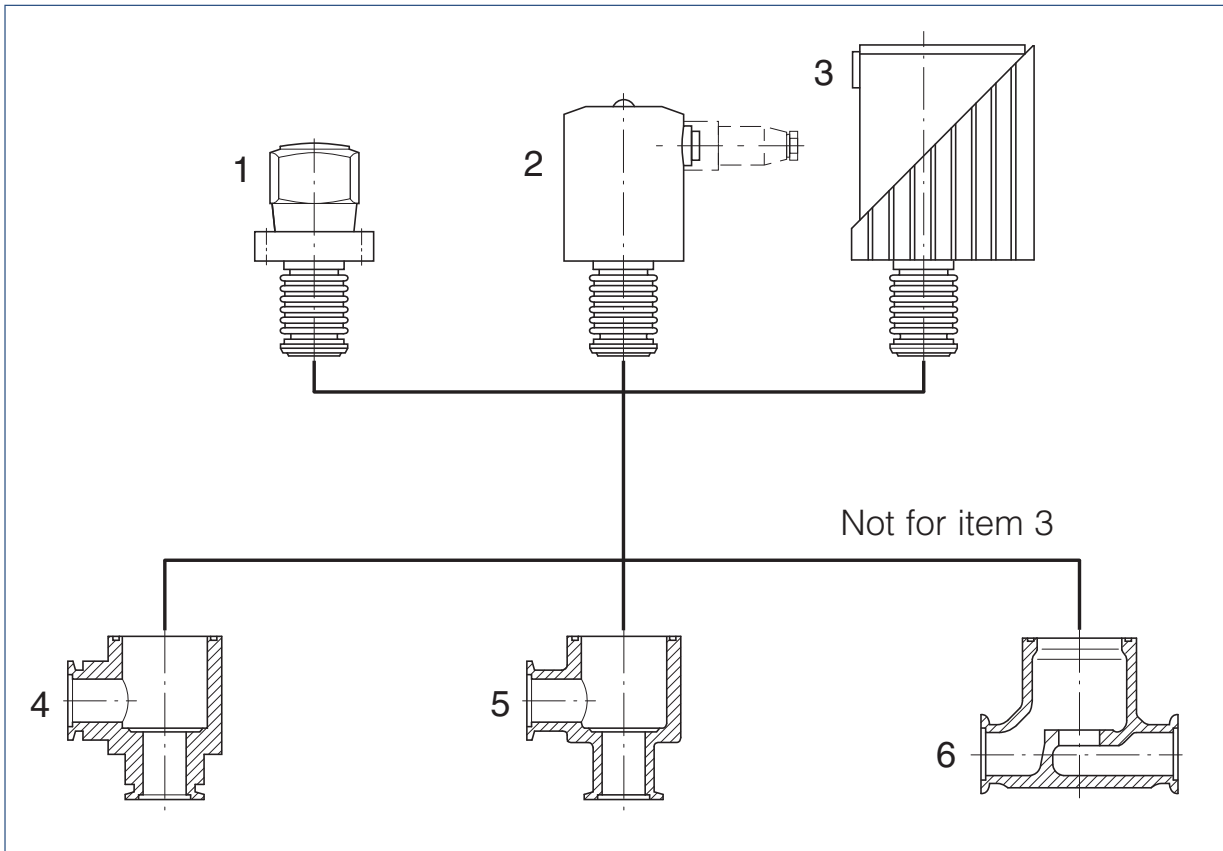
Sell your excess, underutilized, and idle used equipment. We also offer credit for buy-backs and trade-ins. [www.artisanng.com/WeBuyEquipment](http://www.artisanng.com/WeBuyEquipment) ↗

### LOOKING FOR MORE INFORMATION?

Visit us on the web at [www.artisanng.com](http://www.artisanng.com) ↗ for more information on price quotations, drivers, technical specifications, manuals, and documentation

**Contact us:** (888) 88-SOURCE | [sales@artisanng.com](mailto:sales@artisanng.com) | [www.artisanng.com](http://www.artisanng.com)

## Overview



Leybold KF valves are available with any of three drive systems and three types of body having a nominal width of DN 16, 25 and 40 KF.

### Types of drive

- Stepped rotary knob (1) with bellows seal
- Electropneumatic with bellows seal (2)
- Solenoid with bellows seal (3)

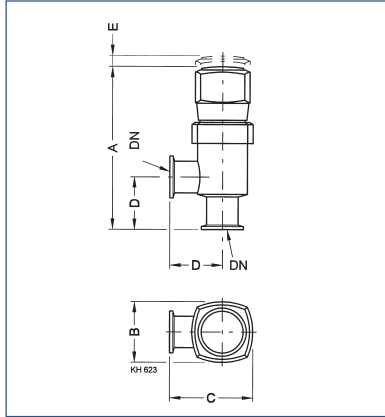
### Types of valve body

- Right-angle valve, aluminum body (4)
- Right-angle valve, stainless steel body (5)
- Straight-through valve, stainless steel body (6)

## Connection Pictograms

- ⊕ Position indicator connection
- ① Compressed air connection
- ⚡ Power connection
- ⊖ Position indicator

# Right-Angle Valves, Bellows-Sealed, Manually Operated



Dimensional drawing for the manually operated, bellows-sealed, right-angle valves

### Dimension table

DN	KF	16	25	40
A	mm	118.3	154.5	173.8
B	mm	44	58	82
C	mm	62	79	106
D	mm	40	50	65
E	mm	5	10	12

### Advantages to the User

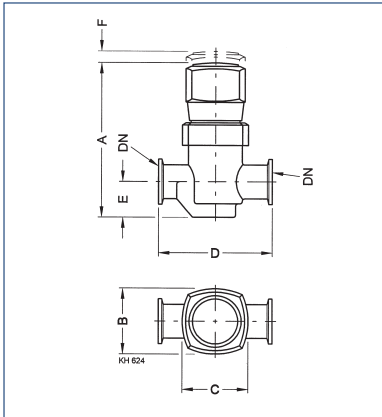
#### Valves with Rotary Knob

Isolation component with handy and easy to operate four position rotary knob

- Permits careful venting of systems
- Suited as a manually operated variable leak valve to roughly control gas flows
- Leak tight in both directions up to a pressure of 2.0 etc. 1.5 bar and easy to open
- Installation in any orientation

Technical Data		DN 16 KF		DN 25 KF		DN 40 KF	
		Aluminum	Stainless steel	Aluminum	Stainless steel	Aluminum	Stainless steel
Service life	cycles	10,000	10,000	10,000	10,000	10,000	10,000
Conductance at molecular flow	$l \times s^{-1}$	4.5	4.5	16.0	16.0	40.0	40.0
Leak rate	$mbar \times l \times s^{-1}$	$1 \times 10^{-9}$	$1 \times 10^{-9}$	$1 \times 10^{-9}$	$1 \times 10^{-9}$	$1 \times 10^{-9}$	$1 \times 10^{-9}$
Operating pressure range	mbar	$10^{-8}$ - 2000	$10^{-8}$ - 2000	$10^{-8}$ - 2000	$10^{-8}$ - 2000	$10^{-8}$ - 2000	$10^{-8}$ - 1500
Differential pressure, closing and opening direction	bar	2.0 / 2.0	2.0 / 2.0	2.0 / 2.0	2.0 / 2.0	2.0 / 2.0	2.0 / 1,5
Opening against differential pressure	bar	2	2	3	3	4	4
Ambient / operating temperature, max.	°C	50	50	50	50	50	50
Seal		FPM	FPM	FPM	FPM	FPM	FPM
Weight	kg	0.30	0.43	0.40	0.68	0.55	1.35
Ordering Information		DN 16 KF		DN 25 KF		DN 40 KF	
		Aluminum	Stainless steel	Aluminum	Stainless steel	Aluminum	Stainless steel
Right-Angle Valve, rotary knob							
	aluminum body	Part No. 285 30	-	Part No. 285 31	-	Part No. 285 32	
	stainless steel body	-	Part No. 286 30	-	Part No. 286 31	-	Part No. 286 32
Spare parts							
	Seal kit	Part No. 215 025	Part No. 215 025	Part No. 215 075	Part No. 215 075	Part No. 215 125	Part No. 215 125
	Inside section	Part No. 215 042	Part No. 215 042	Part No. 215 092	Part No. 215 092	Part No. 215 142	Part No. 215 142

## Straight-Through Valves, Bellows-Sealed, Manually Operated



Dimensional drawing for the manually operated, bellows-sealed straight-through valves

Dimension table

DN	KF	16	25	40
A	mm	100.3	136.0	154.3
B	mm	44	58	82
C	mm	44	58	82
D	mm	80	100	130
E	mm	22	31.5	44,5
F	mm	5	10	12

### Advantages to the User

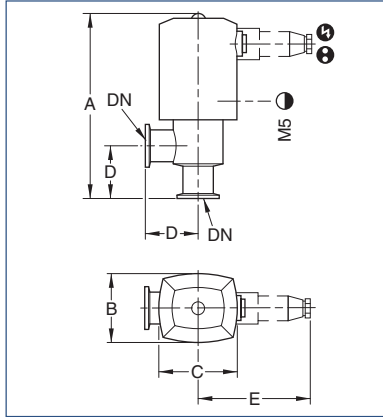
#### Valves with Rotary Knob

Isolation component with handy and easy to operate four position rotary knob

- Permits careful venting of systems
- Suited as a manually operated variable leak valve to roughly control gas flows
- Leak tight in both directions up to a pressure of 2.0 etc. 1.5 bar and easy to open
- Installation in any orientation

Technical Data		DN 16 KF Stainless steel	DN 25 KF Stainless steel	DN 40 KF Stainless steel
Service life	cycles	10,000	10,000	10,000
Conductance at molecular flow	$l \times s^{-1}$	2.5	8.0	20.0
Leak rate	$mbar \times l \times s^{-1}$	$1 \times 10^{-9}$	$1 \times 10^{-9}$	$1 \times 10^{-9}$
Operating pressure range	mbar	$10^{-8} / 2000$	$10^{-8} / 2000$	$10^{-8} / 1500$
Differential pressure, closing and opening direction	bar	2.0 / 2.0	2.0 / 2.0	2.0 / 1.5
Opening against differential pressure	bar	2	3	4
Ambient / operating temperature, max.	°C	50	50	50
Seal		FPM	FPM	FPM
Weight	kg	0.48	0.70	1.40
Ordering Information		DN 16 KF Stainless steel	DN 25 KF Stainless steel	DN 40 KF Stainless steel
Straight-Through Valve, rotary knob Stainless steel body		Part No. 286 00	Part No. 286 01	Part No. 286 02
Spare parts				
Seal kit		Part No. 215 025	Part No. 215 075	Part No. 215 125
Inside section		Part No. 215 042	Part No. 215 092	Part No. 215 142

## Right-Angle Valves, Bellows-Sealed, Electropneumatically Operated



Dimensional drawing for the aluminum right-angle valves with built-in pilot valve

Dimension table

DN	KF	16	25	40
A	mm	154.0	176.0	196.5
B	mm	51	63	83
C	mm	60	74	98
D	mm	40	50	65
E	mm	100	108	120
⌀	mm	⌀ 4	⌀ 4	⌀ 4

### Advantages to the User

- Quiet opening and closing action with very little vibration
- Short opening and closing times
- Optical valve position indicator as standard
- Very low leak rate and insensitive to particles owing to bellows seal. Always closed in case the compressed air supply fails
- Electric position indicator is standard
- With and without pilot valve as standard
- Standard electrical and compressed air connections
- Protection class IP 50
- The valves are closed by the restoring force of a spring
- Installation in any orientation and no restrictions as to the direction of flow

Technical Data		DN 16 KF		DN 25 KF		DN 40 KF	
		Aluminum	Stainless steel	Aluminum	Stainless steel	Aluminum	Stainless steel
Service life	cycles	10 mio.	10 mio.	10 mio.	10 mio.	10 mio.	10 mio.
Conductance at molecular flow	$l \times s^{-1}$	4.5	4.5	16.0	16.0	40.0	40.0
Leak rate	$mbar \times l \times s^{-1}$	$1 \times 10^{-9}$	$1 \times 10^{-9}$	$1 \times 10^{-9}$	$1 \times 10^{-9}$	$1 \times 10^{-9}$	$1 \times 10^{-9}$
Operating pressure range	mbar	$10^{-8}$ - 2000	$10^{-8}$ - 2000	$10^{-8}$ - 2000	$10^{-8}$ - 2000	$10^{-8}$ - 1500	$10^{-8}$ - 1500
Differential pressure, closing and opening direction	bar	4.0 / 2.0	4.0 / 2.0	4.0 / 2.0	4.0 / 2.0	2.0 / 1.5	2.0 / 1.5
Opening against differential pressure at the valve disk	bar	4	4	4	4	2	2
Ambient / Operating temperature, max.	°C	50	50	50	50	50	50
Seal		FPM	FPM	FPM	FPM	FPM	FPM
Closing time / opening time	ms	200 / 100	200 / 100	290 / 110	290 / 110	250 / 150	250 / 150
Switching frequency	1/min	100	100	100	100	75	75
Electrical position indicator, load capacity	V AC / A V DC / A	250 / 0.1 50 / 0.25	250 / 0.1 50 / 0.25	250 / 0.1 50 / 0.25	250 / 0.1 50 / 0.25	250 / 0.1 50 / 0.25	250 / 0.1 50 / 0.25
Compressed air, overpressure	bar	3 to 5	3 to 5	3 to 5	3 to 5	3 to 6	3 to 6
Air cylinder, volume	cm <sup>3</sup>	5.5	5.5	12.1	12.1	26.2	26.2
Compressed air connection	mm	4 and 6	4 and 6	4 and 6	4 and 6	4 and 6	4 and 6
Weight, with pilot valve	kg	0.3	0.4	0.4	0.7	0.9	1.6
Ordering Information		DN 16 KF		DN 25 KF		DN 40 KF	
		Aluminum	Stainless steel	Aluminum	Stainless steel	Aluminum	Stainless steel
Right-angle valves, bellows sealed, electropneumatic drive without pilot valve							
Aluminum body		Part No. 287 15	-	Part No. 287 16	-	Part No. 287 17	-
Stainless steel body		-	Part No. 288 15	-	Part No. 288 16	-	Part No. 288 17
with pilot valve							
24 V DC, aluminum body		Part No. 287 45	-	Part No. 287 46	-	Part No. 287 47	-
24 V DC, stainless steel body		-	Part No. 288 45	-	Part No. 288 46	-	Part No. 288 47
24 V AC, aluminum body		Part No. 287 28	-	Part No. 287 29	-	Part No. 287 30	-
24 V AC, stainless steel body		-	Part No. 288 28	-	Part No. 288 29	-	Part No. 288 30
100 - 115 V AC, aluminum body		Part No. 287 55	-	Part No. 287 56	-	Part No. 287 57	-
100 - 115 V AC, stainless steel body		-	Part No. 288 55	-	Part No. 288 56	-	Part No. 288 57
200 - 240 V AC, aluminum body		Part No. 287 75	-	Part No. 287 76	-	Part No. 287 77	-
200 - 240 V AC, stainless steel body		-	Part No. 288 35	-	Part No. 288 36	-	Part No. 288 37
Spare parts							
Seal kit		Part No. 215 025	Part No. 215 025	Part No. 215 075	Part No. 215 075	Part No. 215 125	Part No. 215 125
Inside section		Part No. 215 027	Part No. 215 027	Part No. 215 077	Part No. 215 077	Part No. 215 127	Part No. 215 127



## Artisan Technology Group is your source for quality new and certified-used/pre-owned equipment

- FAST SHIPPING AND DELIVERY
- TENS OF THOUSANDS OF IN-STOCK ITEMS
- EQUIPMENT DEMOS
- HUNDREDS OF MANUFACTURERS SUPPORTED
- LEASING/MONTHLY RENTALS
- ITAR CERTIFIED SECURE ASSET SOLUTIONS

### SERVICE CENTER REPAIRS

Experienced engineers and technicians on staff at our full-service, in-house repair center

### *InstraView*<sup>SM</sup> REMOTE INSPECTION

Remotely inspect equipment before purchasing with our interactive website at [www.instraview.com](http://www.instraview.com) ↗

### WE BUY USED EQUIPMENT

Sell your excess, underutilized, and idle used equipment. We also offer credit for buy-backs and trade-ins. [www.artisanng.com/WeBuyEquipment](http://www.artisanng.com/WeBuyEquipment) ↗

### LOOKING FOR MORE INFORMATION?

Visit us on the web at [www.artisanng.com](http://www.artisanng.com) ↗ for more information on price quotations, drivers, technical specifications, manuals, and documentation

**Contact us:** (888) 88-SOURCE | [sales@artisanng.com](mailto:sales@artisanng.com) | [www.artisanng.com](http://www.artisanng.com)