



Artisan Technology Group is your source for quality new and certified-used/pre-owned equipment

- FAST SHIPPING AND DELIVERY
- TENS OF THOUSANDS OF IN-STOCK ITEMS
- EQUIPMENT DEMOS
- HUNDREDS OF MANUFACTURERS SUPPORTED
- LEASING/MONTHLY RENTALS
- ITAR CERTIFIED SECURE ASSET SOLUTIONS

SERVICE CENTER REPAIRS

Experienced engineers and technicians on staff at our full-service, in-house repair center

*InstraView*SM REMOTE INSPECTION

Remotely inspect equipment before purchasing with our interactive website at www.instraview.com ↗

WE BUY USED EQUIPMENT

Sell your excess, underutilized, and idle used equipment. We also offer credit for buy-backs and trade-ins. www.artisanng.com/WeBuyEquipment ↗

LOOKING FOR MORE INFORMATION?

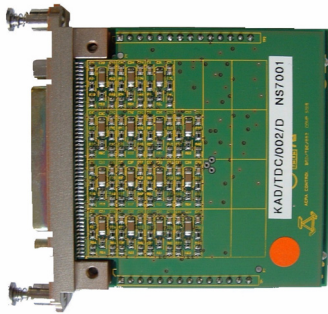
Visit us on the web at www.artisanng.com ↗ for more information on price quotations, drivers, technical specifications, manuals, and documentation

Contact us: (888) 88-SOURCE | sales@artisanng.com | www.artisanng.com

KAD/TDC/002/D

15-ch. thermocouple A/D converter with reference compensation

FEATURES



- 15 thermocouple (T/C) input channels
- Compensation block temperature measurement
- $\pm 0.3\%$ accuracy for K-type T/C
- Digital reference junction compensation
- Programmable T/C type (per module)
- Better than 12-bit resolution

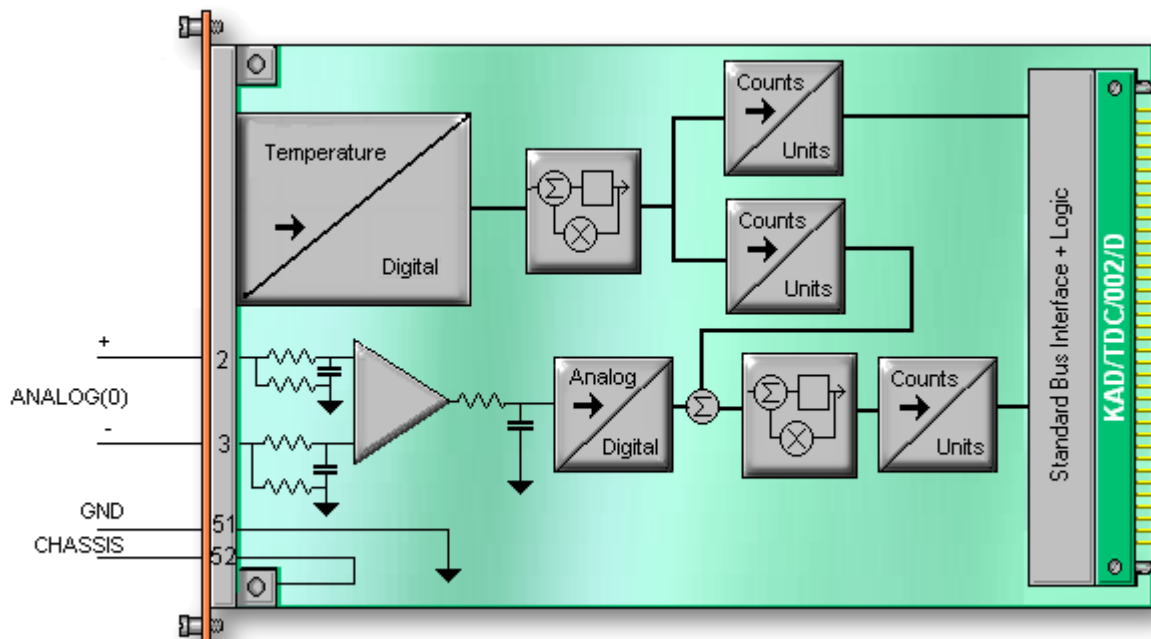
2

DESCRIPTION

The KAD/TDC/002/D is used to digitize up to 15 thermocouple channels and the compensation block temperature. Note the compensation block refers to the double-density connector.

The compensation block temperature is a signal indicating the temperature of the compensation block. This signal is digitized and put to 2 x 65536 point linearization tables. One is used to produce a compensation value to add or subtract from the other 15 channels (this table is T/C type specific) and the other is used to scale the compensation block temperature between -55°C and $+125^{\circ}\text{C}$.

The compensation offset is removed from each of the T/C channels. Each T/C channel is then linearized using a 65536 point linearization table specific to the thermocouple type selected. Finally, all channels are scaled to the selected range.



Compensation channel plus first of 15 T/C channels



Artisan Technology Group is your source for quality new and certified-used/pre-owned equipment

- FAST SHIPPING AND DELIVERY
- TENS OF THOUSANDS OF IN-STOCK ITEMS
- EQUIPMENT DEMOS
- HUNDREDS OF MANUFACTURERS SUPPORTED
- LEASING/MONTHLY RENTALS
- ITAR CERTIFIED SECURE ASSET SOLUTIONS

SERVICE CENTER REPAIRS

Experienced engineers and technicians on staff at our full-service, in-house repair center

*InstraView*SM REMOTE INSPECTION

Remotely inspect equipment before purchasing with our interactive website at www.instraview.com ↗

WE BUY USED EQUIPMENT

Sell your excess, underutilized, and idle used equipment. We also offer credit for buy-backs and trade-ins. www.artisanng.com/WeBuyEquipment ↗

LOOKING FOR MORE INFORMATION?

Visit us on the web at www.artisanng.com ↗ for more information on price quotations, drivers, technical specifications, manuals, and documentation

Contact us: (888) 88-SOURCE | sales@artisanng.com | www.artisanng.com